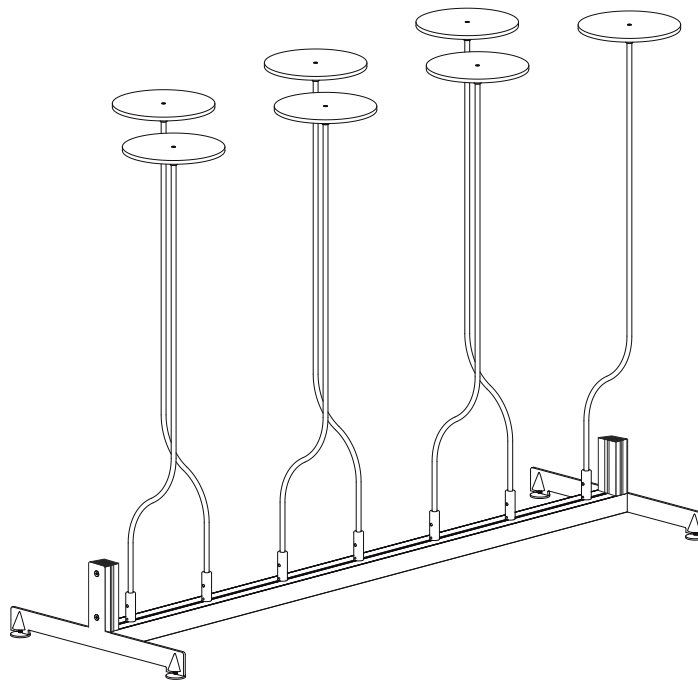
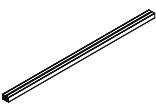
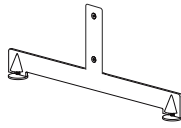
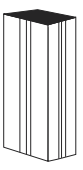

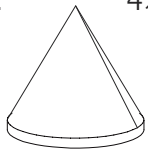
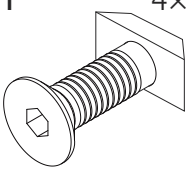
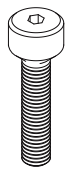
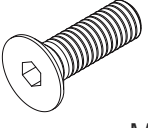
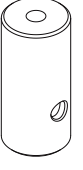
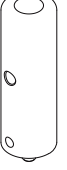
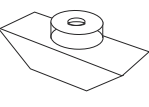
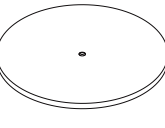
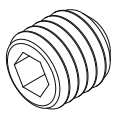
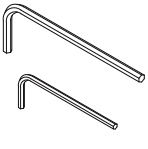
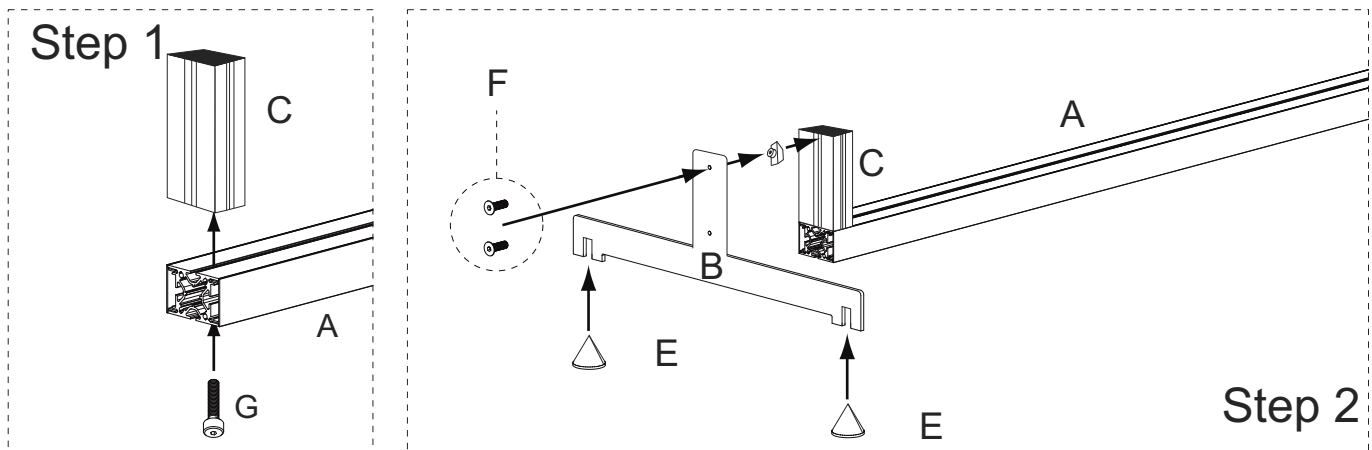
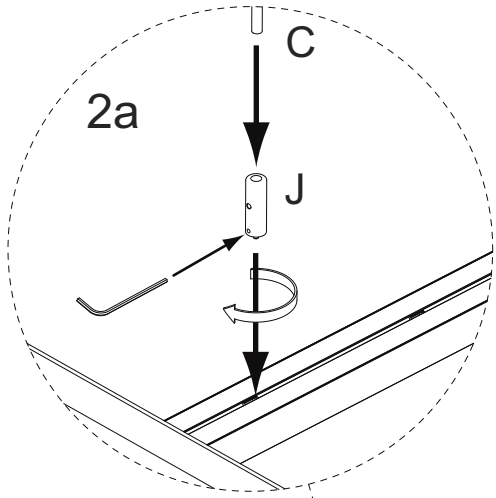


S15

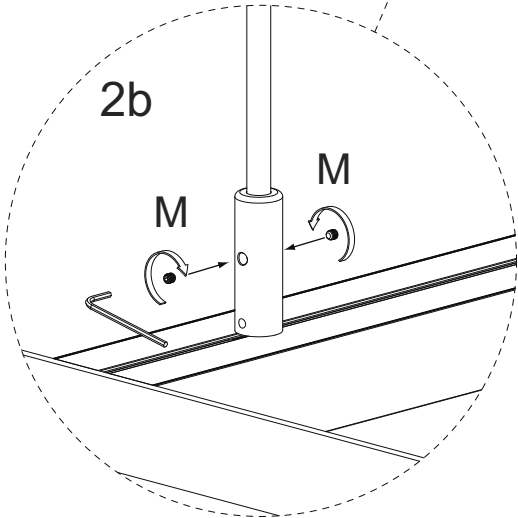
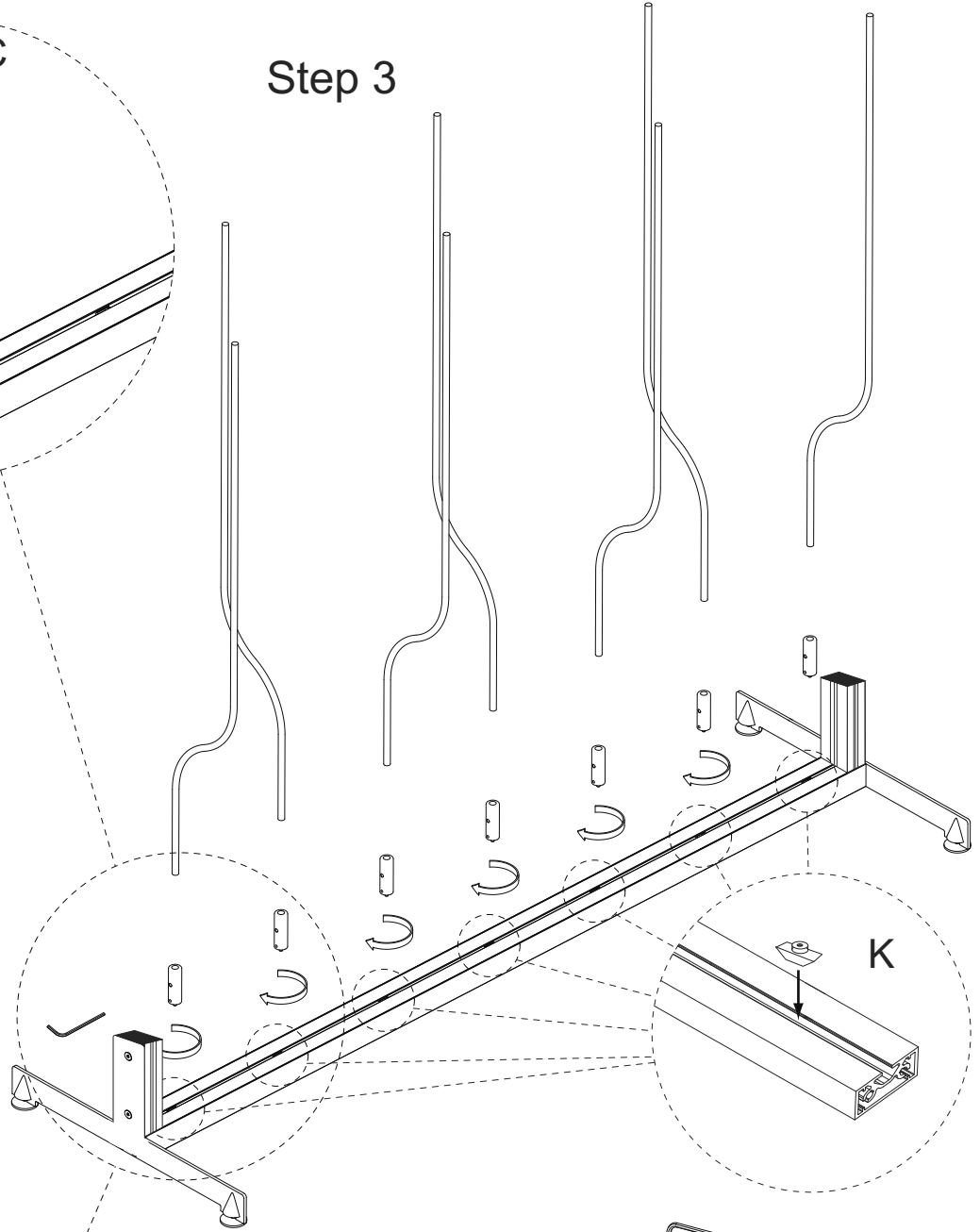


A 1x 	B 2x 	C 2x 	D 7x 	E 4x 	F 4x 	G 2x 
H 7x  M4	I 7x 	J 7x 	K 7x 	L 7x 	M 14x 	N 14x 





Step 3



Step 4

