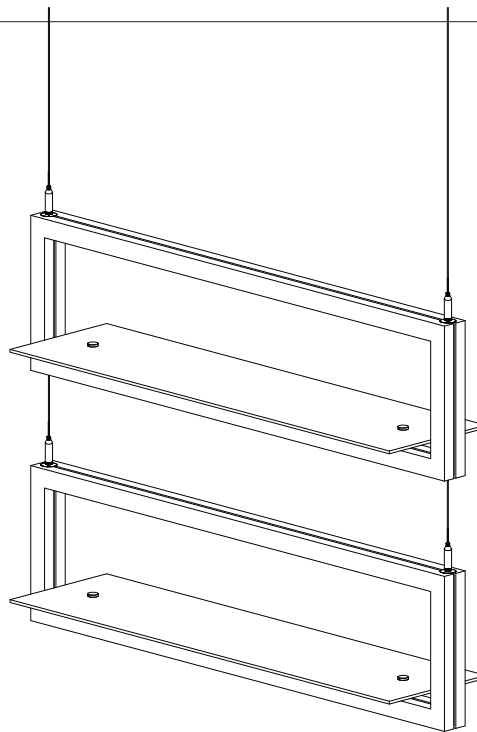
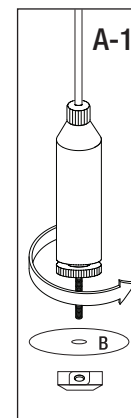
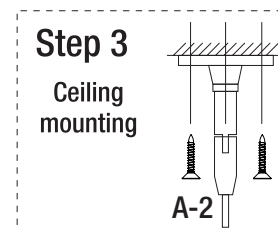
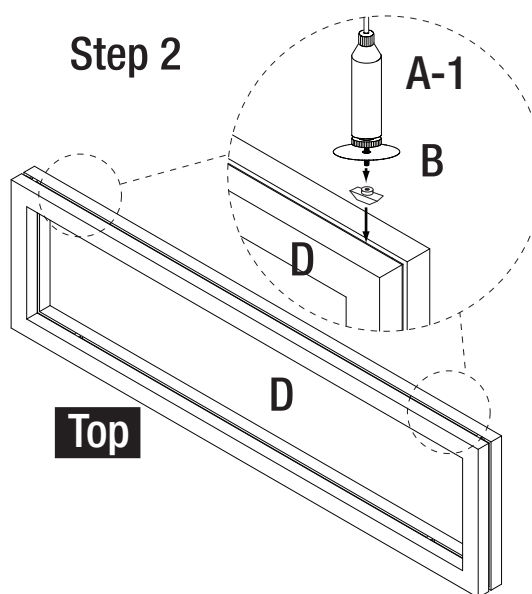
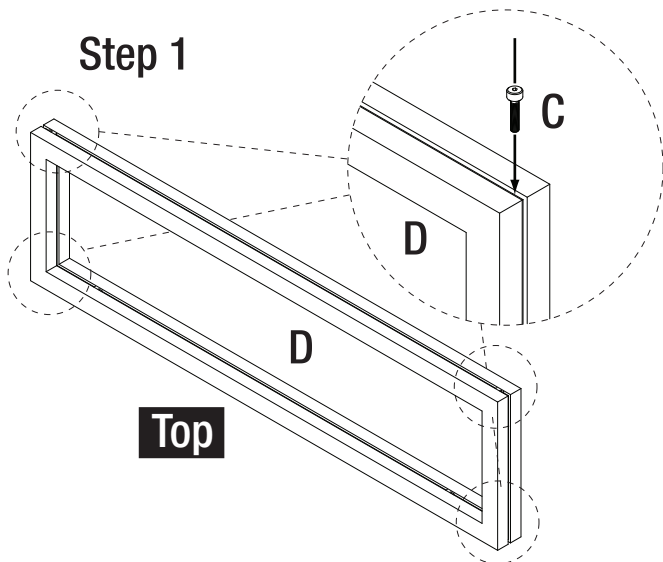


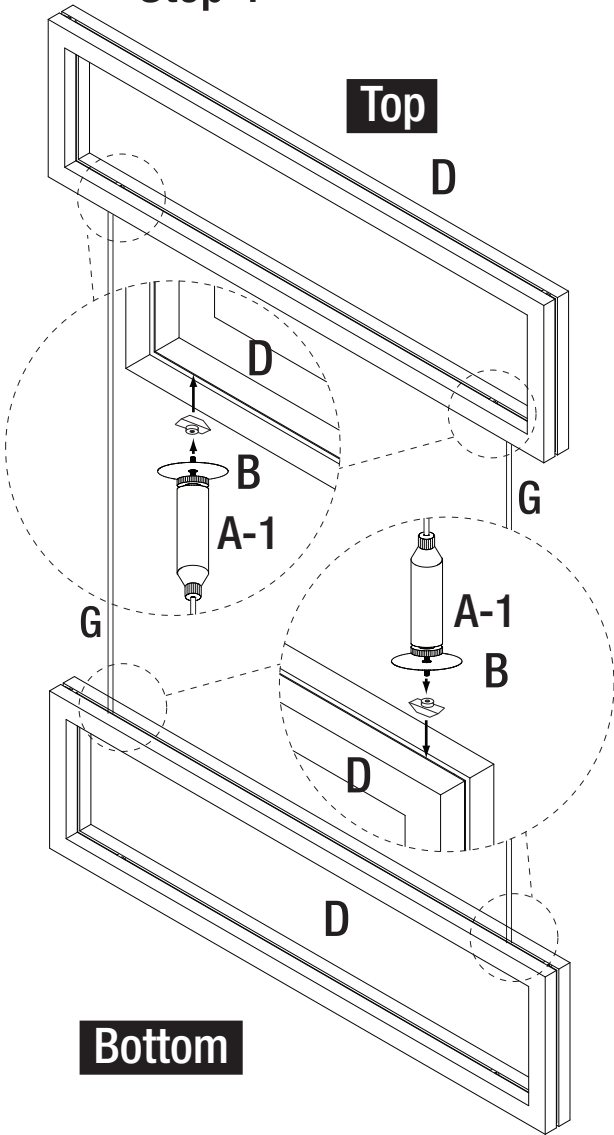
S9A / S12A / S15A



<p>A-1 6x</p>	<p>A-2 2x</p>	<p>B</p>	<p>C 8x</p>	<p>D 8x</p>	<p>E</p>	<p>F S15A - 6x S9A / S12A - 4x</p>	<p>G 2x</p>	<p>H 1x</p>
----------------------	----------------------	-----------------	--------------------	--------------------	-----------------	---	--------------------	--------------------



Step 4



Step 5

