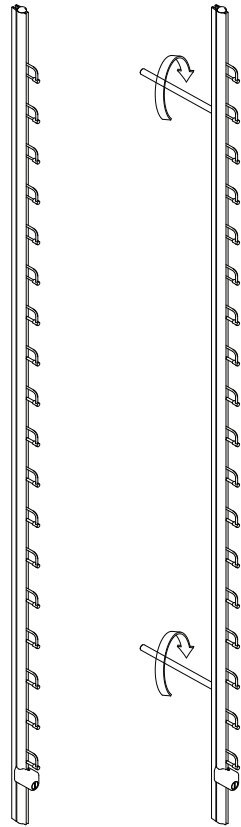
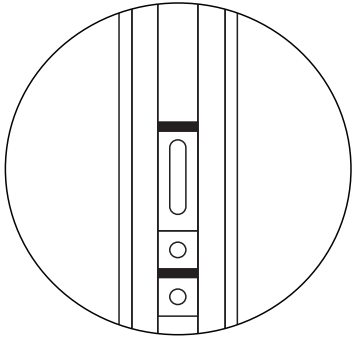


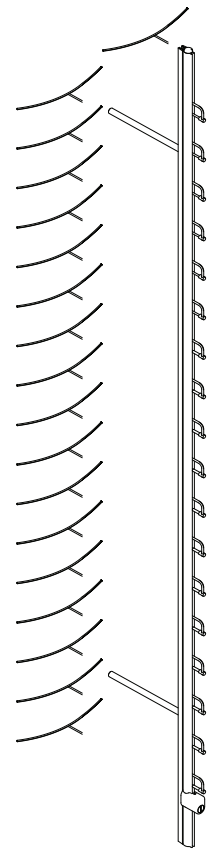
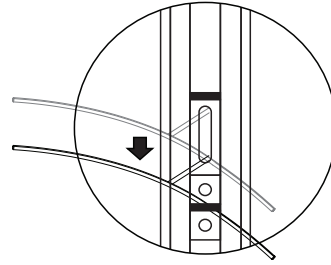
PDDL.15.LK and PDDL.18.OP

Step 1



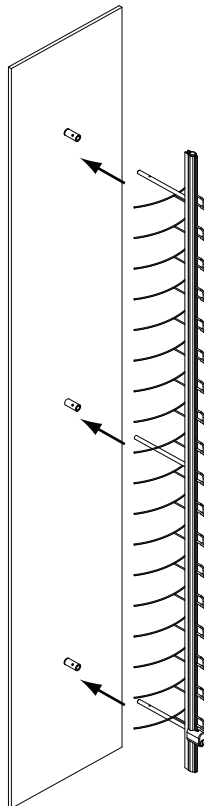
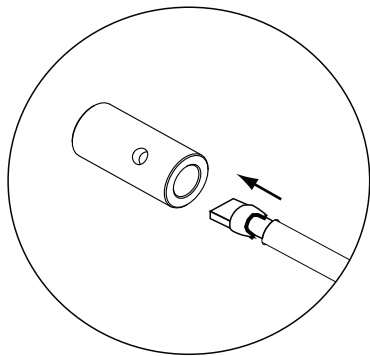
Please find the movable iron chip on the back of the rod. Then fix the stainless-steel pole in the holes on the chip. Move the poles to suitable position which match the bolts set up earlier.

Step 2



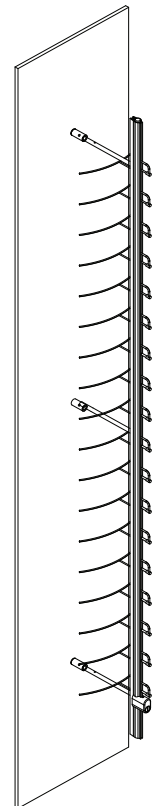
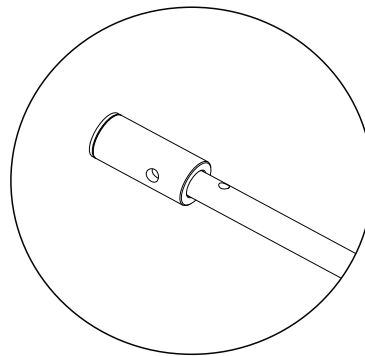
Put the frame holders into the groove

Step 3



Put the both mounting rods (2pcs) into the bolts on the panel board

Step 4



Tight screws (2pcs) on the bolts

