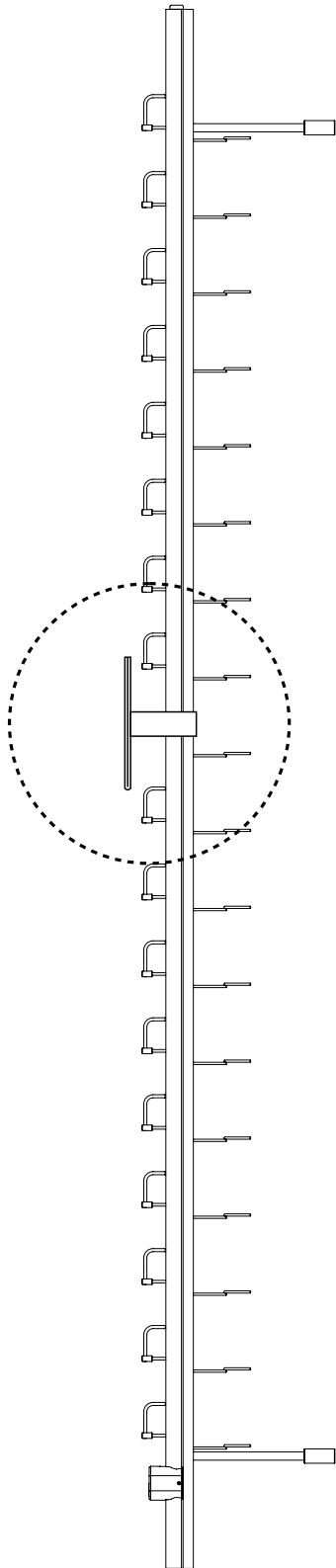
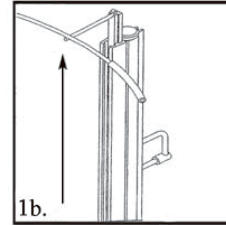
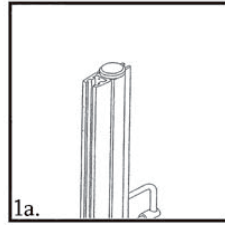


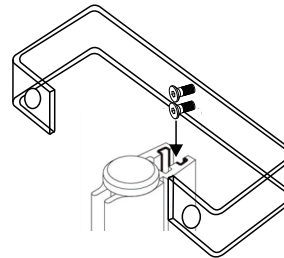
3D Sign Holder



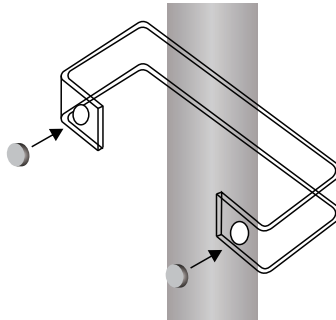
1 remove temple holders to where you want the sign holder attached



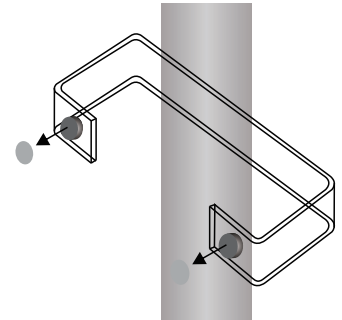
2 attach m4 nut and screw loosely to the bracket and slide into slot #2 on the rod, once in location tighten allen screws.



3 attach south or north magnets to the face of the bracket with the double back tape (tape already applied to the magnets)



4 put the south or north magnet onto the attached magnet and remove double back tape.



5 center sign holder and press onto double back tape

