

- 1.) WIRE SIZE
 MEASURE 20 COILS = DIVIDE BY 20 = EQUALS WIRE DIAMETER
 EXAMPLE:
 MEASURE 20 COILS = DIVIDE BY 20 = EQUALS WIRE DIAMETER
- 2.) SPRING DIAMETER
 MEASURE ACROSS INSIDE OF SPRING (TYPICAL USDOOR MDL 501 SPRING IS 3 3/8" ID)
 3.) SPRING LENGTH
 MEASURE TOTAL LENGTH OF SPRING AT REST (DISCONNECTED IN NEUTRAL POSITION)
- 4.) DETERMINE IF THE PREVIOUS SPRING WAS THE PROPER LENGTH.
 MEASURE FROM MOUNTING SURFACE OF DRUM TO BRACKET PLATE OR SHAFT COLLAR;
 THIS DISTANCE MUST EQUAL: SPRING LENGTH PLUS 2" OR MORE (SEE FIGURE 4)
- 5.) DETERMINE THE HAND
 NOTE POSITION OF SPRING LOOP & DIRECTION SPRING IS WOUND (SEE FIGURE 5).
- 6.) MEASURE YOUR DOOR OPENING
 MEASURE THE ROUGH OPENING WIDTH x HEIGHT FOR REFERENCE.
- 7.) ALWAYS REPLACE MULTI SPRING DOOR SPRINGS IN PAIRS.

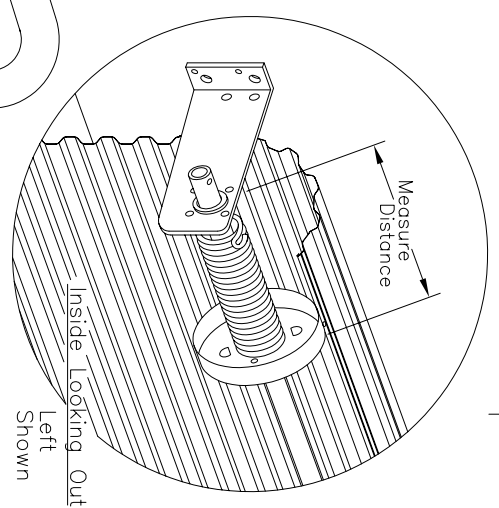
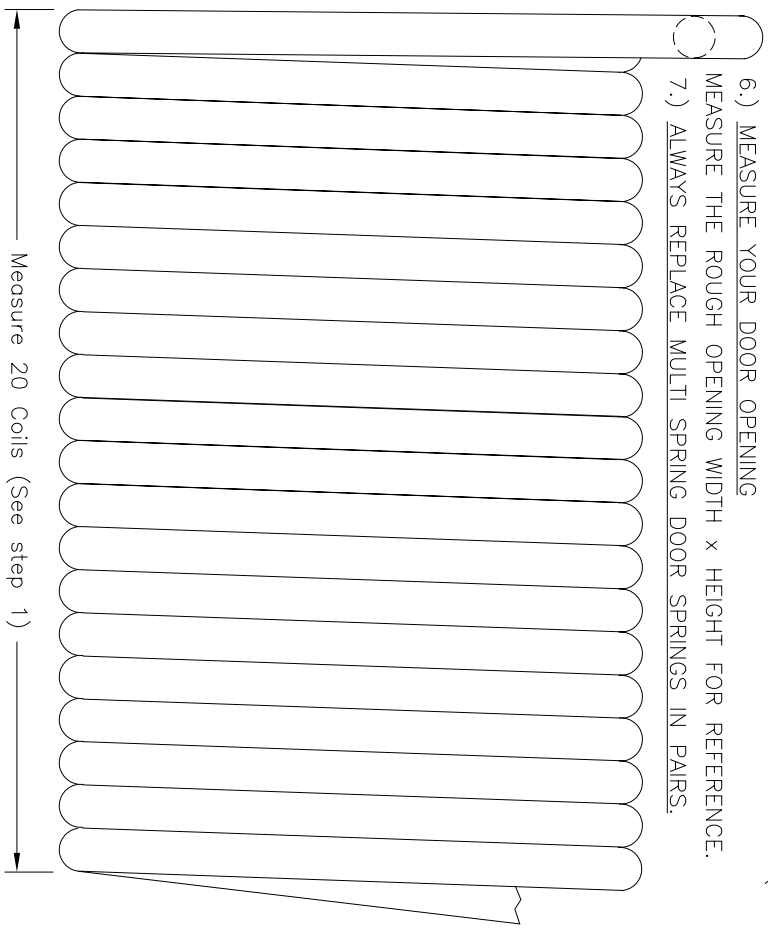


FIGURE 4

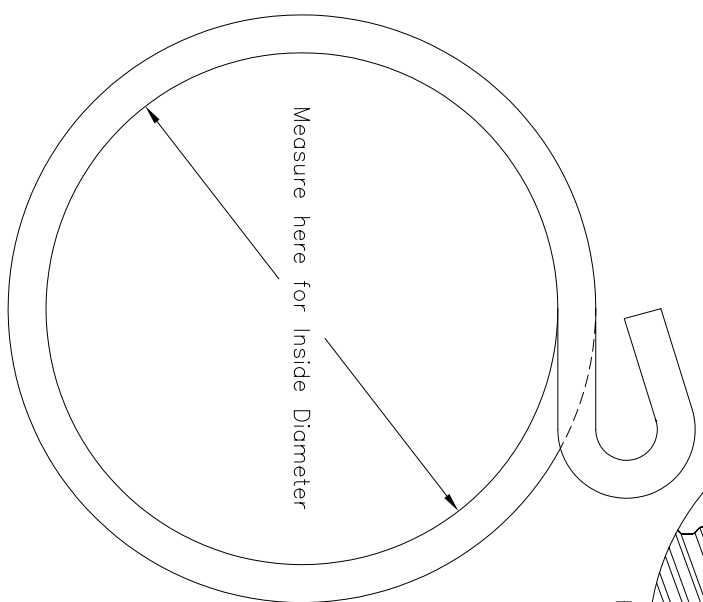


FIGURE 5
 LEFT WOUND SHOWN – RIGHT OPPOSITE

US DOOR **roll·lite**
 & BUILDING COMPONENTS 10407 Rocket Blvd. Orlando, FL 32824
 407-859-6770 Website www.usdoor.com

roll·lite
STORAGE SYSTEMS

DIMENSIONAL TOLERANCES IN INCHES		SCALE:	NONE	PART NUMBER:	MANUFACTURED / PURCHASED
① = ±.032	③ = ±.094	DATE:	01-18-05	N.A.	PURCHASED
② = ±.063	④ = ±.125	DRAWN BY:	CDW	MINI DOOR SPRING MEASURING INFO.	
ALL DIMENSIONS SHOWN ARE IN INCHES		CHECKED BY:	GOG	A	DRAWING NUMBER / FILE NAME:
The arrangements depicted herein are the sole property of US DOOR & BUILDING COMPONENTS and may not be reproduced in any form without it's written permission.		U160028			