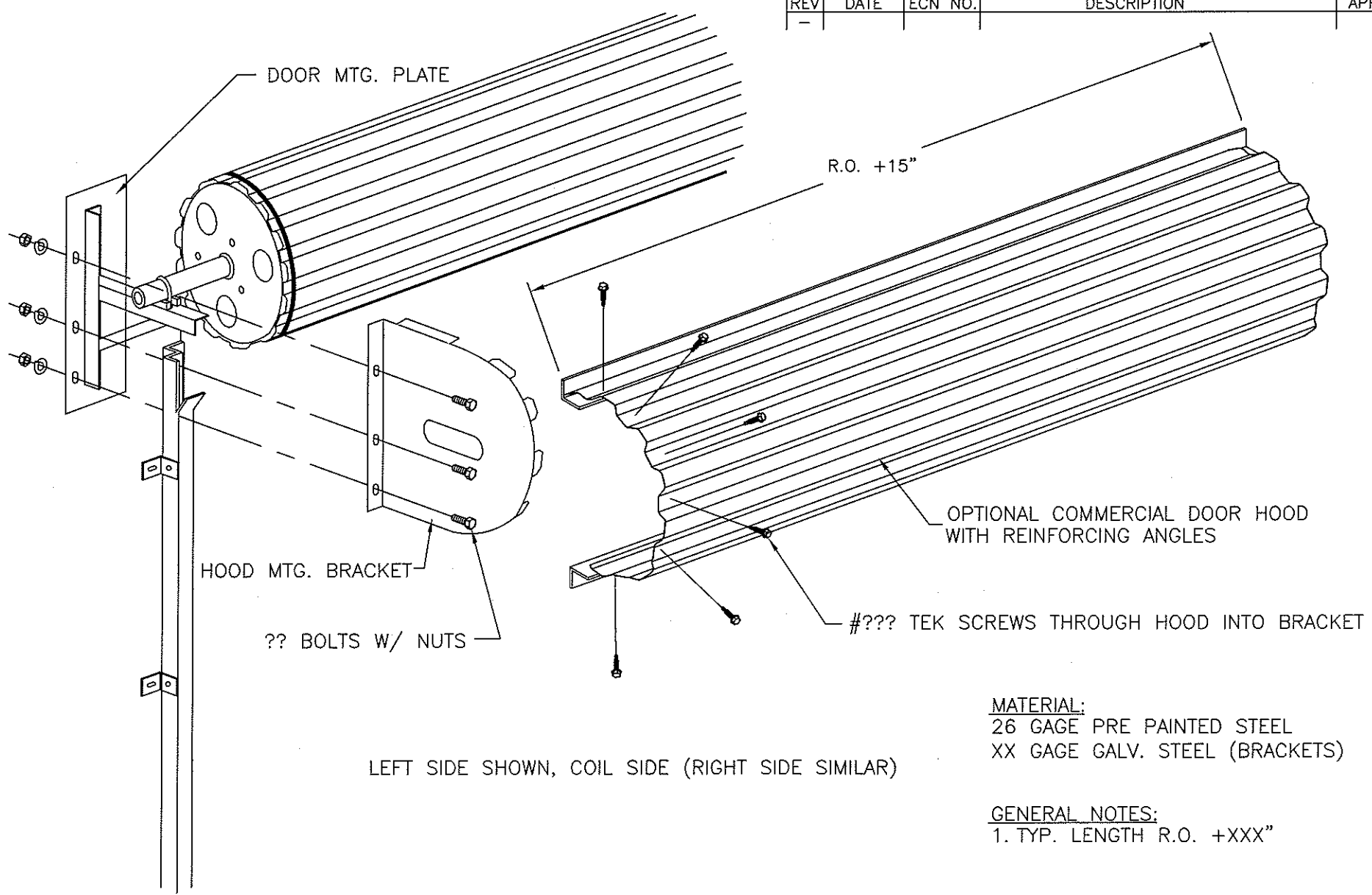


REV	DATE	ECN NO.	DESCRIPTION	APPVD:
-				



HOOD MTG. BRACKET

?? BOLTS W/ NUTS

OPTIONAL COMMERCIAL DOOR HOOD WITH REINFORCING ANGLES

#??? TEK SCREWS THROUGH HOOD INTO BRACKET

LEFT SIDE SHOWN, COIL SIDE (RIGHT SIDE SIMILAR)

MATERIAL:  
 26 GAGE PRE PAINTED STEEL  
 XX GAGE GALV. STEEL (BRACKETS)

GENERAL NOTES:  
 1. TYP. LENGTH R.O. +XXX"

**US DOOR** *roll·lite*  
 STORAGE SYSTEMS  
 & BUILDING COMPONENTS 10407 Rocket Blvd. Orlando, FL 32824  
 407-859-6770 Website www.usdoor.com

DIMENSIONAL TOLERANCES IN INCHES	
① = ±.032	③ = ±.094
② = ±.063	④ = ±.125
ALL DIMENSIONS SHOWN ARE IN INCHES	
The arrangements depicted herein are the sole property of US DOOR & BUILDING COMPONENTS and may not be reproduced in any form without it's written permission.	

SCALE:	NONE
DATE:	02-10-04
DRAWN BY:	CDW
CHECKED BY:	-

PART NUMBER:	N.A.	MANUFACTURED / PURCHASED	MANUFACTURED
DESCRIPTION			
Commercial Hood Installation			
DRAWING NUMBER / FILE	NUMBER OF SHEETS		
A 02-10-04	1 OF 1		