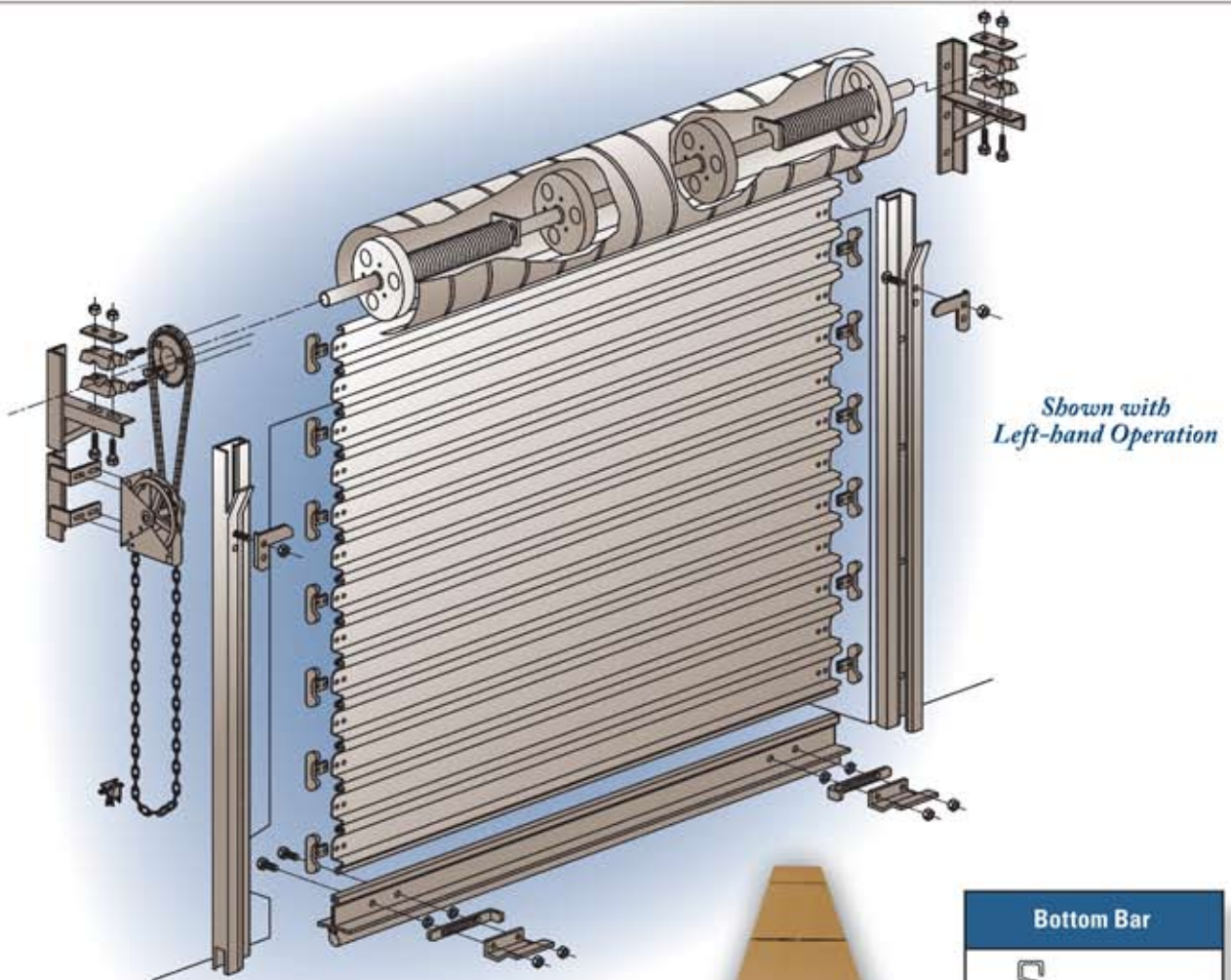


U.S. Door
& Building Components

Rolling Steel Slat-Type Doors

The 700/701 Model

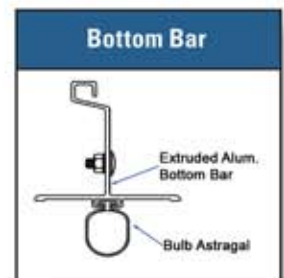


Features

- Fully enclosed 12-inch grade 80 galvanized steel barrel.
- 3-inch replaceable flat or curved slats made from 24-gauge hot-dipped galvanized steel.
- Individual slats can be replaced easily if damaged by equipment traffic insuring security, safety and long-lasting aesthetic appeal.
- Extruded aluminum bottom bar with integral reinforcement includes a two part posi-lock door stop for additional safety.
- Full width PVC bulb-type astragal provides seal for irregular floors.
- High-tensile, roll-formed 14-gauge hot-dipped galvanized guides.
- UHM Nylon endlocks standard; reduce friction and noise and provides curtain alignment during operation. Cast steel endlocks on windload doors.
- Available in sizes up to 14 feet (4267 mm) wide and 14 feet (4267 mm) high.
- Reduced drive chain hoist standard on all sizes over 100 sq. feet; optional electric operators provide maximum opening convenience and effortless operation.
- Optional 20-gauge hex-shaped hood assembly available.
- EZ-Install exclusive packaging protects the door until final installation is complete.
- Factory pre-stretched and pre-lubricated springs.



EZ-Install Packaging

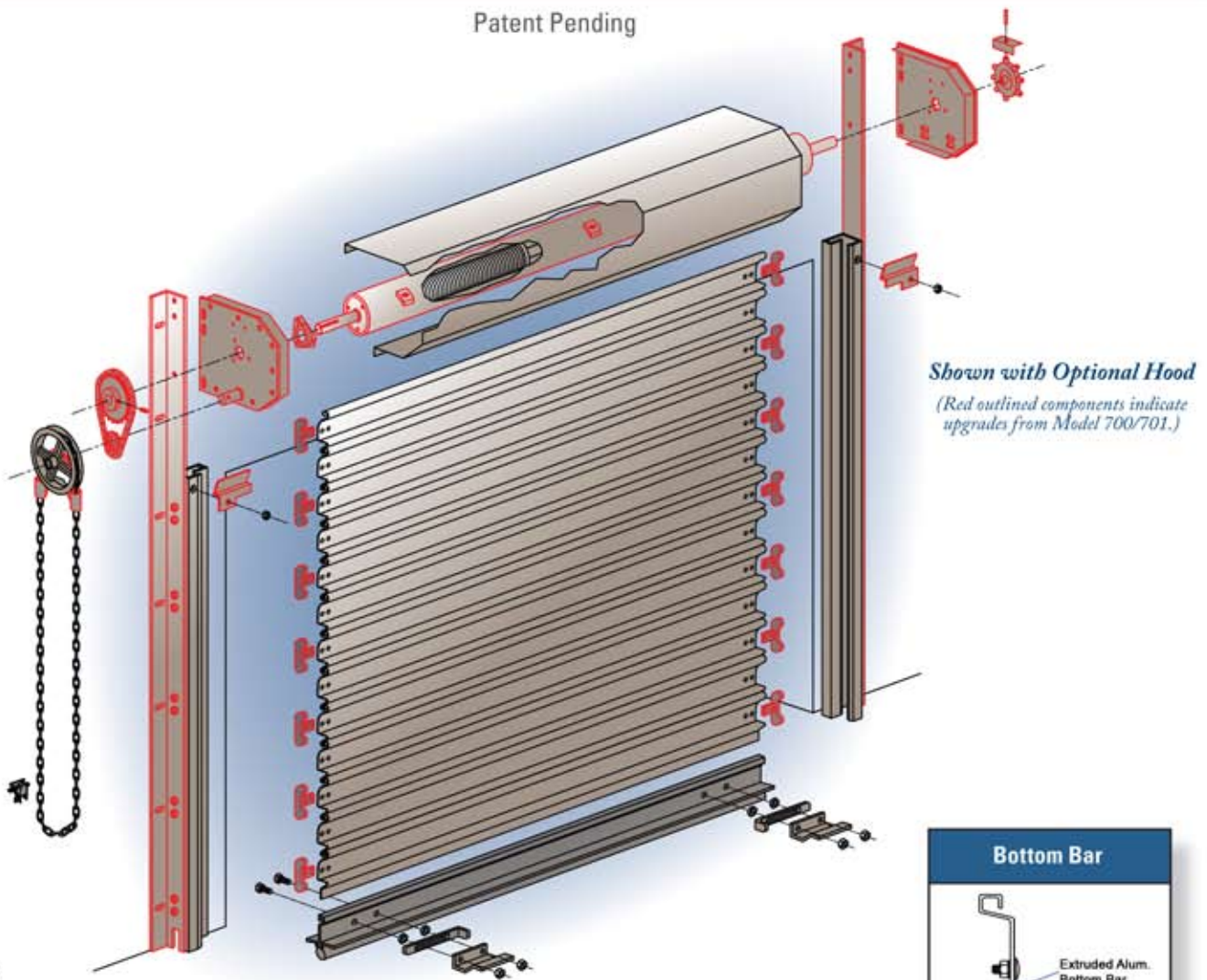


Model 700 & 701				
DOOR HEIGHT	HOIST SIDEROOM	NON-HOIST SIDEROOM	MINIMUM HEADROOM	BACK SPACE
Chain Operated - Reduction Gear				
Up to 10'0"	8" (203.2mm)	6.0" (152.40mm)	22" (558.40mm)	21" (533.40mm)
Up to 12'0"	8" (203.2mm)	6.0" (152.40mm)	23" (584.20mm)	21" (533.40mm)
Up to 14'0"	8" (203.2mm)	6.0" (152.40mm)	24" (609.60mm)	21" (533.40mm)

Windload Configurations (Based on Door Opening)			
up to 8'0" wide	up to 10'0" wide	up to 12'0" wide	up to 14'0" wide
+138.9/-138.9 psf 24-gauge slats	+82.8/-82.8 psf 24-gauge slats	+56.1/-56.1 psf 24-gauge slats	+41.2/-41.2 psf 24-gauge slats

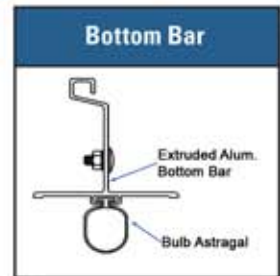
The 800/801 Model

Patent Pending



Features

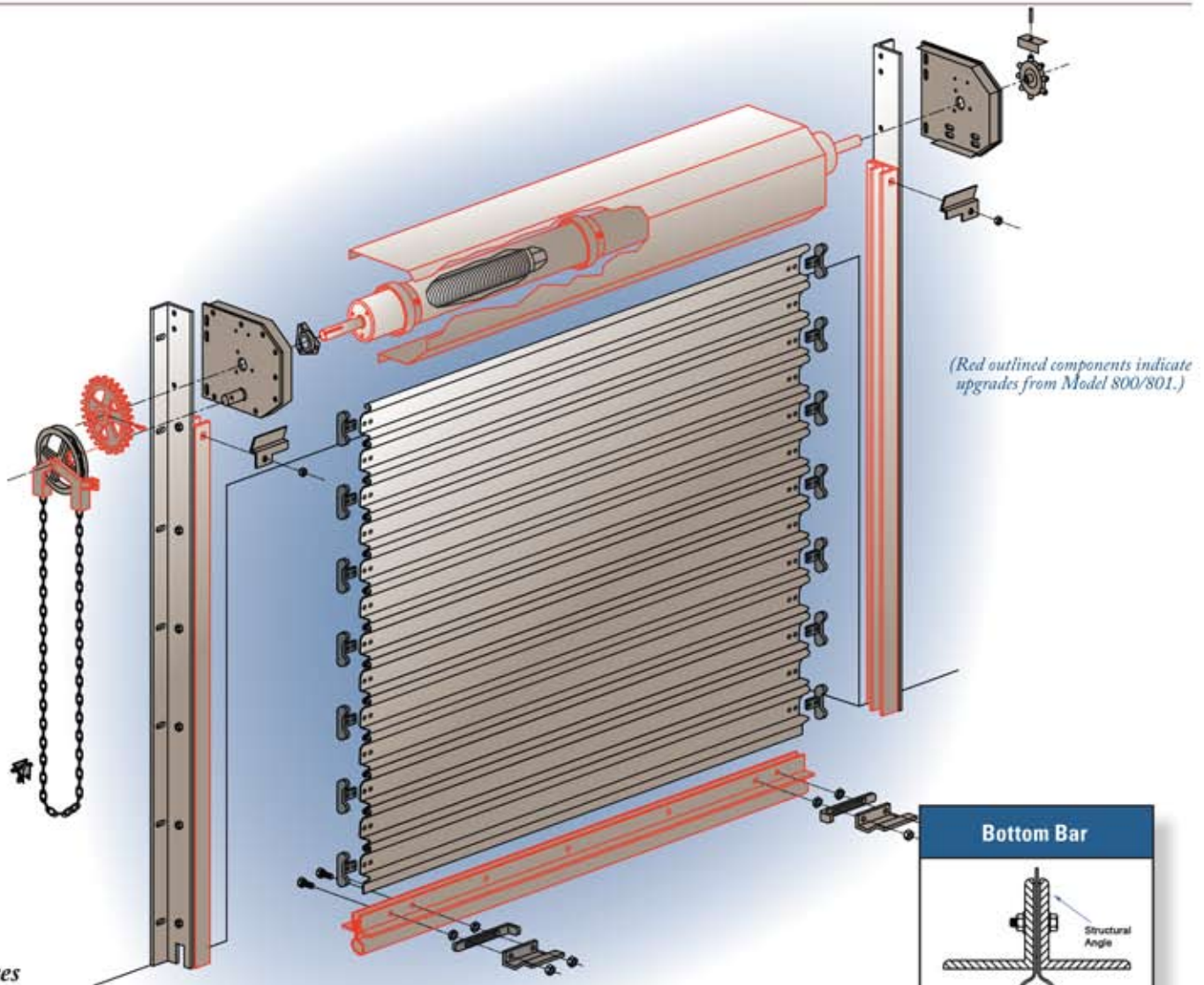
- 6 5/8-inch steel pipe barrel.
- 3-inch replaceable curved or flat slats made from 22-gauge hot-dipped galvanized steel.
- Individual slats can be replaced easily if damaged by equipment traffic insuring security, safety and long-lasting aesthetic appeal.
- Extruded aluminum bottom bar with integral reinforcement includes a two part posi-lock door stop for additional safety.
- Full width PVC bulb-type astragal provides seal for irregular floors.
- Roll-formed high tensile 12 gauge hot-dipped galvanized guides and structural wall angle with durable epoxy paint.
- Cast steel endlocks standard; provides curtain alignment during operation and windloading.
- Available in sizes up to 16 feet (4877 mm) wide and 16 feet (4877 mm) high.
- Reduced drive chain hoist standard on all sizes: optional electric operators provide maximum opening convenience and effortless operation.
- Optional 20-gauge hex-shaped hood assembly available
- Factory pre-stretched and pre-lubricated springs.



DOOR HEIGHT	Model 800 & 801			
	HOIST SIDEROOM	NON-HOIST SIDEROOM	MINIMUM HEADROOM	BACK SPACE
Chain Operated - Reduction Gear				
Up to 12'0"	8" (203.2mm)	6" (152.4mm)	17" (431.8mm)	16" (406.4mm)
Up to 16'0"	8" (203.2mm)	6" (152.4mm)	19" (482.6mm)	18" (457.2mm)

Windload Configurations (Based on Door Opening)				
up to 8'0" wide	up to 10'0" wide	up to 12'0" wide	up to 14'0" wide	up to 16'0" wide
+172.3/-172.3 psf 22-gauge slats	+102.9/-102.9 psf 22-gauge slats	+69.9/-69.9 psf 22-gauge slats	+51.4/-51.4 psf 22-gauge slats	+40.0/-40.0 psf 22-gauge slats
+138.9/-138.9 psf 24-gauge slats	+82.8/-82.8 psf 24-gauge slats	+56.1/-56.1 psf 24-gauge slats	+41.2/-41.2 psf 24-gauge slats	Consult Factory

The 900/901 Model



Features

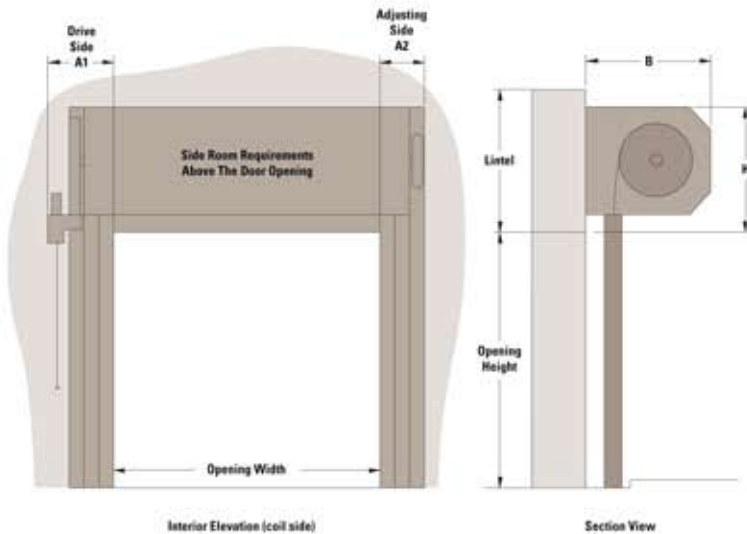
- Structural steel pipe barrel.
- 3-inch replaceable curved or flat slats made from minimum 22-gauge hot-dipped galvanized steel.
- Individual slats can be replaced easily if damaged by equipment traffic insuring security, safety and long-lasting aesthetic appeal.
- Structural steel 2-angle bottom bar with integral reinforcement includes a two part posi-lock door stop for additional safety.
- Full width PVC bulb-type astragal provides seal for irregular floors.
- Structural steel 3-piece angle guides with durable epoxy paint.
- Cast steel endlocks standard; reduce friction and noise and provides curtain alignment during operation and windloading.
- Available in sizes up to 24 feet (7315 mm) wide and 18 feet (5486 mm) high.
- Gear-reduced drive chain hoist standard on all sizes: optional electric operators provide maximum opening convenience and effortless operation.
- 20-gauge hex-shaped hood assembly standard.
- Factory pre-stretched and pre-lubricated springs.

DOOR HEIGHT	Model 900 & 901 (non-insulated)			
	HOIST SIDEROOM	NON-HOIST SIDEROOM	MINIMUM HEADROOM	BACK SPACE
Chain Operated - Reduction Gear				
Up to 12'0"	9.5" (241.3mm)	6.0" (152.40mm)	17" (431.8mm)	16" (406.4mm)
Up to 16'0"	9.5" (241.3mm)	6.0" (152.40mm)	19" (482.6mm)	18" (457.2mm)

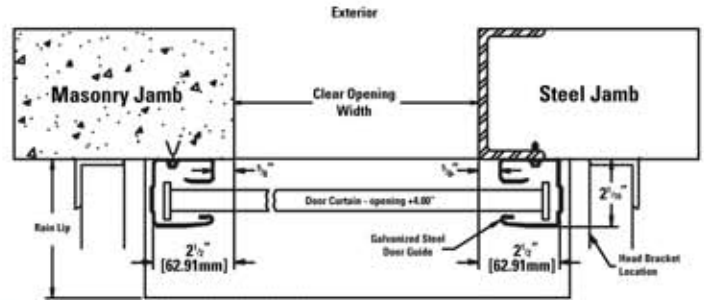
Windload Configurations (Based on Door Opening)				
up to 12'0" wide	up to 14'0" wide	up to 16'0" wide	up to 18'0" wide	up to 20'0" wide
+105.8/-105.8psf 20-gauge slats	+77.5/-77.5 psf 20-gauge slats	+60.0/-60.0 psf 20-gauge slats	+48.4/-48.4 psf 20-gauge slats	+40.1/-40.1 psf 20-gauge slats
+69.9/-69.9 psf 22-gauge slats	+51.4/-51.4 psf 22-gauge slats	+40.0/-40.0 psf 22-gauge slats	Consult Factory	Consult Factory



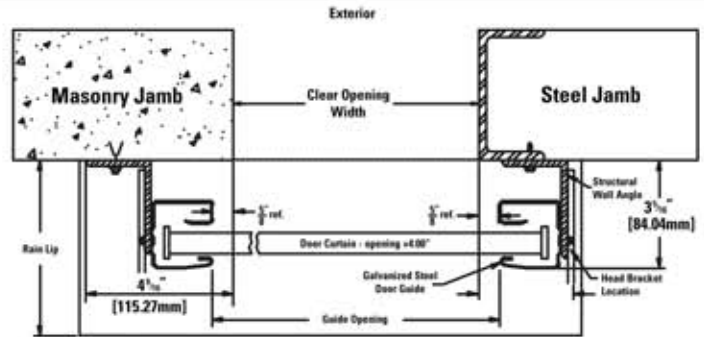
Optional Electric Operators



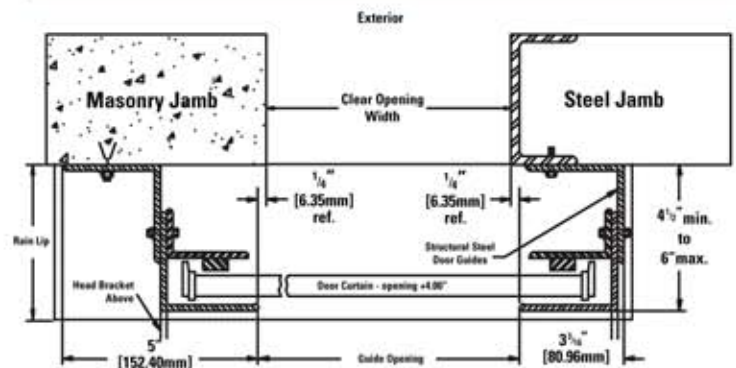
The 700/701 Model



The 800/801 Model



The 900/901 Model






	700 Series	800 Series	900 Series	700 Series	800 Series	900 Series
Opening Width	A1			A2		
Up to 10'	8" (203.2mm)	8" (203.2mm)	9.5" (225.6mm)	6" (152.4mm)	6" (152.4mm)	6" (152.4mm)
Up to 12'	8" (203.2mm)	8" (203.2mm)	9.5" (225.6mm)"	6" (152.4mm)	6" (152.4mm)	6" (152.4mm)
Up to 14'	8" (203.2mm)	8" (203.2mm)	9.5" (225.6mm)	6" (152.4mm)	6" (152.4mm)	6" (152.4mm)
Up to 16'	N/A	8" (203.2mm)	9.5" (225.6mm)	N/A	6" (152.4mm)	6" (152.4mm)
Up to 18'	N/A	N/A	9.5" (225.6mm)	N/A	N/A	6" (152.4mm)
Opening Height	B			H		
Up to 10'	21" (533.4mm)	16" (406.4mm)	16" (406.4mm)	22" (558.8mm)	17" (431.8mm)	17" (431.8mm)
Up to 12'	21" (533.4mm)	16" (406.4mm)	16" (406.4mm)	23" (584.2mm)	17" (431.8mm)	17" (431.8mm)
Up to 14'	21" (533.4mm)	18" (457.2mm)	18" (457.2mm)	24" (609.6mm)	19" (482.6mm)	19" (482.6mm)
Up to 16'	21" (533.4mm)	18" (457.2mm)	18" (457.2mm)	N/A	19" (482.6mm)	19" (482.6mm)
Up to 18'	N/A	N/A	9.5" (225.6mm)	N/A	N/A	21" (533.4mm)

Use this guide to determine the best door for your application.

Specifications	Available Models					
	700 Medium Duty	701 Medium Duty	800 Heavy Duty	801 Heavy Duty	900 Extra Heavy Duty	901 Extra Heavy Duty
Slat Profile	Curved	Flat	Curved	Flat	Curved	Flat
Maximum Width	14'0"	14'0"	16'0"	16'0"	24'0"	24'0"
Maximum Height	14'0"	14'0"	16'0"	16'0"	18'0"	18'0"
Standard Material	24-Gauge Steel	24-Gauge Steel	22-Gauge Steel	22-Gauge Steel	22-Gauge Steel	22-Gauge Steel
Optional Curtain Material			24-Gauge Steel	24-Gauge Steel	18- or 20-Gauge Steel Aluminum Stainless Steel	18- or 20-Gauge Steel Aluminum Stainless Steel
Guides	Roll-formed Galv. Steel	Roll-formed Galv. Steel	Roll-formed Galv. Steel with Structural Wall Angle	Roll-formed Galv. Steel with Structural Wall Angle	Painted Structural Angles	Painted Structural Angles
Optional Guides			Painted Structural Angles	Painted Structural Angles		
Operator	Reduce Drive Chain Hoist	Reduce Drive Chain Hoist	Reduced Drive Chain & Sprocket	Reduced Drive Chain & Sprocket	Gear Reduction Chain Hoist	Gear Reduction Chain Hoist
Hood	Optional	Optional	Optional	Optional	Standard	Standard

Slat Profiles & Colors

3" Slats available in lightstone tan, duro bronze, satin white and galvanized steel.

Model 700, 800 and 900 Curved Slat	Model 701, 801, 901 Flat Slat	Model 901 Insulated Slat
		



Windlock and Endlocks



Nylon Endlock



Cast Endlock



Cast Windlock



1720 West Broadway Rd. • Mesa, AZ 85202

10407 Rocket Blvd. • Orlando, FL 32824

Toll free 1-877-877-8875

TEL 407-859-6770 Fax 407-447-2923

www.usdoor.com info@usdoor.com