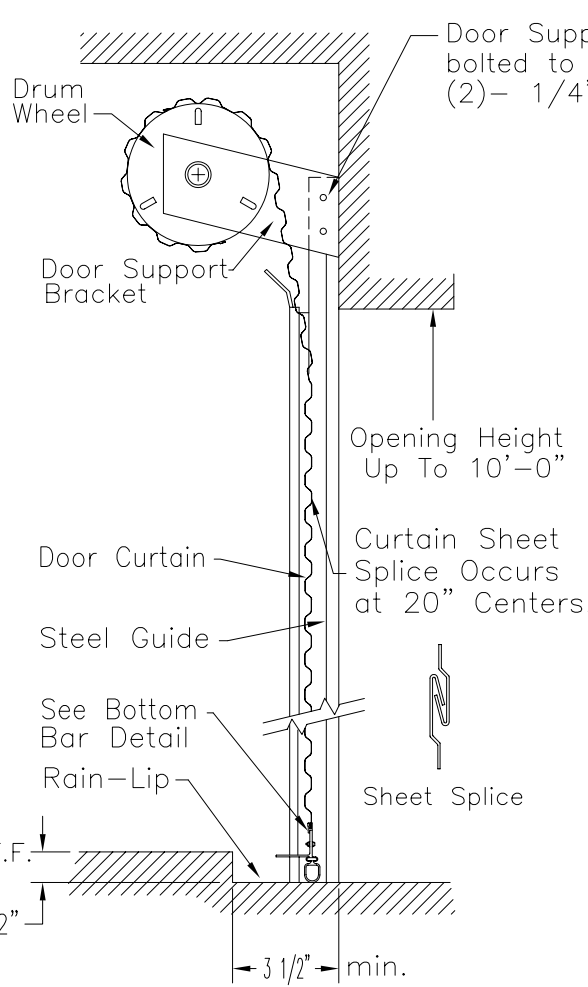
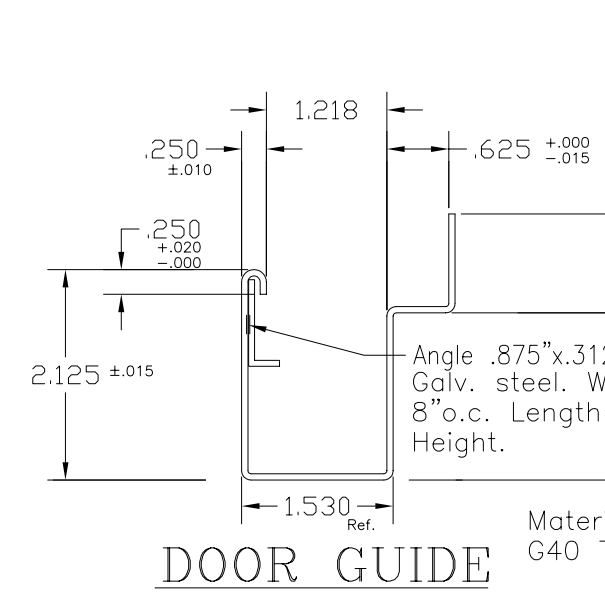
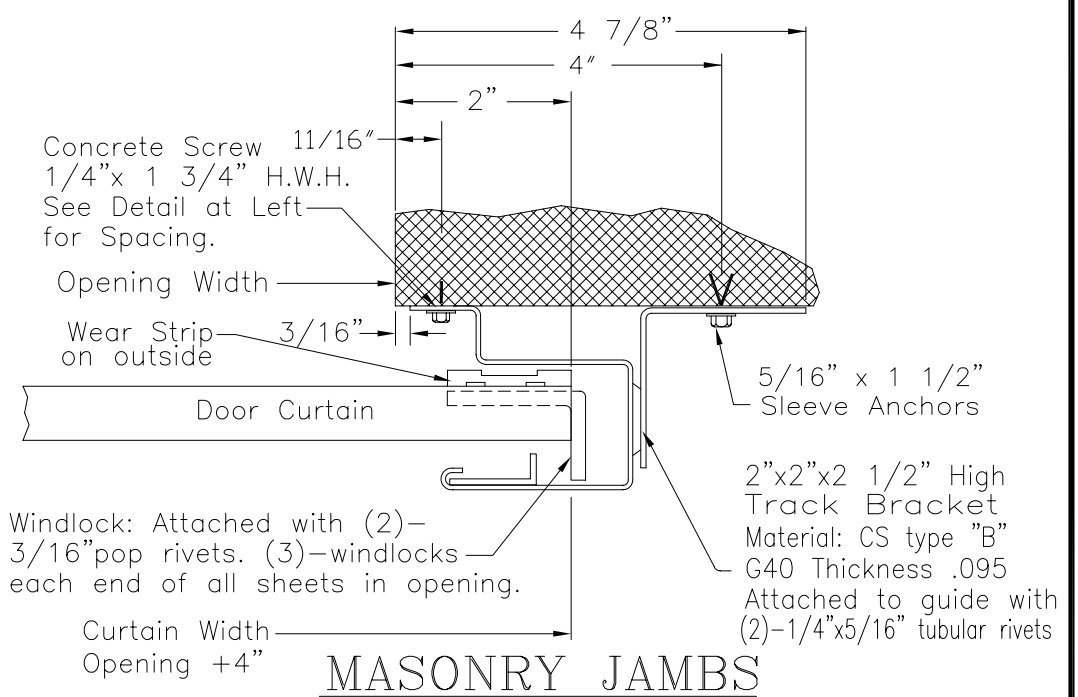
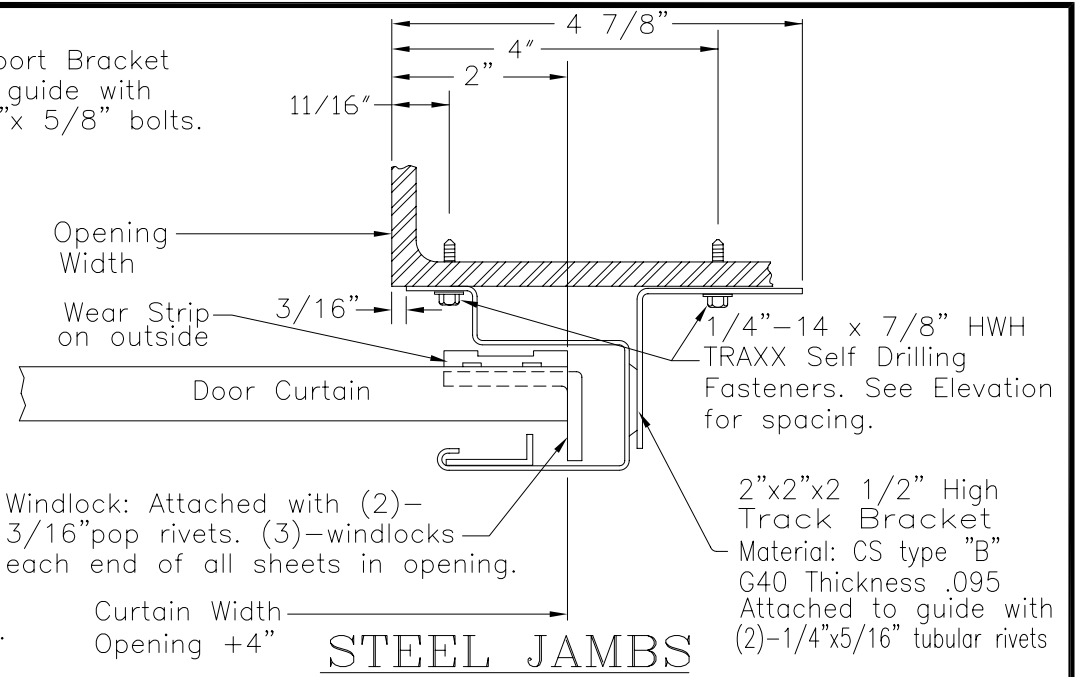


**INTERIOR ELEVATION**  
Scale: None



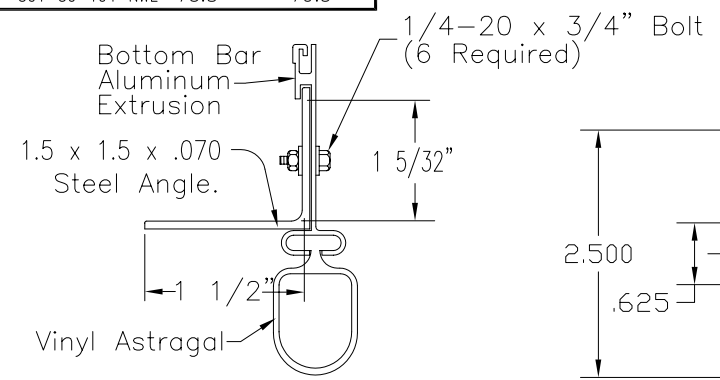
**SECTION @ DOOR**  
Scale: None



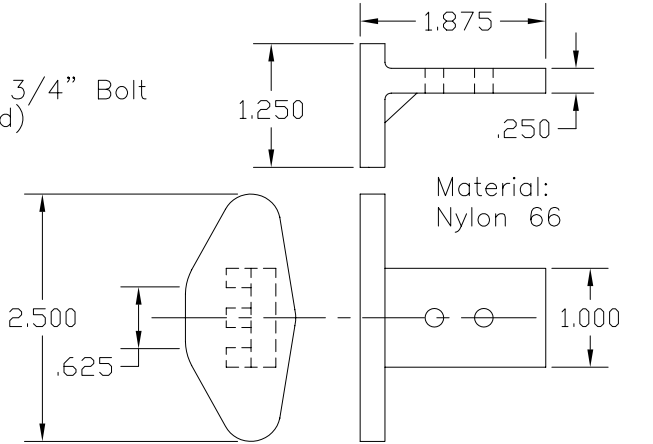
**DOOR GUIDE**

TABLE 1

Model	Maximum Door Width	Maximum Door Height	Drawing Number	Design Load Positive P.S.F.	Design Load Negative P.S.F.
501	8'-0"	10'-0"	501-30-104-NWL	34.4	36.7
501	6'-0"	10'-0"	501-30-104-NWL	75.8	79.3



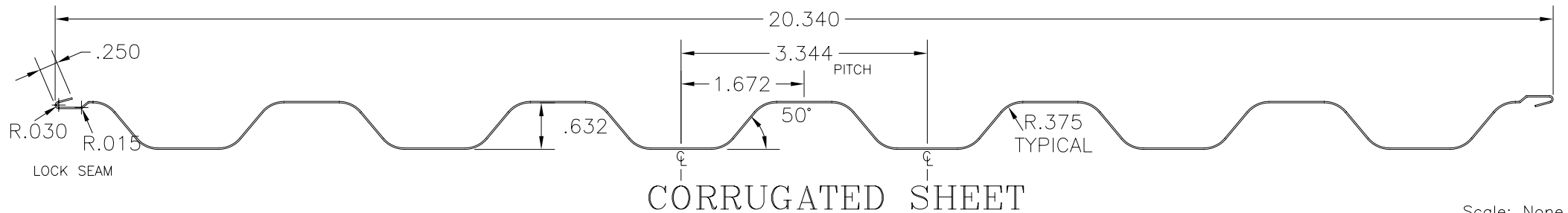
**BOTTOM BAR**



**WIND LOCK P/N U220011**

Refer to test report  
Number USD-05-1  
Dated 01/05/05

Doors designed for 28 #/ft<sup>2</sup> POS. and 30 #/ft<sup>2</sup> NEG. PSF wind load  
Maximum door size 8'-8" wide x 10'-0" high



**CORRUGATED SHEET**

**MODEL 501-30-NWL**

**U.S. Door & Building Components**

10407 Rocket Blvd. Orlando Fl. 32824  
407.859.6770 Fax 407.447.2923 usdoor.com

JOB: \_\_\_\_\_  
CONTRACTOR: \_\_\_\_\_  
ARCHITECT: \_\_\_\_\_  
ADDRESS: \_\_\_\_\_  
DISTRIBUTOR: \_\_\_\_\_  
ADDRESS: \_\_\_\_\_

DATE: 01/04/05 SHEET: 1  
DRAWN BY: C.D.W.  
CHECKED BY: \_\_\_\_\_  
DRAWING NUMBER  
501-30-104-NWL

Jan. 4, 2005

Scale: None