

**MATERIAL HANDLING**

Reel Lifting/Turning

**REEL LIFTING AND TURNING**

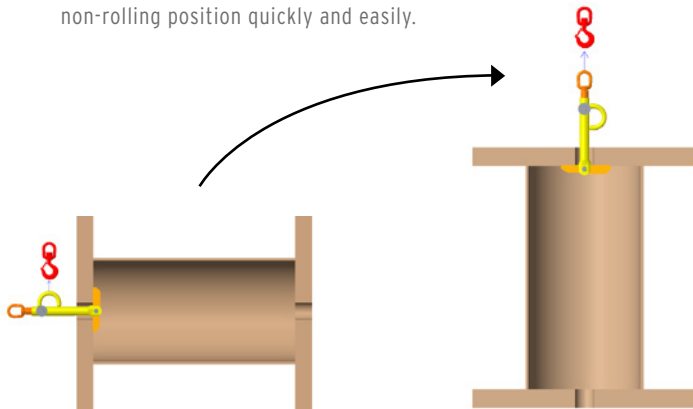
- Manufactured to exceed all ASME B30.20 and OSHA regulations.
- **ALL** material handling equipment proof loaded and shipped with certification paperwork.
- Durable construction ideally suited to jobsite or warehouse use.
- Made in U.S.A.
- Machined to exacting tolerances.

Prop 65 – See Page 100

Working Load Limit in Pounds*	Part Number	A	B	C	D	Arbor Dia	Weight
500	<b>19455</b>	0.75	1.05	n/a	1.00	1-1/4" - 2"	3
3,000	<b>12782</b>	1.50	2.00	2.75	1.66	2" - 4"	7
4,500	<b>24046</b>	2.00	2.63	n/a	2.38	3" - 6"	19

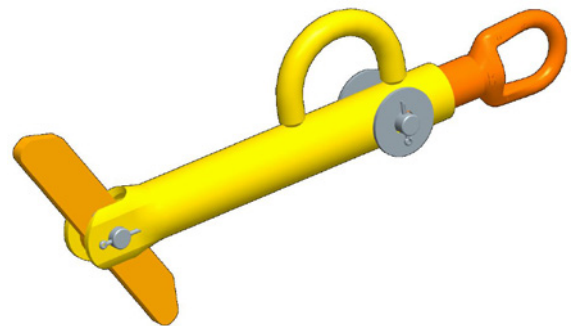
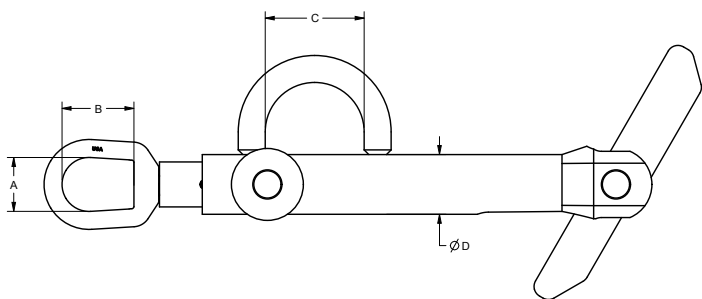
\* Call for specifications on larger sizes and capacities

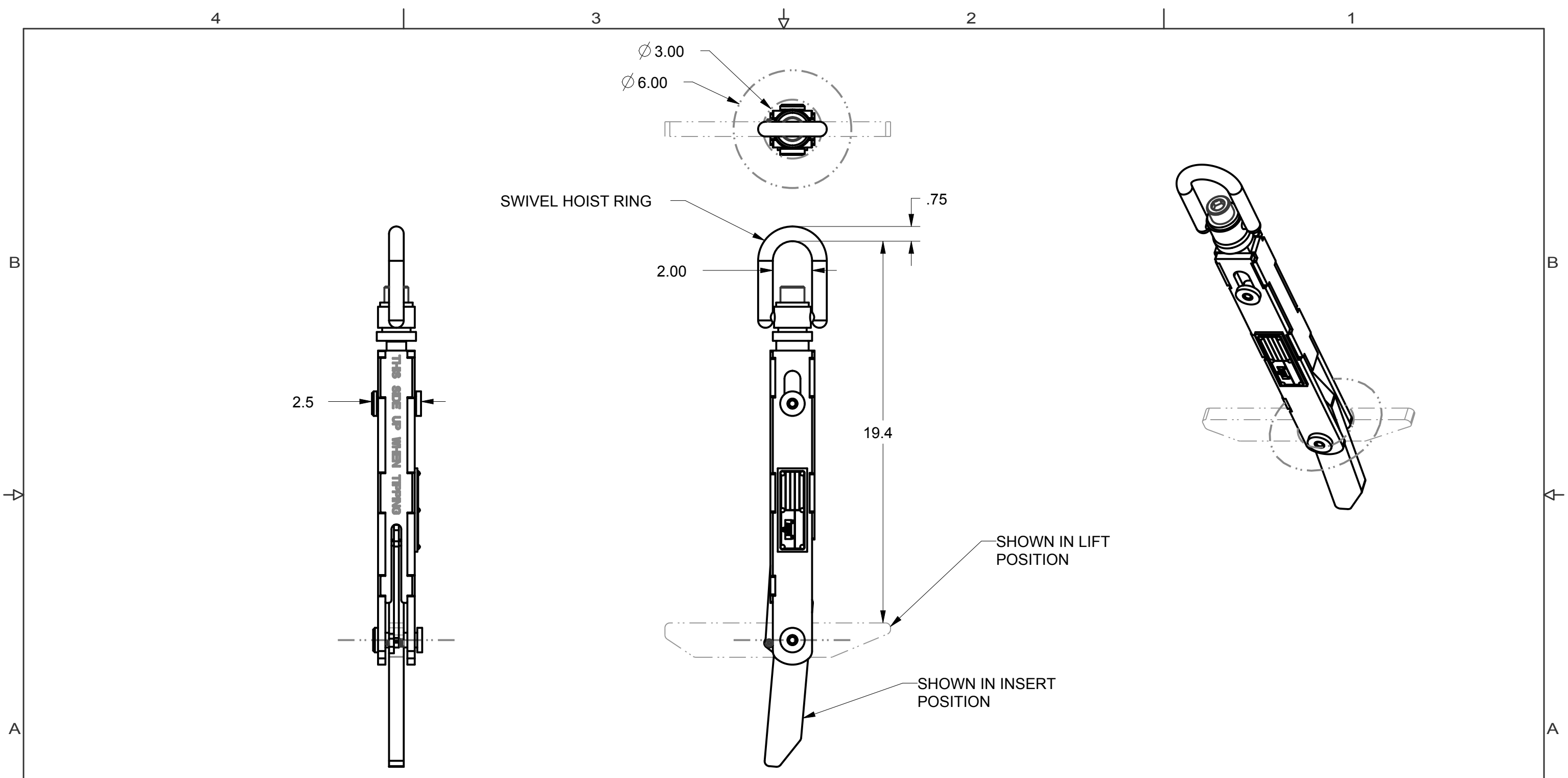
- Working Load Limit stamped on each lifter.
- Safely allows personnel to flip reels from rolling to non-rolling position quickly and easily.



**\* TIP UP REEL FROM A ROLLING POSITION TO AN UPRIGHT POSITION, PAY OUT REEL IN UPRIGHT POSITION PART NUMBER 12782 & 13037**

**PART NUMBER 19455 NOT FOR TIPPING UP REELS**





NOTES:  
1. TAGGED AND LABELED PER  
M&W SPECIFICATION #20060.

MATERIAL:	THE INFORMATION HERON IS PROPERTY OF MACHINING & WELDING INC. AND/OR ITS SUBSIDIARIES. WITHOUT WRITTEN PERMISSION, ANY COPYING, TRANSMITTAL TO OTHERS, AND ANY USE EXCEPT THAT FOR WHICH IT IS LOANED, IS PROHIBITED	
FINISH: POWDERCOAT YELLOW	TOLERANCE UNLESS SPECIFIED	
WEIGHT: 19 LB	X $\pm$ .13 X.X $\pm$ .06	X.XX = $\pm$ .03 X.XXX = $\pm$ .01
PROOF LOAD: 5,625 LB	ANGULAR TOL. $\pm 1^\circ$	UNITS: INCH

**MACHINING & WELDING**

**M & W**

MACHINING & WELDING

250 Olsen Boulevard  
Cokato, MN 55321

PHONE: 888-317-9016  
SALES@MACHININGANDWELDING.COM

ASME BTH-1 DES CAT-B  
ASME BTH-1 SVC CLS-2

TITLE: <b>REEL LIFTER</b>	
PART NUMBER: <b>24046</b> FILE NAME: 24046	
DRW BY: CEN	DATE: 12/02/19
SHEET 2 OF 2	REVISION: A WORKING LOAD LIMIT: 4,500 LB