

The New Leader in industrial dynamometer: precise, strong and reliable.

Description

The dynafor® LLX1 dynamometers are precision force sensors used to measure forces and indicate loads. The shape of the dynamometers enables the use of standard shackles on both ends. The dynamometers of this range function in all positions for the measurement of force and suspended for weighing purpose.

Operating Principle

Strain gauge measurement of the extension, within its limits of elasticity, of a metal body subjected to traction stress. The sensor generates an electrical signal that is proportional to the load. This signal is processed by a micro-processor analyser and then displayed on a built in LCD display.

Technical features

- Precision: +/- 0.2% of the full scale (FS)
- Range: from 0.5 t up to 20 t (1,100 to 44,000 lbs.)
- Long Lasting: Up to 450 h (3 "AA" batteries)
- Protection: IP 65 (NEMA 4)
- CEM approved
- Safety coefficient: more than 4
- Comes in a plastic carrying case
- Option: LLX1 Remote readout
- Worldwide accreditation
- Wireless range up to 40 m (131')
- Interchangeability with other displays dynafor® LLX1
- Bow shackles and swivel hooks available



Dynafor® LLX1 dynamometers

Model	WWL kg (lbs)	Accuracy +/- kg (lbs)	Minimum Display kg (lbs)	Increment kg (lbs)	Weight kg (lbs)
LLX1- 0.5t	500 (1,100)	1.0 (2.2)	0.2 (0.5)	0.2 (0.5)	1.1 (2.4)
LLX1-1t	1,000 (2,200)	2.0 (4.4)	0.5 (1)	0.5 (1)	1.1 (2.4)
LLX1-2t	2,000 (4,400)	4.0 (8.8)	1 (2)	1 (2)	1.3 (2.9)
LLX1-3.2t	3,200 (6,400)	6.0 (13.2)	1 (2)	1 (2)	1.5 (3.3)
LLX1-5t	5,000 (11,000)	10.0 (22.0)	2 (5)	2 (5)	2.3 (5.0)
LLX1-6.3t	6,300 (13,860)	13.0 (28.6)	2 (5)	2 (5)	2.3 (5.0)
LLX1-12.5t	12,500 (25,000)	25.0 (55.0)	5 (10)	5 (10)	4.3 (9.5)
LLX1-20t	20,000 (44,000)	40.0 (88.0)	10 (20)	10 (20)	7 (15.4)
LLX1 - Display					0.2 (.44)

technical data sheet

dynafor™ series LLX1
Electronic traction dynamometer
W.L.L. : 0.5 to 20 t

ref. : **T 2435 GB**
rev. n° : -
date : **04/12**
page : **1/2**

Description

The dynafor™ LLX1 dynamometers are precision force sensors used to measure forces and indicate loads. The shape of the dynamometers enables the use of standard shackles on both ends.

The dynamometers of this range function in all positions for the measurement of force and suspended for weighing purpose.

Operating Principle

Strain gauge measurement of the extension, within its limits of elasticity, of a metal body subjected to traction stress.

The sensor generates an electrical signal that is proportional to the load. This signal is processed by a micro-processor analyser and then displayed on a built in LCD display.

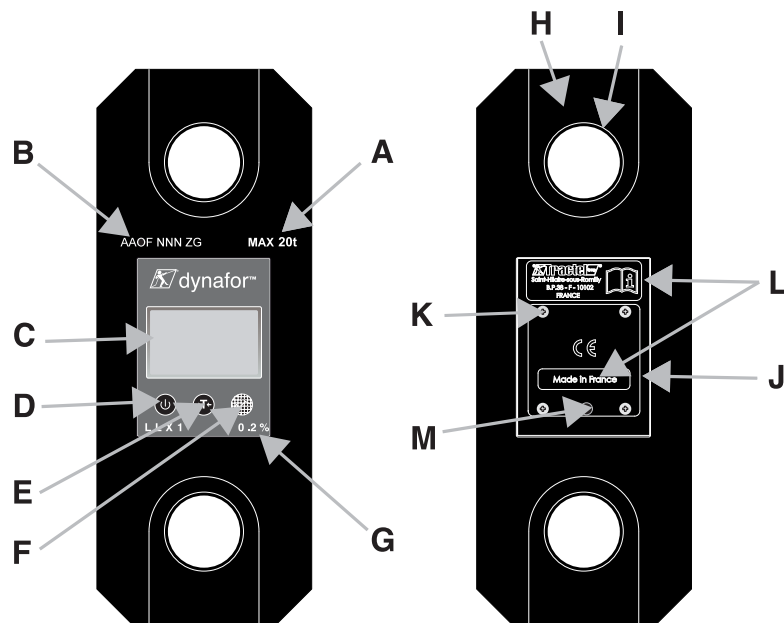
Technical Specifications

- Capacities from 0,5 t up to 20 t
- Precision: 0,2 % of full scale.
- Safety coefficient : minimum 4
- Power supply : 3 batteries 1,5 V "AA" or 3 rechargeable batteries 1,2 V "AA"
- Packaging : plastic carrying case
- Protection : IP 65 (NEMA 4)
- See details on page 2

Options and accessories :

- Bow shackles
- Swivel hooks
- Radio Remote display, type LLX1.

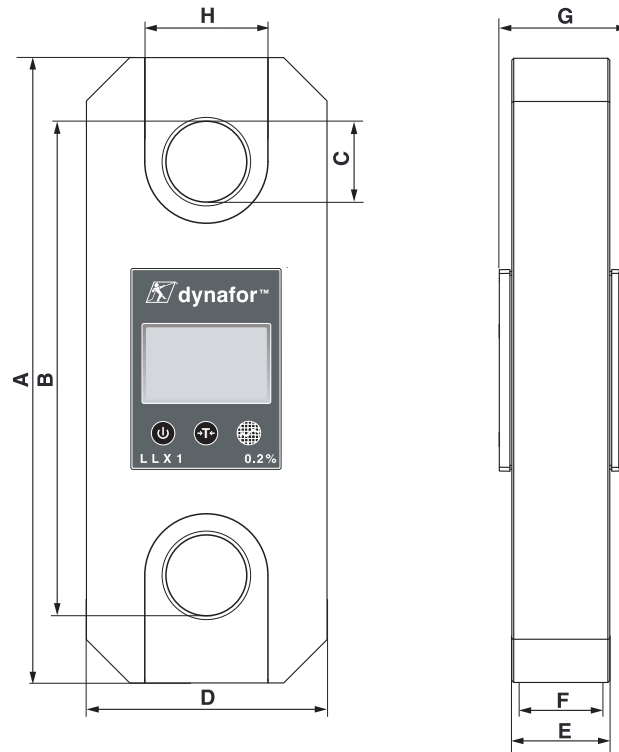
A	Capacity
B	Serial No.
C	LCD screen
D	T1 ON/OFF button
E	T2 Tare button
F	T3 Peak load button
G	Accuracy
H	Sensor weight
I	Hole for shackle
J	Battery compartment cover
K	Mounting screw
L	Manufacturer's markings
M	Programming jack



technical data sheet

dynafor™ series LLX1
Electronic traction dynamometer
W.L.L. : 0.5 to 20 t

ref. : **T 2435 GB**
rev. n° : -
date : **04/12**
page : **2/2**



MODEL		LLX1 0.5 t	LLX1 1 t	LLX1 2 t	LLX1 3.2 t	LLX1 5 t	LLX1 6.3 t	LLX1 12.5 t	LLX1 20 t	
Maximum capacity	t	0.5	1	2	3.2	5	6.3	12.5	20	
Test load	t	0.75	1.5	3	4.8	7,5	9.6	18.75	30	
Safety coefficient		Minimum 4								
Precision		0.2 % FS								
	± daN	1	2	4	6	10	13	25	40	
Increment	daN	0.2	0.5	1	1	2	2	5	10	
Max. Display	daN	110 % maximum capacity								
Number height	mm	18								
Autonomy		450 h (Batteries 1.5 V "AA ")								
Weight	kg	1.1	1.1	1.3	1.5	2.3	2.3	4.3	7	
IP Protection		I.P. 65								
Usafe		From - 20° to 40°C								
Sensitivity to T°		0.05% per 10°C								
Sensor material		Aluminium								
Dimensions mm	A	220	220	233	243	275	275	343	371	
	B	196	196	207	207	217	217	257	269	
	C	14	14	22	22	28	28	42	54	
	D	90	90	100	100	115	115	125	134	
	E	32	32	32	32	32	32	51	67	
	F	16	16	24	24	29	29	48	64	
	G	47.5	47.5	47.5	47.5	47.5	47.5	66.5	67	
	H	45	45	50	50	57	57	62	66	
Radio option		RF technology: Zigbee 2.4 GHz			Range : 40 m in free field, see details in operation manual					

Anchor shackles.

Technical instruction :

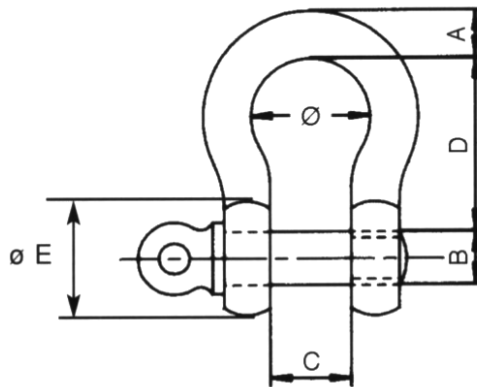
U.S. Federal Specification (RR - C.271b type IV classe1)

Safety factor : 6 up to 55 t

Testing load : 2 x s.w.l. and according to I.L.O.
Safe working load permanently shown on every shackle

Finish : painted or galvanised

Pins : alloys steel



Dynafor Models	Code	S.W.L Tons	A mm	B mm	C mm	D mm	Ø mm	ØE mm	Weight mm
LLX-0.25 to 1.25	47906	1.5	11	13	18	43	29	26	0.2
LLX-2.5	47916	3.25	16	20	27	60	42	40	0.6
LLX-5	47926	6.5	22	25	37	84	58	50	1.4
LLX-12.5	47936	13.5	35	38	57	132	89	86	4.4
LLX-25	47946	25	44	50	73	178	110	104	14
LLX-50	47956	50	64	70	105	267	150	146	39.7
LLX-100	38166	100	89	95	146	381	241	195	97
LLX-250	93106	250	125	140	200	540	320	290	340