

TNMK / STNMK / TNMK-A

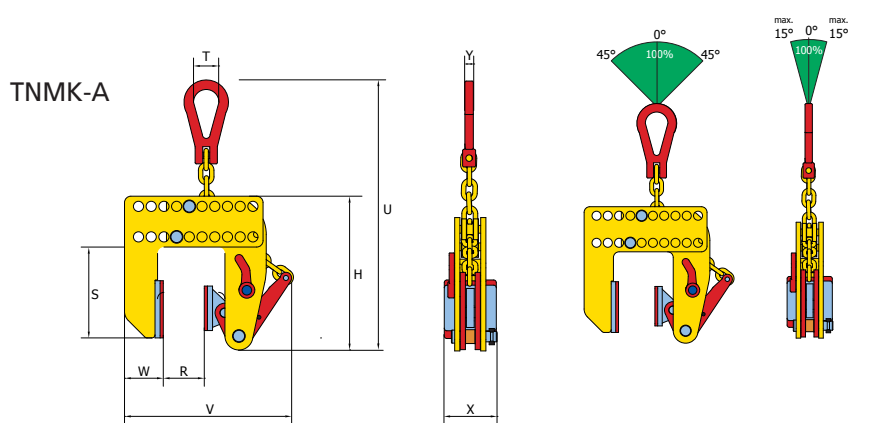
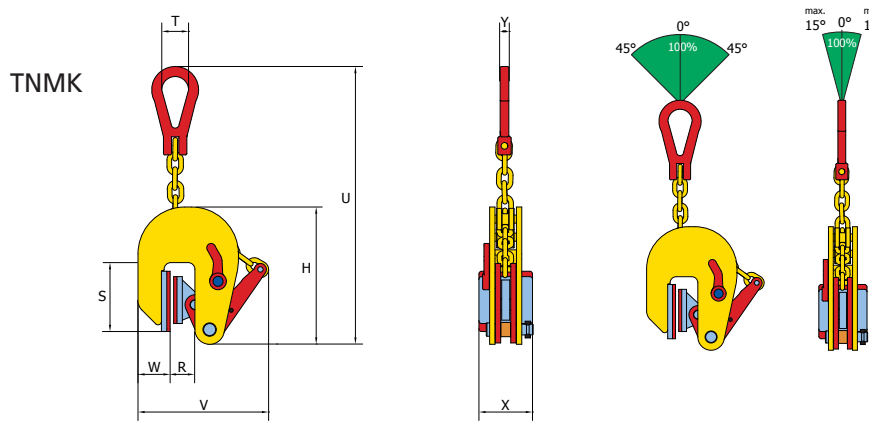
Vertical lifting without marking, scratching, or damaging the material surface

Application:

- For vertical lifting and transporting of structures without marking, scratching, and/or damaging the material surface
- Perfect for lifting materials such as (stainless) steel, aluminum, natural stone, composite, painted materials, wood, glass, plastic, etc.
- Jaw openings available from: 0 to 2.36 in.
- STNMK models are equipped with enlarged jaw opening: .66 to 1.45 in.
- TNMK-A models are equipped with adjustable extra large jaw opening: 0 to 7.08 in. (A) (adjustable steps of .78 in.)
- Working load limit (W.L.L.) 1,100 - 6,600 lbs
- **No min. W.L.L.**

Features and Benefits:

- Equipped with 2 special synthetic anti-friction pads to guarantee non-marking
- Equipped with chain lifting shackle for flexible lifting
- Always equipped with a safety mechanism, ensuring the clamp does not slip when lifting force is applied and when load is being lowered
- Clamp is locked in closed as well as open position
- Tough quality heavy-duty welded shell body
- Maintenance-friendly. Easy to exchange parts are available upon request



Reference No.	Type	Capacity/W.L.L. (lb/pc)	Jaw opening (R) (inches)	Dimensions in inches								Weight (lb/pc)	
				H	S	T	U	V	W	X	Y		
862035	0.5 TNMK	1,100	0 - .78	8.07	4.02	1.57	18.19	8.82	1.89	1.89	3.15	.55	14
862135	0.5 STNMK	1,100	.66 - 1.45	8.07	4.02	1.57	18.19	9.49	1.89	1.89	3.15	.55	14
862005	0.5 TNMKA	1,100	0 - 7.08	9.53	5.63	1.57	16.14	9.25 - 15.55	2.40	1.81	3.15	.55	23
862010	1 TNMK	2,200	0 - 1.18	9.13	4.13	1.57	18.50	11.10	1.81	1.81	3.15	.55	15
862037	1.5 TNMK	3,300	0 - 1.57	9.13	4.13	1.57	18.50	11.10	1.81	1.81	3.15	.55	15
862038	2 TNMK	4,400	0 - 1.96	14.25	4.88	1.97	27.72	16.06	2.48	2.48	3.15	.71	34
862039	3 TNMK	6,600	0 - 2.36	14.25	4.88	1.97	27.72	16.06	2.48	2.48	3.15	.71	35

Specifications are subject to change

WESTECH RIGGING SUPPLY

Call Toll Free: 800-442-7475

Call Us or Visit Our Stores:
Monday - Friday, 8:00am - 5:30pm Pacific



Visit Us Online at: www.WestechRigging.com

4140 West 11th Avenue
Eugene, Oregon 97402

2439 McGilchrist St SE
Salem, Oregon 97302

Distributed By