

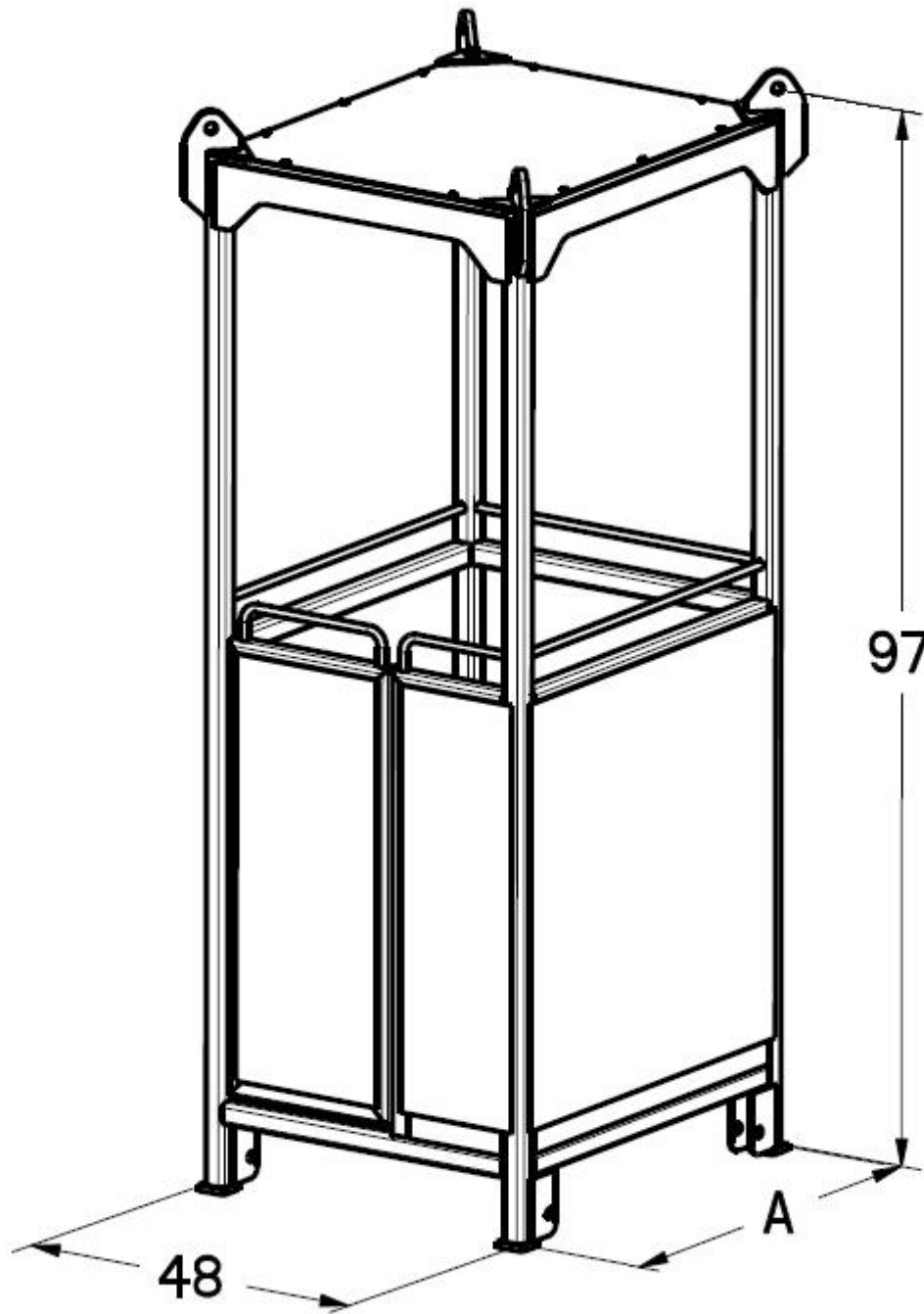


Personnel Basket with optional Test Weight and Suspension Rigging

Personnel Basket with optional Test Weight and Suspension Rigging

- Painted safety yellow for increased visibility.
- **ALL** Personnel Baskets shipped with proof load certification paperwork.
- Durable construction ideally suited to jobsite or warehouse use.
- Made in U.S.A.
- Machined to exacting tolerances.
- Custom lettering available - call for details.
- Custom designs available - call for engineering.
- Lifting point shackles included with suspension rigging

PERSONNEL
BASKETS



WESTECH RIGGING SUPPLY

Call Toll Free: 800-442-7475

Call Us or Visit Our Stores:
Monday - Friday, 8:00am - 5:30pm Pacific



Visit Us Online at: www.WestechRigging.com

4140 West 11th Avenue
Eugene, Oregon 97402

2439 McGilchrist St SE
Salem, Oregon 97302

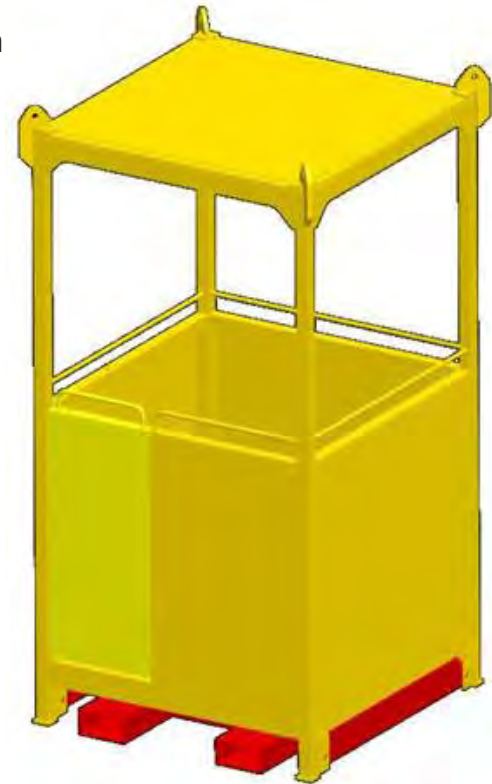
Personnel Basket
with optional Test Weight and Suspension Rigging



Personnel Basket with optional Test Weight and Suspension Rigging

Specifications:

- Meets or exceeds ASME B30.23 specifications.
- EACH personnel basket individually load tested with inspection and OSHA certification paperwork included.
- Sides enclosed with solid metal to the intermediate rail.
- Grab rail on entire perimeter.
- Non-slip, diamond plate steel floor.
- Inward swing, self-closing locking access door. Heavy-duty hinge and latch standard on all models.
- Guardrail system complies with OSHA 29 CFR Part 1926.1421(e)6 and 1926.1421(e)7.
- Permanent identification/data plate standard on all models.
- Product liability insurance certificate available upon request.
- Solid, removable roof design is standard on all models - keeps weather off personnel to comply with OSHA 1926.1421(e)10.
- Permanent tie-off points for materials and tools to comply with OSHA 1926.1431(e).
- Lifting point shackles not included.



PERSONNEL BASKETS

RFID TRACKING



CHIP EQUIPPED

OPTIONAL EQUIPMENT

- Pin-on, removable test weight.
- 4-leg suspension rigging bridle with Bolt-Type anchor shackles.
- Expanded metal sides and / or top.

Capacity in Pounds*	Basket Part Number	Weight	A	Test Weight Part Number	Suspension Bridle Part Number	Test Weight Quantity
500	14347	735	34" x 40"	14369	15189	1
1,000	12741	945	48"	12748	15189	1
1,500	12757	1200	72"	12766	15190	1
2,000	12755	1525	94"	12748	15191	2

* Call for specifications on larger sizes and capacities