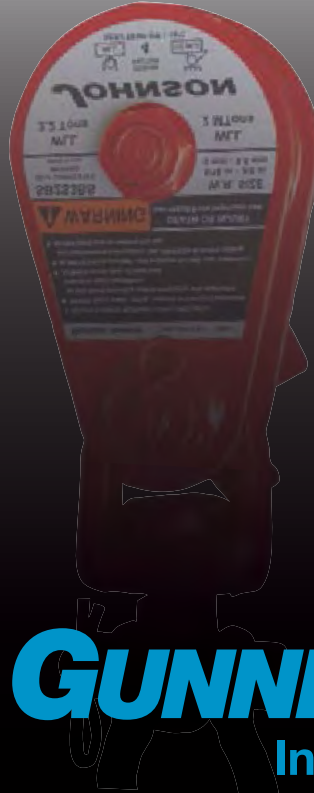


Snatch Blocks

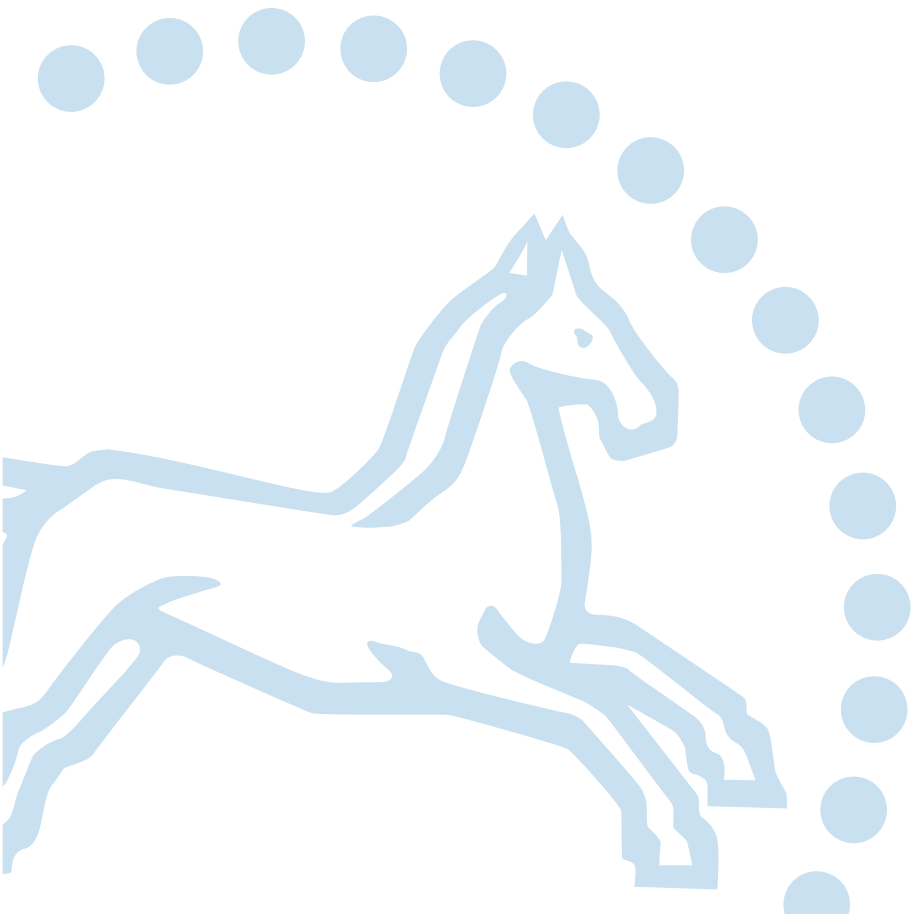


GUNNEBO
Industries



Snatch Blocks

Introduction, Features, Benefits	130 - 132
One Sheave Snatch Block with Hook	133 - 134
One Sheave Snatch Block with Shackle.....	135 - 136
One Sheave Tailboard Blocks.....	137 - 138
One Sheave Top Deadend Snatch Blocks with Hook.....	139 - 140
One Sheave Top Deadend Snatch Blocks with Shackle	141 - 142
Two Sheave Snatch Blocks with Hook	143 - 144
Two Sheave Snatch Blocks with Shackle.....	145 - 146
Snatch Block Warnings and Use Limitations.....	147 - 148



Snatch Blocks

Gunnebo Johnson snatch blocks meet worldwide standards and are renowned for their toughness on the job. Designed for the general purpose of construction and oilfield applications, they stand up reliably. Used in high load, intermittent and high temporary load service, these products are counted on for their unfailing ability to keep on working.

With a range of over 250 models from which to choose, there is a model for virtually every application. Single sheave models are available with hook, shackle, and tailboard pin. Top dead end, double sheave, Tiltwall, Manhandler and other oilfield applications round out the line.

Standard Equipment

- Strong, precise plates
- Forged hook and shackle fittings
- ForgeFab sheaves, 16" and larger
- Secondary "R" pin securement
- Swivel opening side plates
- Large latch pin heads
- Thrust bearing 30 ton and up end fittings
- Lubrication fitting (2 ton model equipped with self-lubricating bronze bushing)

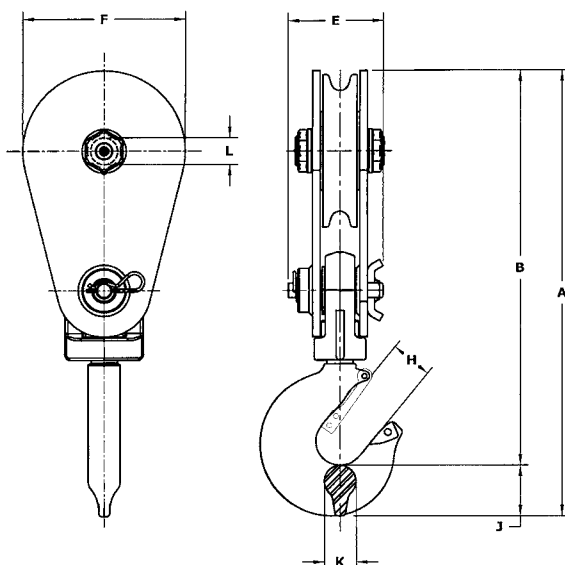
Optional Equipment

- Roller Bearings
- Proof load test
- Flame hardened sheaves, 14" and below
- Anti-corrosion coatings
- Special designs and WLL

One Sheave Snatch Block with Hook

2 through 30-ton capacities
4 to 1 design factor
3 through 24-inch diameters

For snatch block warnings and use limitations, see pages 147-148



Key to one Sheave Snatch Block with hook model numbers

SB	4	S	4	B	H
Single Shv. Snatch Block	Working Load Limits (Metric Tons)	No. of Shvs: S = 1	Shv. size – Nom. O.D.	Sheave Bearing: B = Bronze Bushed R = Roller Bearing	Type of Fitting: H = Hook

To order, please specify:

- Model number
- Special wire rope sizes (other than standard)

J-Latches are standard equipment

2-Ton 1-Sheave Snatch Blocks, with Hook, 3 inches

Model No.	Standard Wire Rope Size	Wt. w/ LAT	A Overall Length	B Net Length	E Thickness	F Width	H Throat Opening With Latch	J Hook Thickness	K Hook Width	L Center Pin Dia.
SB2S3BH	5/16 – 3/8	5	10.48	9.48	2.72	3.20	1.03	1.00	0.75	0.75

4-Ton 1-Sheave Snatch Blocks, with Hook, 4-1/2 - 14 inches

SB4S4BH	3/8 – 1/2	15	14.79	12.94	3.63	4.76	1.28	1.85	1.13	1
SB4S6BH	3/8 – 1/2	19	16.97	15.12	3.63	6.26	1.28	1.85	1.13	1
SB4S8BH	3/8 – 1/2	25	18.97	17.12	3.63	8.26	1.28	1.85	1.13	1
SB4S10BH	3/8 – 1/2	33	21.03	19.18	3.63	10.26	1.28	1.85	1.13	1.25
SB4S12BH	3/8 – 1/2	40	23.03	21.18	3.63	12.26	1.28	1.85	1.13	1.25
SB4S14BH	3/8 – 1/2	50	25.03	23.18	3.63	14.26	1.28	1.85	1.13	1.25

For snatch block warnings and use limitations, see pages 147-148

8-Ton 1-Sheave Snatch Blocks, with Hook, 6-14 inches

Model No.	Standard Wire Rope Size	Wt. w/ LAT	A Overall Length	B Net Length	E Thick-ness	F Width	H Throat Opening	J Hook Thickness	K Hook Width	L Center Pin Dia.
SB8S6BH	5/8 – 3/4	27	19.08	17.02	4.02	6.24	1.53	2.06	1.38	1.5
SB8S8BH	5/8 – 3/4	35	21.08	19.02	4.02	8.24	1.53	2.06	1.38	1.5
SB8S10BH	5/8 – 3/4	41	23.08	21.02	4.02	10.24	1.53	2.06	1.38	1.5
SB8S12BH	5/8 – 3/4	53	25.11	23.05	4.02	12.18	1.53	2.06	1.38	1.5
SB8S14BH	5/8 – 3/4	64	27.11	25.05	4.02	14.18	1.53	2.06	1.38	1.5

12-Ton 1-Sheave Snatch Blocks, with Hook, 6-16 inches

SB12S6BH	3/4 – 7/8	46	21.44	18.87	4.85	6.68	1.75	2.57	1.63	2
SB12S8BH	3/4 – 7/8	57	23	20.43	4.85	8.24	1.75	2.57	1.63	2
SB12S10BH	3/4 – 7/8	70	25	22.43	4.85	10.24	1.75	2.57	1.63	2
SB12S12BH	3/4 – 7/8	91	27	24.43	4.85	12.24	1.75	2.57	1.63	2
SB12S14BH	3/4 – 7/8	104	29	26.43	4.85	14.24	1.75	2.57	1.63	2
SB12S16BH	3/4 – 7/8	125	31.16	28.59	4.85	16.36	1.75	2.57	1.63	2

15-Ton 1-Sheave Snatch Blocks, with Hook, 8-16 inches

SB15S8BH	3/4 – 7/8	64	23.66	20.91	4.85	8.24	2.09	2.75	1.94	2.5
SB15S10BH	3/4 – 7/8	77	25.66	22.91	4.85	10.24	2.09	2.75	1.94	2.5
SB15S12BH	3/4 – 7/8	97	27.66	24.91	4.85	12.24	2.09	2.75	1.94	2.5
SB15S14BH	3/4 – 7/8	108	29.66	26.91	4.85	14.24	2.09	2.75	1.94	2.5
SB15S16BH	3/4 – 7/8	136	31.82	29.07	4.85	16.36	2.09	2.75	1.94	2.5

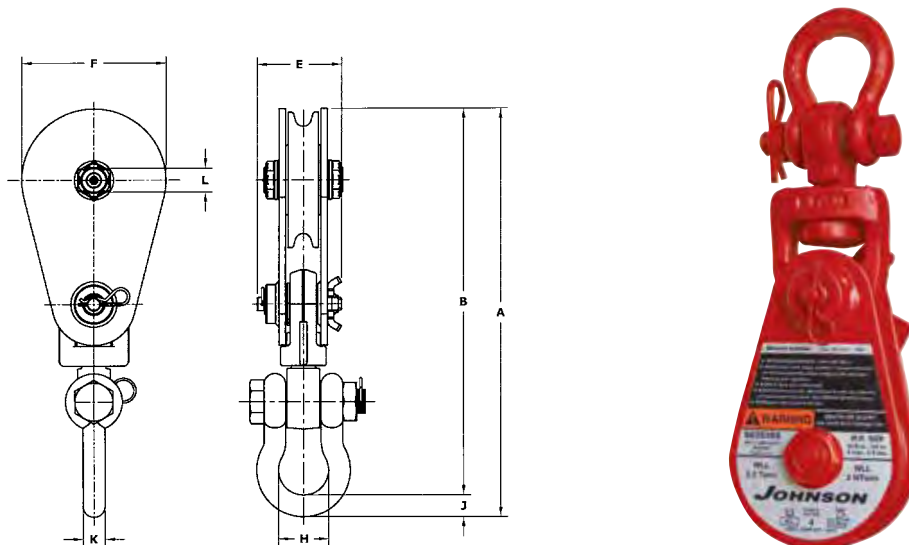
20-Ton 1-Sheave Snatch Blocks, with Hook, 8-18 inches

SB20S8BH	1 – 1 1/8	81	26.15	23.27	5.83	8.24	2.04	2.88	2.25	2.25
SB20S10BH	1 – 1 1/8	95	28.15	25.27	5.83	10.24	2.04	2.88	2.25	2.25
SB20S12BH	1 – 1 1/8	105	30.15	27.27	5.83	12.24	2.04	2.88	2.25	2.25
SB20S14BH	1 – 1 1/8	117	32.15	29.27	5.83	14.24	2.04	2.88	2.25	2.25
SB20S16BH	1 – 1 1/8	148	34.15	31.27	5.83	16.24	2.04	2.88	2.25	2.25
SB20S18BH	1 – 1 1/8	172	36.15	33.27	5.83	18.24	2.04	2.88	2.25	3

30-Ton 1-Sheave Snatch Blocks, with Hook, 20-24 inches

SB30S20BH	1 1/8 – 1 1/4	299	44.36	41.37	5.8	20.24	2.9	2.99	3.5	3.5
SB30S24BH	1 1/8 – 1 1/4	373	48.36	45.37	5.8	24.24	2.9	2.99	3.5	3.5

For snatch block warnings and use limitations, see pages 147-148



Key to one Snatch Block model numbers

SB	4	S	4	B	E
Single Shv. Snatch Block	Working Load Limit (Metric Tons)	No. of Sheaves: S = 1	Shv. size – Nom. O.D.	Sheave Bearing: B = Bronze Bushed R = Roller Bearing	Type of Fitting: S = Shackle

To order, please specify:

- Model number
- Special wire rope sizes (other than standard)

2-Ton 1-Sheave Snatch Blocks, with Shackle, 3 inches

Model no.	Standard Wire Rope Size	Wt.	a Overall Length	b Net Length	e Thickness	f Width	h Width at Bow	j Shackle Thickness	k Shackle Width	l Center Pin Dia.
SB2S3BS	5/16–3/8	5	9.90	9.40	2.72	3.20	1.25	0.50	0.44	0.75

4-Ton 1-Sheave Snatch Blocks, with Shackle, 4-1/2 - 14 inches

SB4S4BS	3/8 - 1/2	16	14.68	13.80	3.63	4.76	2.00	0.88	0.88	1.00
SB4S6BS	3/8 - 1/2	21	16.86	15.98	3.63	6.26	2.00	0.88	0.88	1.00
SB4S8BS	3/8 - 1/2	26	18.86	17.98	3.63	8.26	2.00	0.88	0.88	1.00
SB4S10BS	3/8 - 1/2	35	20.92	20.04	3.63	10.26	2.00	0.88	0.88	1.25
SB4S12BS	3/8 - 1/2	42	22.92	22.04	3.63	12.26	2.00	0.88	0.88	1.25
SB4S14BS	3/8 - 1/2	51	24.92	24.04	3.63	14.26	2.00	0.88	0.88	1.25

8-Ton 1-Sheave Snatch Blocks, with Shackle, 6-14 inches

SB8S6BS	5/8 - 3/4	29	19.18	18.18	4.02	6.24	2.31	1.00	1.00	1.50
---------	-----------	----	-------	-------	------	------	------	------	------	------

For snatch block warnings and use limitations, see pages 147-148

8-Ton 1-Sheave Snatch Blocks, with Shackle, 6-14 inches (continued)

Model No.	Standard Wire Rope Size	Wt.	a Overall Length	b Net Length	e Thickness	f Width	h Width at Bow	j Shackle Thickness	k Shackle Width	l Center Pin Dia.
SB8S8BS	5/8 - 3/4	37	21.18	20.18	4.02	8.24	2.31	1.00	1.00	1.50
SB8S10BS	5/8 - 3/4	43	23.18	22.18	4.02	10.24	2.31	1.00	1.00	1.50
SB8S12BS	5/8 - 3/4	54	25.21	24.21	4.02	12.18	2.31	1.00	1.00	1.50
SB8S14BS	5/8 - 3/4	66	27.21	26.21	4.02	14.18	2.31	1.00	1.00	1.50

12-Ton 1-Sheave Snatch Blocks, with Shackle, 6-16 inches

SB12S6BS	3/4 - 7/8	50	22.25	21.00	4.85	6.68	2.87	1.25	1.25	2.00
SB12S8BS	3/4 - 7/8	61	23.81	22.56	4.85	8.24	2.87	1.25	1.25	2.00
SB12S10BS	3/4 - 7/8	74	25.81	24.56	4.85	10.24	2.87	1.25	1.25	2.00
SB12S12BS	3/4 - 7/8	95	27.81	26.56	4.85	12.24	2.87	1.25	1.25	2.00
SB12S14BS	3/4 - 7/8	108	29.81	28.56	4.85	14.24	2.87	1.25	1.25	2.00
SB12S16BS	3/4 - 7/8	130	31.97	30.72	4.85	16.36	2.87	1.25	1.25	2.00

15-Ton 1-Sheave Snatch Blocks, with Shackle, 8-16 inches

SB15S8BS	3/4 - 7/8	62	23.81	22.56	4.85	8.24	2.87	1.25	1.25	2.50
SB15S10BS	3/4 - 7/8	75	25.81	24.56	4.85	10.24	2.87	1.25	1.25	2.50
SB15S12BS	3/4 - 7/8	95	27.81	26.56	4.85	12.24	2.87	1.25	1.25	2.50
SB15S14BS	3/4 - 7/8	106	29.81	28.56	4.85	14.24	2.87	1.25	1.25	2.50
SB15S16BS	3/4 - 7/8	134	31.97	30.72	4.85	16.36	2.87	1.25	1.25	2.50

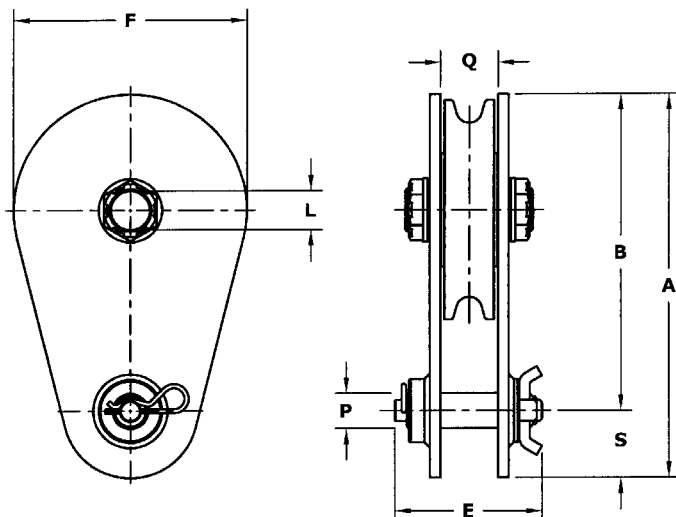
20-Ton 1-Sheave Snatch Blocks, with Shackle, 8-18 inches

SB20S8BS	1 - 1 1/8	95	28.78	27.15	5.83	8.24	4.00	1.63	1.63	2.25
SB20S10BS	1 - 1 1/8	109	30.78	29.15	5.83	10.24	4.00	1.63	1.63	2.25
SB20S12BS	1 - 1 1/8	119	32.78	31.15	5.83	12.24	4.00	1.63	1.63	2.25
SB20S14BS	1 - 1 1/8	130	34.78	33.15	5.83	14.24	4.00	1.63	1.63	2.25
SB20S16BS	1 - 1 1/8	161	36.78	35.15	5.83	16.24	4.00	1.63	1.63	2.25
SB20S18BS	1 - 1 1/8	186	38.78	37.15	5.83	18.24	4.00	1.63	1.63	3.00

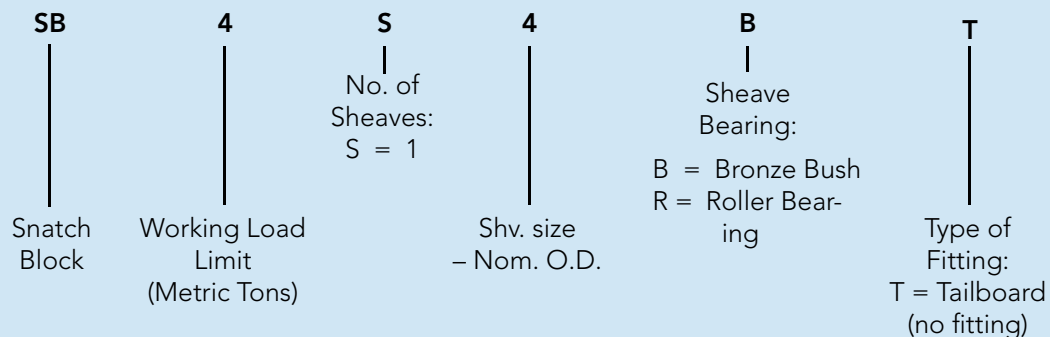
30-Ton 1-Sheave Snatch Blocks, with Shackle, 20-24 inches

SB30S20BS	1 1/8 - 1 1/4	296	44.26	42.64	5.80	20.24	4.00	1.63	1.63	3.50
SB30S24BS	1 1/8 - 1 1/4	370	48.26	46.64	5.80	24.24	4.00	1.63	1.63	3.50

For snatch block warnings and use limitations, see pages 147-148



Key to one sheave Tailboard Block model numbers



To order, please specify:

- Model number
- Special wire rope sizes (other than standard)

2-Ton 1-Sheave Tailboard Blocks, 3 inches

Model No.	Standard Wire Rope Size	Wt	A Overall Length	B Net Length	E Thickness	F Width	L Center Pin Dia.	P Pin Dia.	Q Width Between Plate	S Bottom Plate Radius
SB2S3BT	5/16 – 3/8	3.22	5.33	4.41	2.91	3.20	0.75	0.50	1.06	0.92

4-Ton 1-Sheave Tailboard Blocks, 4-1/2 - 14 inches

SB4S4BT	3/8 – 1/2	9	7.82	6.51	3.79	4.76	1	0.75	1.58	1.31
SB4S6BT	3/8 – 1/2	14	10	8.69	3.79	6.26	1	0.75	1.58	1.31
SB4S8BT	3/8 – 1/2	19	12	10.69	3.79	8.26	1	0.75	1.58	1.31
SB4S10BT	3/8 – 1/2	27	14.06	12.75	3.79	10.26	1.25	0.75	1.58	1.31

For snatch block warnings and use limitations, see pages 147-148

4-Ton 1-Sheave Tailboard Blocks, 4-1/2 - 14 inches (continued)

Model No.	Standard Wire Rope Size	Wt	A Overall Length	B Net Length	E Thickness	F Width	L Center Pin Dia.	P Pin Dia.	Q Width Between Plate	S Bottom Plate Radius
SB4S12BT	3/8 - 1/2	34	16.06	14.75	3.79	12.26	1.25	0.75	1.58	1.31
SB4S14BT	3/8 - 1/2	43	18.06	16.75	3.79	14.26	1.25	0.75	1.58	1.31

8-Ton 1-Sheave Tailboard Blocks, 6-14 inches

SB8S6BT	5/8 - 3/4	17	10.61	8.8	4.28	6.24	1.5	1	1.65	1.81
SB8S8BT	5/8 - 3/4	25	12.61	10.8	4.28	8.24	1.5	1	1.65	1.81
SB8S10BT	5/8 - 3/4	31	14.61	12.8	4.28	10.24	1.5	1	1.65	1.81
SB8S12BT	5/8 - 3/4	34	16.64	14.83	4.28	12.18	1.5	1	1.65	1.81
SB8S14BT	5/8 - 3/4	54	18.64	16.83	4.28	14.18	1.5	1	1.65	1.81

12-Ton 1-Sheave Tailboard Blocks, 6-16 inches

SB12S6BT	3/4 - 7/8	29	12.21	9.77	5.23	6.68	2	1.25	2.03	2.44
SB12S8BT	3/4 - 7/8	39	13.77	11.33	5.23	8.24	2	1.25	2.03	2.44
SB12S10BT	3/4 - 7/8	52	15.77	13.33	5.23	10.24	2	1.25	2.03	2.44
SB12S12BT	3/4 - 7/8	72	17.77	15.33	5.23	12.24	2	1.25	2.03	2.44
SB12S14BT	3/4 - 7/8	85	19.77	17.33	5.23	14.24	2	1.25	2.03	2.44
SB12S16BT	3/4 - 7/8	108	21.93	19.49	5.23	16.36	2	1.25	2.03	2.44

15-Ton 1-Sheave Tailboard Blocks, 8-16 inches

SB15S8BT	3/4 - 7/8	39	13.77	11.33	5.23	8.24	2.5	1.25	2.03	2.44
SB15S10BT	3/4 - 7/8	52	15.77	13.33	5.23	10.24	2.5	1.25	2.03	2.44
SB15S12BT	3/4 - 7/8	71	17.77	15.33	5.23	12.24	2.5	1.25	2.03	2.44
SB15S14BT	3/4 - 7/8	82	19.77	17.33	5.23	14.24	2.5	1.25	2.03	2.44
SB15S16BT	3/4 - 7/8	110	21.93	19.49	5.23	16.36	2.5	1.25	2.03	2.44

20-Ton 1-Sheave Tailboard Blocks, 8-18 inches

SB20S8BT	1 - 1 1/8	46	14.24	11.8	6.16	8.24	2.25	1.63	2.53	2.44
SB20S10BT	1 - 1 1/8	60	16.24	13.8	6.16	10.24	2.25	1.63	2.53	2.44
SB20S12BT	1 - 1 1/8	70	18.24	15.8	6.16	12.24	2.25	1.63	2.53	2.44
SB20S14BT	1 - 1 1/8	81	20.24	17.8	6.16	14.24	2.25	1.63	2.53	2.44
SB20S16BT	1 - 1 1/8	112	22.24	19.8	6.16	16.24	2.25	1.63	2.53	2.44
SB20S18BT	1 - 1 1/8	137	24.24	21.8	6.16	18.24	3	1.63	2.53	2.44

30-Ton 1-Sheave Tailboard Blocks, 20-24 inches

SB30S20BT	1 1/8 - 1 1/4	228	27.34	24.68	6.3	20.24	3.5	2.25	2.53	2.66
SB30S24BT	1 1/8 - 1 1/4	300	31.34	28.68	6.3	24.24	3.5	2.25	2.53	2.66

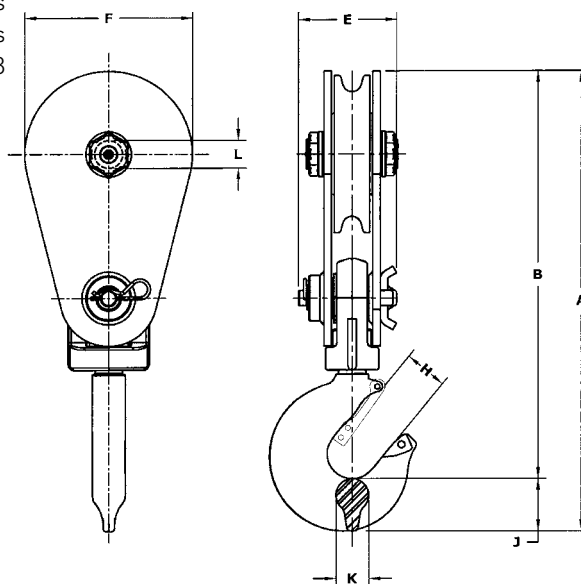
One Sheave Top Deadend Snatch Blocks with Hook

4 through 20-ton capacities

4 to 1 design factor

4-1/2 through 14-inch diameters

For snatch block warnings and use limitations, see pages 147-148



Key to one sheave Top Deadend Snatch Block with hook model numbers

TD	3	S	4	B	H
Top Deadend Working Load Snatch Block Limits (Metric Tons)	No. of Sheaves: S = 1	Shv. size – Nom. O.D.	Sheave Bearing: B = Bronze Bush R = Roller Bearing	Type of Fitting: H = Hook	

"J" Latch is standard equipment

To order please specify:

- Model number
- Special wire rope sizes (other than standard)

4-Ton 1-Sheave Top Deadend Snatch Blocks with Hook, 4-1/2 - 8 inches

Model No.	Standard Wire Rope Size	Wt. w/ LAT	A Overall Length	B Net Length	E Thickness	F Width	H Throat Opening With Latch	J Hook Thickness	K Hook Width	L Center Pin Dia.	P Pin Dia.	Q Width Betwn. Plates	S Dead End Loc.
TD4S4BH	3/8 – 1/2	18	17.72	15.87	3.63	4.76	1.41	1.85	1.13	1	0.86	1.74	1.06
TD4S6BH	3/8 – 1/2	22	19.22	17.37	3.63	6.26	1.41	1.85	1.13	1	0.86	1.74	1.06
TD4S8BH	3/8 – 1/2	27	21.22	19.37	3.63	8.26	1.41	1.85	1.13	1	0.86	1.74	1.06

8-Ton 1-Sheave Top Deadend Snatch Blocks with Hook, 6-14 inches

TD8S6BH	5/8 – 3/4	30	21.77	19.71	4.02	6.24	1.88	2.06	1.38	1.5	1.07	1.93	1.37
---------	-----------	----	-------	-------	------	------	------	------	------	-----	------	------	------

For snatch block warnings and use limitations, see pages 147-148

8-Ton 1-Sheave Top Deadend Snatch Blocks with Hook, 6-14 inches (continued)

Model No.	Standard Wire Rope Size	Wt. w/ LAT	A Overall Length	B Net Length	E Thick-ness	F Width	H Throat Opening With Latch	J Hook Thick-ness	K Hook Width	L Center Pin Dia.	P Pin Dia.	Q Width Betwn. Plates	S Dead End Loc.
TD8S8BH	5/8 – 3/4	38	23.77	21.71	4.02	8.24	1.88	2.06	1.38	1.5	1.07	1.93	1.37
TD8S10BH	5/8 – 3/4	45	25.77	23.71	4.02	10.24	1.88	2.06	1.38	1.5	1.07	1.93	1.37
TD8S12BH	5/8 – 3/4	57	27.68	25.62	4.02	12.18	1.88	2.06	1.38	1.5	1.07	1.93	1.37
TD8S14BH	5/8 – 3/4	69	29.68	27.62	4.02	14.18	1.88	2.06	1.38	1.5	1.07	1.93	1.37

12-Ton 1-Sheave Top Deadend Snatch Blocks with Hook, 6-14 inches

TD12S6BH	3/4 – 7/8	53	24.35	21.78	4.85	6.68	2.47	2.57	1.63	2	1.33	2.43	1.37
TD12S8BH	3/4 – 7/8	62	25.88	23.31	4.85	8.24	2.47	2.57	1.63	2	1.33	2.43	1.37
TD12S10BH	3/4 – 7/8	75	27.88	25.31	4.85	10.24	2.47	2.57	1.63	2	1.33	2.43	1.37
TD12S12BH	3/4 – 7/8	95	29.88	27.31	4.85	12.24	2.47	2.57	1.63	2	1.33	2.43	1.37
TD12S14BH	3/4 – 7/8	108	31.88	29.31	4.85	14.24	2.47	2.57	1.63	2	1.33	2.43	1.37

15-Ton 1-Sheave Top Deadend Snatch Blocks with Hook, 8-14 inches

TD15S8BH	3/4 – 7/8	66	26.54	23.79	4.85	8.24	2.38	2.75	1.94	2.5	1.33	2.43	1.37
TD15S10BH	3/4 – 7/8	79	28.54	25.79	4.85	10.24	2.38	2.75	1.94	2.5	1.33	2.43	1.37
TD15S12BH	3/4 – 7/8	98	30.54	27.79	4.85	12.24	2.38	2.75	1.94	2.5	1.33	2.43	1.37
TD15S14BH	3/4 – 7/8	109	32.54	29.79	4.85	14.24	2.38	2.75	1.94	2.5	1.33	2.43	1.37

20-Ton 1-Sheave Top Deadend Snatch Blocks with Hook, 14 inches

TD20S14BH	1 – 1 1/8	132	36.47	33.59	5.83	14.24	2.36	2.88	2.25	2.25	1.69	2.93	2.31
-----------	-----------	-----	-------	-------	------	-------	------	------	------	------	------	------	------



WARNING

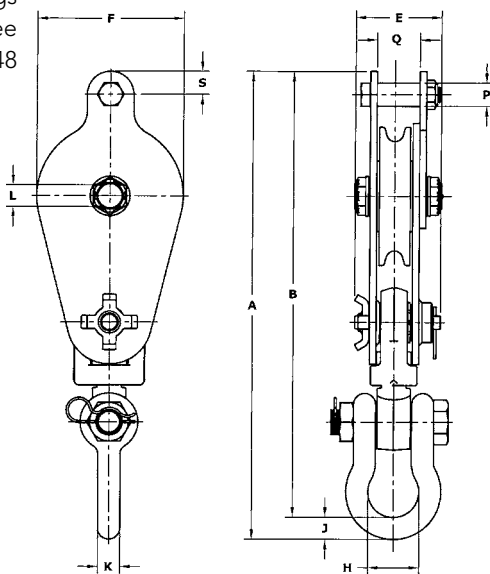
One Sheave Top Deadend Snatch Blocks with Shackle

4 through 20-ton capacities

4 to 1 design factor

4-1/2 through 14-inch diameters

For snatch block warnings and use limitations, see pages 147-148



Key to one sheave Top Deadend Snatch block with hook model numbers

TD	3	S	4	B	H
Top Deadend Snatch Block	Working Load Limit (Metric Tons)	No. of Sheaves: S = 1	Shv. size – Nom. O.D.	Sheave Bearing: B = Bronze Bush R = Roller Bearing	Type of Fitting: H = Hook

"J" Latch is standard equipment

To order please specify:

- Model number
- Special wire rope sizes (other than standard)

4-Ton 1-Sheave Top Deadend Snatch Blocks with Shackle, 4-1/2 - 8 inches

Model No.	Standard Wire Rope Size	Wt.	A Overall Length	B Net Length	E Thickness	F Width	H Inside Width at Bow	J Shackle Thickness	K Shackle Width	L Center Pin Dia.	P Pin Dia.	Q Width Between Plates	S Dead End Location
TD4S4BS	3/8 - 1/2	19	17.61	16.73	3.63	4.76	2	0.88	0.88	1	0.86	1.74	1.06
TD4S6BS	3/8 - 1/2	23	19.11	18.23	3.63	6.26	2	0.88	0.88	1	0.86	1.74	1.06
TD4S8BS	3/8 - 1/2	28	21.11	20.24	3.63	8.26	2	0.88	0.88	1	0.86	1.74	1.06

8-Ton 1-Sheave Top Deadend Snatch Blocks with Shackle, 6-14 inches

TD8S6BS	5/8 - 3/4	32	21.87	20.87	4.02	6.24	2.31	1	1	1.5	1.07	1.93	1.37
---------	-----------	----	-------	-------	------	------	------	---	---	-----	------	------	------



WARNING

NEVER EXCEED RATED WORKING LOAD LIMIT One Sheave Top Deadend Snatch Blocks with Shackle 141

For snatch block warnings and use limitations, see pages 147-148

8-Ton 1-Sheave Top Deadend Snatch Blocks with Shackle, 6-14 inches (continued)

Model No.	Standard Wire Rope Size	Wt.	A Overall Length	B Net Length	E Thickness	F Width	H Inside Width at Bow	J Shackle Thick-ness	K Shackle Width	L Center Pin Dia.	P Pin Dia.	Q Width Between Plates	S Dead End Location
TD8S8BS	5/8 – 3/4	40	23.87	22.87	4.02	8.24	2.31	1	1	1.5	1.07	1.93	1.37
TD8S10BS	5/8 – 3/4	47	25.87	24.87	4.02	10.24	2.31	1	1	1.5	1.07	1.93	1.37
TD8S12BS	5/8 – 3/4	59	27.78	26.78	4.02	12.18	2.31	1	1	1.5	1.07	1.93	1.37
TD8S14BS	5/8 – 3/4	71	29.78	28.78	4.02	14.18	2.31	1	1	1.5	1.07	1.93	1.37

12-Ton 1-Sheave Top Deadend Snatch Blocks with Shackle, 6-14 inches

TD12S6BS	3/4 – 7/8	57	25.16	23.91	4.85	6.68	2.87	1.25	1.25	2	1.33	2.43	1.37
TD12S8BS	3/4 – 7/8	66	26.69	25.44	4.85	8.24	2.87	1.25	1.25	2	1.33	2.43	1.37
TD12S10BS	3/4 – 7/8	79	28.69	27.44	4.85	10.24	2.87	1.25	1.25	2	1.33	2.43	1.37
TD12S12BS	3/4 – 7/8	99	30.69	29.44	4.85	12.24	2.87	1.25	1.25	2	1.33	2.43	1.37
TD12S14BS	3/4 – 7/8	112	32.69	31.44	4.85	14.24	2.87	1.25	1.25	2	1.33	2.43	1.37

15-Ton 1-Sheave Top Deadend Snatch Blocks with Shackle, 8-14 inches

TD15S8BS	3/4 – 7/8	64	26.69	25.44	4.85	8.24	2.87	1.25	1.25	2.5	1.33	2.43	1.37
TD15S10BS	3/4 – 7/8	77	28.69	27.44	4.85	10.24	2.87	1.25	1.25	2.5	1.33	2.43	1.37
TD15S12BS	3/4 – 7/8	96	30.69	29.44	4.85	12.24	2.87	1.25	1.25	2.5	1.33	2.43	1.37
TD15S14BS	3/4 – 7/8	107	32.69	31.44	4.85	14.24	2.87	1.25	1.25	2.5	1.33	2.43	1.37

20-Ton 1-Sheave Top Deadend Snatch Blocks with Shackle, 14 inches

TD20S14BS	1 – 1 1/8	146	39.1	37.48	5.83	14.24	4	1.63	1.63	2.25	1.69	2.93	2.31
-----------	-----------	-----	------	-------	------	-------	---	------	------	------	------	------	------



WARNING

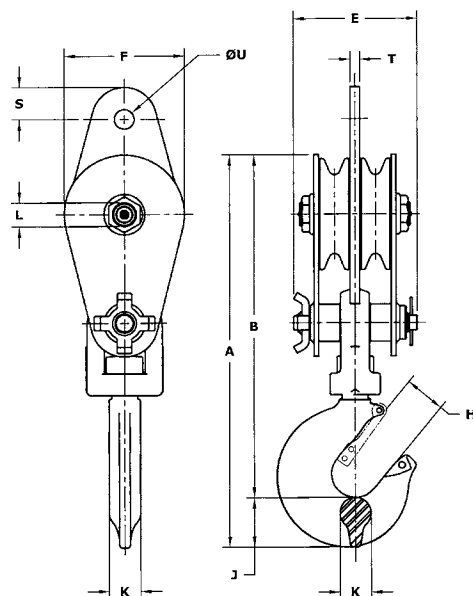
Two Sheave Snatch Blocks with Hook

8 through 20-ton capacities

4 to 1 design factor

4-1/2 through 14-inch diameters

For snatch block warnings and use limitations, see pages 147-148



Key to two Sheave Snatch Block with hook model numbers

DB	15	D	12	B	H
Dbl. Shv. Snatch Block	Working Load Limit (Metric Tons)	No. of Shvs: D = 2	Shv. size – Nom. O.D.	Sheave Bearing:	Type of Fitting: H = Hook
				B = Bronze Bush R = Roller Bearing	

"J" Latch is standard equipment

To order please specify:

- Model number
- Special wire rope sizes (other than standard)

8-Ton 2-Sheave Snatch Blocks, with Hook, 4-1/2 - 6 inches

Model No.	Standard Wire Rope Size	Wt. w/ LAT	A Overall Length	B Net Length	E Thick-ness	F Width	H Throat Opening With Latch	J Hook Thickness	K Hook Width	L Center Pin Dia.	S Dead End Location	T Dead End Thick	U Hole Dia.
DB8D4BH	3/8 – 1/2	28	17.47	15.41	5.77	4.76	1.53	2.06	1.38	1	1.37	0.39	0.76
DB8D6BH	3/8 – 1/2	37	18.97	16.91	5.77	6.26	1.53	2.06	1.38	1	1.37	0.39	0.76

12-Ton 2-Sheave Snatch Blocks, with Hook, 6-14 inches

DB12D6BH	5/8 – 3/4	52	20.47	17.9	6.46	6.24	1.75	2.57	1.63	1.5	1.74	0.52	1.03
----------	-----------	----	-------	------	------	------	------	------	------	-----	------	------	------

For snatch block warnings and use limitations, see pages 147-148

12-Ton 2-Sheave Snatch Blocks, with Hook, 6-14 inches (continued)

Model No.	standard Wire Rope Size	Wt. w/ LAT	A Overall Length	B Net Length	E Thick-ness	F Width	H Throat Opening With Latch	J Hook Thickness	K Hook Width	L Center Pin Dia.	S Dead End Location	T Dead End Thick	U Hole Dia.
DB12D8BH	5/8 – 3/4	63	22.47	19.9	6.46	8.24	1.75	2.57	1.63	1.5	1.74	0.52	1.03
DB12D10BH	5/8 – 3/4	78	24.47	21.9	6.46	10.24	1.75	2.57	1.63	1.5	1.74	0.52	1.03
DB12D12BH	5/8 – 3/4	102	26.44	23.87	6.46	12.18	1.75	2.57	1.63	1.5	1.74	0.52	1.03
DB12D14BH	5/8 – 3/4	125	28.44	25.87	6.46	14.18	1.75	2.57	1.63	1.5	1.74	0.52	1.03

15-Ton 2-Sheave Snatch Blocks, with Hook, 6-14 inches

DB15D6BH	5/8 – 3/4	47	21.58	18.83	6.46	6.68	2.09	2.75	1.94	1.5	1.74	0.52	1.03
DB15D8BH	3/4 – 7/8	72	23.13	20.38	6.46	8.24	2.09	2.75	1.94	1.5	1.74	0.52	1.03
DB15D10BH	3/4 – 7/8	84	25.13	22.38	6.46	10.24	2.09	2.75	1.94	1.5	1.74	0.52	1.03
DB15D12BH	3/4 – 7/8	107	27.1	24.35	6.46	12.18	2.09	2.75	1.94	1.5	1.74	0.52	1.03
DB15D14BH	3/4 – 7/8	130	29.1	26.35	6.46	14.18	2.09	2.75	1.94	1.5	1.74	0.52	1.03

20-Ton 2-Sheave Snatch Blocks, with Hook, 8-14 inches

DB20D8BH	1 – 1 1/8	92	25.62	22.74	7.77	8.24	2.04	2.88	2.25	2	1.81	0.52	1.19
DB20D10BH	1 – 1 1/8	125	27.62	24.74	7.77	10.24	2.04	2.88	2.25	2	1.81	0.52	1.19
DB20D12BH	1 – 1 1/8	157	29.62	26.74	7.77	12.24	2.04	2.88	2.25	2	1.81	0.52	1.19
DB20D14BH	1 – 1 1/8	185	31.62	28.74	7.77	14.24	2.04	2.88	2.25	2	1.81	0.52	1.19

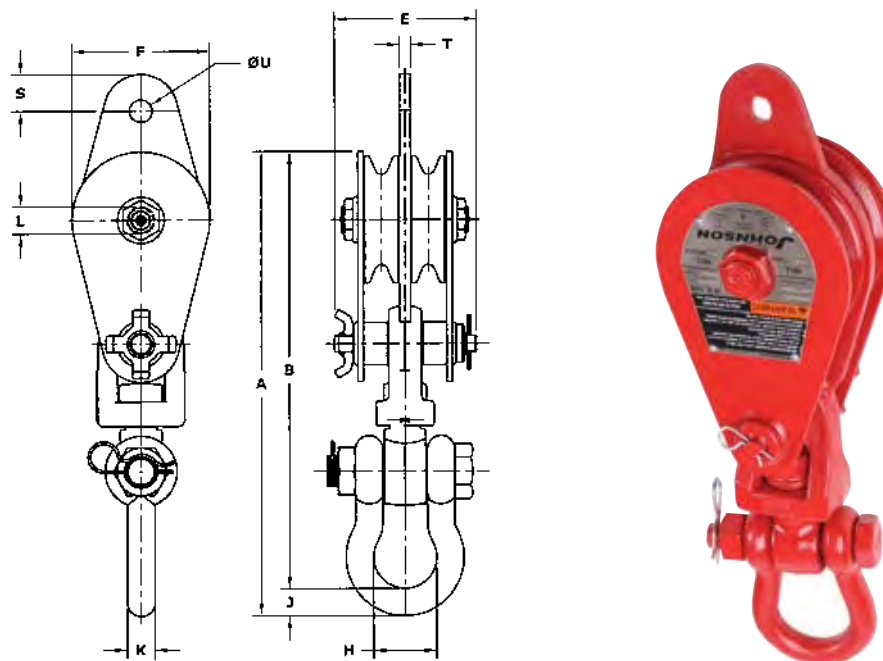
Two Sheave Snatch Blocks with Shackle

8 through 20-ton capacities

4 to 1 design factor

4-1/2 through 14-inch diameters

For snatch block warnings and use limitations, see pages 147-148



Key to two sheave Snatch Block with shackle model numbers

DB	8	D	4	B	S
Dbl. Shv. Snatch Block	Working Load Limit (Metric Tons)	No. of Shvs: D = 2	Shv. size – Nom. O.D.	Sheave Bearing: B = Bronze Bush R = Roller Bearing	Type of Fitting: S = Shackle

To order please specify:

- Model number
- Special wire rope sizes (other than standard)

8-Ton 2-Sheave Snatch Blocks, with Shackle, 4-1/2 - 6 inches

Model No.	Standard Wire Rope Size	Wt	A Overall Length	B Net Length	E Thickness	F Width	H Width at Bow	J Shackle Thickness	K Shackle Width	L Center Pin Dia.	S Dead End Location	T Dead End Thick	U Hole Dia.
DB8D4BS	3/8 – 1/2	28	17.57	16.57	5.77	4.76	2.31	1	1	1	1.37	0.39	0.76
DB8D6BS	3/8 – 1/2	38	19.07	18.07	5.77	6.26	2.31	1	1	1	1.37	0.39	0.76

12-Ton 2-Sheave Snatch Blocks, with Shackle, 6-14 inches

DB12D6BS	5/8 – 3/4	56	21.28	20.03	6.46	6.24	2.87	1.25	1.25	1.5	1.74	0.52	1.03
----------	-----------	----	-------	-------	------	------	------	------	------	-----	------	------	------

For snatch block warnings and use limitations, see pages 147-148

12-Ton 2-Sheave Snatch Blocks, with Shackle, 4-6 inches (continued)

Model No.	Standard Wire Rope Size	Wt.	A Overall Length	B Net Length	E Thickness	F Width	H Width at Bow	J Shackle Thickness	K Shackle Width	L Center Pin Dia.	S Dead End Location	T Dead End Thick	U Hole Dia.
DB12D8BS	5/8 – 3/4	71	23.28	22.03	6.46	8.24	2.87	1.25	1.25	1.5	1.74	0.52	1.03
DB12D10BS	5/8 – 3/4	82	25.28	24.03	6.46	10.24	2.87	1.25	1.25	1.5	1.74	0.52	1.03
DB12D12BS	5/8 – 3/4	106	27.25	26	6.46	12.18	2.87	1.25	1.25	1.5	1.74	0.52	1.03
DB12D14BS	5/8 – 3/4	129	29.25	28	6.46	14.18	2.87	1.25	1.25	1.5	1.74	0.52	1.03

15-Ton 2-Sheave Snatch Blocks, with Shackle, 6-14 inches

DB15D6BS	5/8 – 3/4	45	21.73	20.48	6.46	6.68	2.87	1.25	1.25	1.5	1.74	0.52	1.03
DB15D8BS	3/4 – 7/8	70	23.28	22.03	6.46	8.24	2.87	1.25	1.25	1.5	1.74	0.52	1.03
DB15D10BS	3/4 – 7/8	82	25.28	24.03	6.46	10.24	2.87	1.25	1.25	1.5	1.74	0.52	1.03
DB15D12BS	3/4 – 7/8	105	27.25	26	6.46	12.18	2.87	1.25	1.25	1.5	1.74	0.52	1.03
DB15D14BS	3/4 – 7/8	128	29.25	28	6.46	14.18	2.87	1.25	1.25	1.5	1.74	0.52	1.03

20-Ton 2-Sheave Snatch Blocks, with Shackle, 8-20 inches

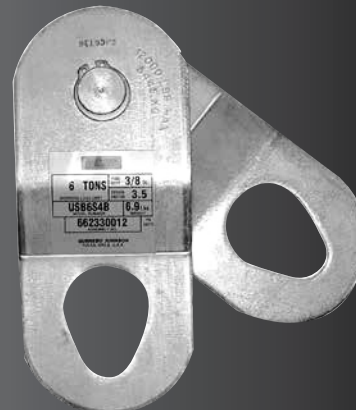
DB20D8BS	1 – 1 1/8	107	28.25	26.63	7.77	8.24	4	1.63	1.63	2	1.81	0.52	1.19
DB20D10BS	1 – 1 1/8	139	30.25	28.63	7.77	10.24	4	1.63	1.63	2	1.81	0.52	1.19
DB20D12BS	1 – 1 1/8	171	32.25	30.63	7.77	12.24	4	1.63	1.63	2	1.81	0.52	1.19
DB20D14BS	1 – 1 1/8	199	34.25	32.63	7.77	14.24	4	1.63	1.63	2	1.81	0.52	1.19

MULTI-PURPOSE SNATCH BLOCK

GREAT FOR OFF-ROAD APPLICATIONS !

- 6 Ton Working Load Limit*
- 4" Sheave Diameter*
- 3.5 to 1 Design Factor*
- 3/8" Wire Rope*
- Anti-Corrosion Zinc Plated*
- Fits over 2" Trailer Ball*

Model USB6S4B



Snatch Block Warnings and Use Limitations

This document contains warnings and use limitation information applicable to Gunnebo Johnson Corporation Snatch Blocks and is furnished with all Gunnebo Johnson Corporation shipments. Component distributors and lift system manufacturers must pass on this information in their warnings and use limitation literature where Gunnebo Johnson Corporation Snatch Blocks are involved.



Protect yourself and others

- **NEVER** use a Snatch Block without training.
- **ALWAYS** inform yourself ... Ask your employer for the Snatch Block safe use instructions.
- **ALWAYS** comply with applicable Federal and local regulations.
- **ALWAYS** know applied lift system load.
- **NEVER** use a Snatch Block without a legible product identifier.
- **NEVER** overload a Snatch Block.
- **NEVER** ride on a Snatch Block or load.
- **NEVER** rig a Snatch Block improperly.
- **NEVER** use a worn – out or damaged Snatch Block.
- **NEVER** use a Snatch Block in extreme temperatures.
- **NEVER** use a Snatch Block in alkaline acidic conditions.

- **Never use a Snatch Block without training.** OSHA regulation requires responsible work practice.

“The employer shall permit only those employees qualified by training or experience to operate equipment or machinery” – OSHA 1926.20 (b) (4).

Employee training should include information given in OSHA training literature, ASME B30.26 - 2010 “Rigging Hardware” standard, lift system manufacturer’s literature, Gunnebo Johnson Corporation’s DVD of “Recommended Inspection Practices for Johnson Lifting Accessories”, and this document.

- **Always inform yourself.** Ask your employer for Snatch Block safe use instruction.

The employer shall instruct each employee in the recognition and avoidance of unsafe conditions and the regulations applicable to his work environment to control or eliminate any hazards or other exposure to illness or injury” – OSHA 1926.21 (b) (2).

- **Always comply with applicable Federal and local regulations.** Federal and local regulations govern worksite activity.

Understand all governing laws and safety standards before use of Snatch Blocks in lift systems.

“If a particular standard is specifically applicable to a condition, practice, means, method, operation, or process, it shall prevail over any different general standard...” — OSHA 1910.5 (c) (1).

Contact OSHA at (800) 321-6742, or www.OSHA.gov and ASME at (800) 843-2763, or www.ASME.org for reference assistance.

- **Always know applied lift system load.** Avoid improper Snatch Block selection.

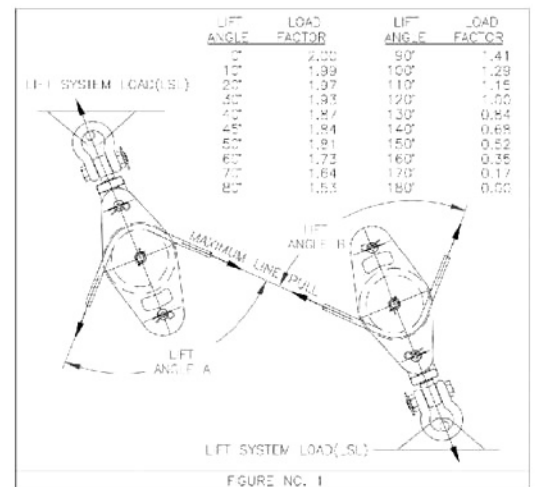
Lift system load (LSL) applied to the snatch block fitting is based upon line pull (LP) and load factor (LF) for a given lift angle (LA).

Maximum LSL applied to snatch block fitting must be known for proper snatch block selection.

LSL is calculated by the following formula:

$LSL = (LP) * (LF)_{LA}$ See illustration and table in Figure No. 1. LSL must be calculated for each snatch block in the lift system.

Snatch Block Working Load Limit (WLL) with appropriate design factor shall be equal to or greater than the corresponding maximum LSL.



- **Never use a Snatch Block without a legible product identifier.** Product Identification is required to insure proper application.

Snatch Blocks have a product identifier giving WLL, design factor, wire rope range, and important user warnings. The information is required for confirmation of proper application prior to use.

Example of Product Identifier



- **Never overload a Snatch Block.** Understand Working Load Limits.

The rated load of the rigging block shall not be exceeded. - ASME B 30.26-5.9.1 (b).

Working Load Limit (WLL) is the maximum working load to be applied to a Snatch Block load fitting for the given application. WLL applies to in-line loading and does not include torsional, binding, shock or side load effects.

Standard Gunnebo Johnson Corporation WLL's are based on a 4 design factor. Lift dynamics, duty cycle and lift system type may require an increased design factor, hence a reduced WLL. Inattention to required design factor can result in Snatch Block overload. Contact Gunnebo Johnson Corporation Service Department for assistance at (800) 331-5460.

- **Never ride on a Snatch Block or load.** Avoid death or injury.

General worksite regulations require; No hoisting, lowering, swinging or traveling shall be done while anyone is on the load or hook." — OSHA 1910.180 (h) (3) (v).

All portions of the human body shall be kept from between the rigging block, its running lines, the load, and any other rigging during lifting or load-handling activities. ASME B30.26-5.9.2 (a)

All employees shall be kept clear of loads about to be lifted and of suspended loads.

Snatch Blocks shall not be used in scaffold or personnel lift systems unless complying with applicable federal or local system and fall arrest regulations.

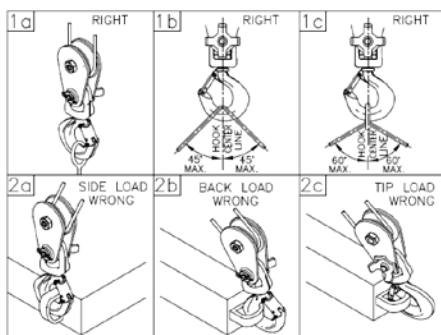
Personnel Hoisting Exception - OSHA 1926.550 (g) (2) and OSHA Directive CPL 2-1.29

- **Never rig a Snatch Block improperly.** Avoid dropped loads and snatch block damage.

Rigging shall be centered in the base (bowl/saddle) of the hook to avoid point loading of the hook and rigging disengagement. (See figure 1a, 1b, & 1c).

Snatch Blocks shall not be used in such a manner as to place a side load or back load on the Snatch Block or load fitting. (See figure 2a, 2b, & 2c).

When using a latch to close the throat opening of the hook, care shall be taken that the rigging load is not carried by the latch. Hook latches aid in the retention of loose slings under slack rigging conditions only and are not intended to be anti-fouling devices during lifting. Such fouling is extremely dangerous and shall be avoided by proper rigging and controlled lifting dynamics.



- **Never use a worn-out or damaged Snatch Block.** Avoid malfunction or failure.

A visual inspection of the Snatch Block shall be performed by a designated person each day before the Snatch Block is used.

A complete periodic inspection shall be performed by a designated person. ASME B30.26-5.8.3 (a)

Snatch Blocks shall be removed from service if conditions such as the following are present and shall only be returned to service when approved by a qualified person:

- (a) missing or illegible identification
- (b) misalignment or wobble in sheaves
- (c) excessive sheave groove corrugation or wear
- (d) missing or loose nuts, latch pin, hairpin retainer, snap rings, or other fasteners and retaining devices
- (e) indications of weld spatter or arc strikes
- (f) heated above 150°F (66°C)
- (g) excessive pitting or corrosion
- (h) bent, cracked, twisted, distorted, stretched, elongated, or broken load bearing components
- (i) excessive wear, nicks, or gouges
- (j) a 10% reduction of the original dimension for any cross-section
- (k) excessive damage to load bearing threads
- (l) evidence of unauthorized welding or modifications
- (m) for hooks, the removal criteria specified in ASME B30.10
- (n) for shackles, the removal criteria specified in ASME B 30.26
- (o) other conditions, including visible damage that cause doubts as to the continued use of the rigging block
- (p) Lack of sheave bearing lubrication. Continuous operation: lubricate bushings every 8 hours and roller bearings every 24 hours. Intermittent operation: lubricate bushings and bearing every 14 days.



- **Never use a Snatch Block in extreme temperatures.** Avoid functional or structural failure.

Snatch Blocks shall not be heated above 150°F (66°C) or used 20°F (11°C) below the service temperature given on the identification tag.

Snatch Block Working Load Limit is valid between 150°F (66°C) and service temperature given on the identification tag.

Working Load Limit must be reduced when lifting below the service temperature given on the identification tag because cold temperature begins to affect the Snatch Block material properties.

50% of the WLL must not be exceeded when lifting in temperatures between the service temperature given on the identification tag and 20° F (11°C) below the service temperature.

- **Never use a Snatch Block in alkaline or acidic conditions.** Avoid functional or structural failure.

Gunnebo Johnson Corporation Snatch Blocks shall not be used in alkaline or acidic conditions. Resulting metal embrittlement and accelerated corrosion can cause sudden failure. Hot dip galvanizing and electro-plating of Snatch Block components shall be done only by Gunnebo Johnson Corporation.