

# RP703 Double Progress Capture Pulley (non locking)

climb. work. rescue.

# ISC

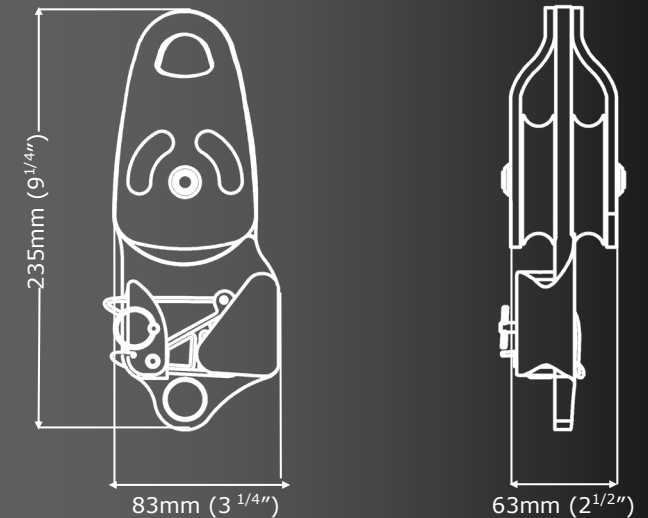
SOLUTIONS IN METAL

## Data Sheet



The ISC Progress Capture Pulleys feature a new lightweight centre plate, re-positioned wheel to reduce rope friction and a rated Becket, through which even a ANSI Karabiner can be fully rotated. The RP703 is fitted with tamper-proof rivets and is individually serial numbered. The cam-face is coned to minimise rope wear.

(PPE Directive 89/686/EC)



<b>Weight</b>	905g (32oz)
<b>Body Material</b>	Aluminium
<b>Finish</b>	Anodised
<b>Rope Size</b>	10-13mm (3/8"-1/2")
<b>WLL</b>	800kg (1764lbs)
<b>MBS</b>	40kN (8992lbf)
<b>Standards</b>	EN12278, EN567 NFPA 1983



Distributed By

## WESTECH RIGGING SUPPLY

Visit Us Online at: [www.WestechRigging.com](http://www.WestechRigging.com)

Call Us Toll Free at: 800-442-7475

Call Us or Visit Our Stores: Monday - Friday, 8:00am - 5:30pm Pacific

4140 West 11th Avenue  
Eugene, Oregon 97402

2439 McGilchrist St SE  
Salem, Oregon 97302