

CROSBY Clamp-Co® Padded Pipe Grab



CCPA



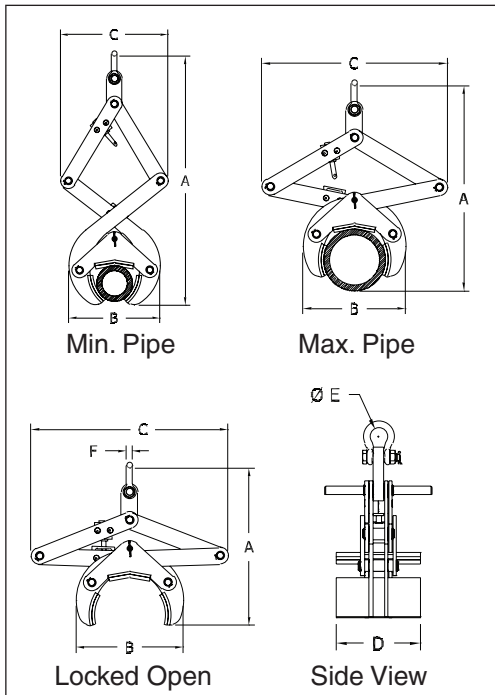
The new Crosby Clamp-Co® Adjustable Pipe Grab provides an excellent means of handling cylindrical objects. Featuring padded grabs, the new Grab offers an excellent method of handling any pipe or solid bar, 3.5” to 36”, especially where damage to material surface is not permitted.

- Capacities: 1,200 lbs. to 20,000 lbs.
- Each Grab size accommodates several diameters of pipe or solid bar.
- Auto indexing system provides quick connect and disconnect to load (one person - hands free).
- Individually Proof Tested to 2 times the Working Load Limit with certification.
- Designed to handle loads of various types of material, including:
 - Cast Iron / Steel
 - PVC
 - Painted
 - Epoxy Coated
- Finish - Red Paint
- Replacement pads are available.
- Features Crosby shackle as upper connection point.
- Custom sizes are available.
- All sizes are **RFID EQUIPPED**.
- Only Models PA-5 and PA-8 come with a shackle.



Padded Pipe Grab

Model No.	CCPA Stock No.	Working Load Limit* (lbs.)	Weight Each (lbs.)	Grip Width	Dimensions (in.)					
					A	B	C	D	E	F
PA-5	2736000	1200	23	Locked Open	13.50	10.00	18.00	6.50	1.31	.50
				Min. Pipe 3.50"	27.00	9.00	8.00			
				Max. Pipe 5.56"	23.00	9.00	14.75			
PA-8	2736009	2000	75	Locked Open	23.50	15.50	27.75	10.00	1.69	.63
				Min. Pipe 5.56"	40.50	14.50	14.00			
				Max. Pipe 8.81"	34.00	14.75	24.00			
PA-14	2736018	4500	230	Locked Open	28.75	24.00	28.50	15.50	1.50	1.00
				Min. Pipe 8.81"	46.00	22.50	13.50			
				Max. Pipe 14.00"	34.00	23.00	26.00			
PA-22	2736027	10,000	496	Locked Open	42	36	42.5	20	2.5	1.5
				Min. Pipe 14.00"	67.5	34	19			
				Max. Pipe 22.00"	52	36	40			
PA-36	2736036	20,000	1250	Locked Open	57.27	57.03	57.31	30.00	3.37	1.50
				Min. Pipe 24.00"	92.02	52.38	26.98			
				Max. Pipe 36.00"	66.36	55.03	53.24			



* Maximum Proof Load is 2 times the Working Load Limit and design factor based on EN13155 and ASME B30.20.

