

NEW IMPROVED LIGHT CHAMPION



418
With
Hook



419
With
Shackle



404
Tail
Board

- Forged alloy heat treated hooks.
- Forged steel swivel tees, yokes and shackles.
- Can be furnished with bronze bushings or roller bearings.
- Opening feature permits insertion of rope while block is suspended from gin-pole.
- 3" thru 18" 418 and 419 blocks have exclusive bolt-retaining spring to assure no lost bolts.
- Can be furnished with S-4320 hook latch.
- Pressure lube fittings.
- 3" - 10" feature dual rated Wireline sheaves.
- Fatigue rated.
- 4-1/2" and larger are **RFID EQUIPPED**.
- Meets or exceeds all requirements of ASME B30.26 including identification, ductility, design factor, proof load and temperature requirements. Importantly, these blocks meet other critical performance requirements including fatigue life and material traceability, not addressed by ASME B30.26.

418 / 419 / 404 Snatch Blocks

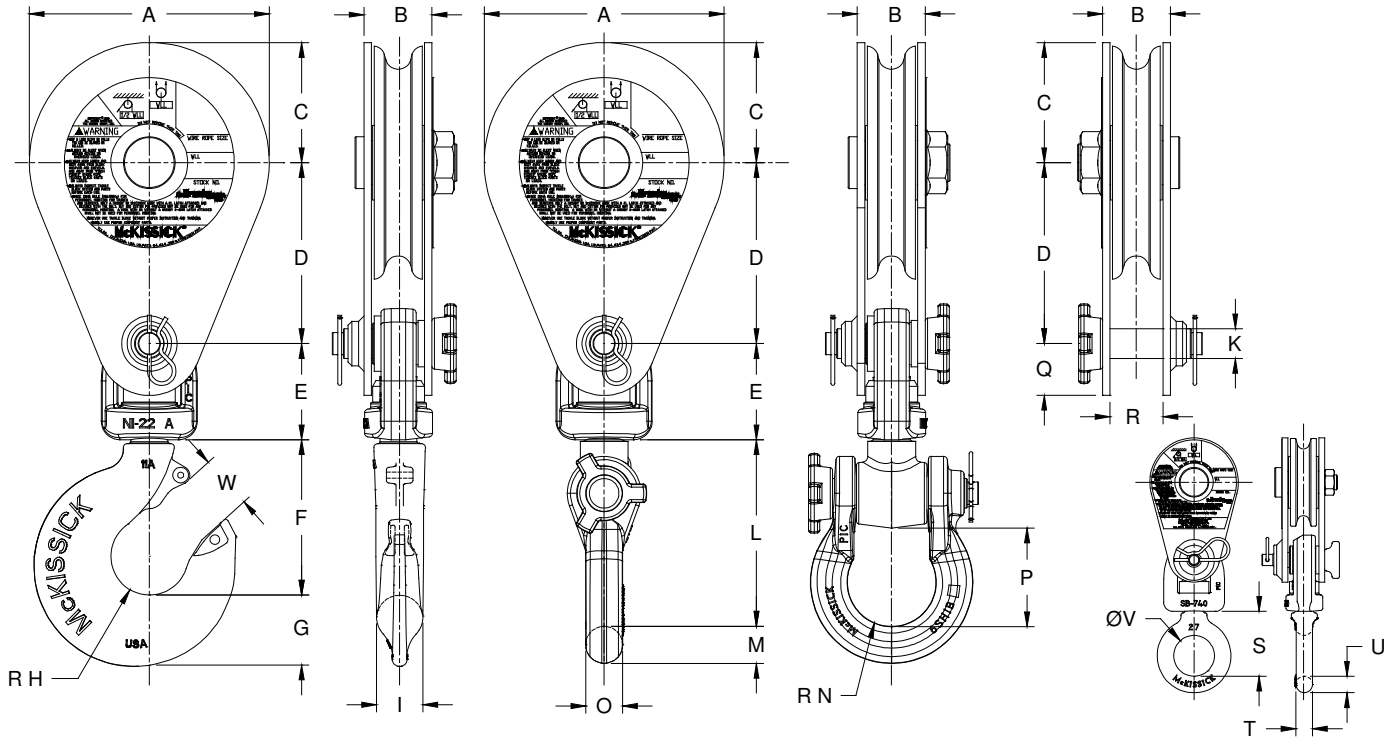
Sheave Diameter (in.)	Bearing Code	Stock No.			Wire Rope Size (in.) ‡	Working Load Limit (t)*	Weight Each (lbs.)			Rep. Sheave Stock No.	Rep. Latch Stock No.
		418 with Hook	419 with Shackle	404 Tail Board			418 with Hook	419 with Shackle	404 Tail Board		
** 3	BB	-	109091	-	5/16 - 3/8	2	-	4	-	460147	-
** 3	BB	108038	109037 †	102016	5/16 - 3/8	2	5	4	3	460147	1096421
**4-1/2	BB	108065	109064	102025	3/8 - 1/2	4	12	12	7	2000232	1096468
6	BB	108127	109126	102098	5/8 - 3/4	8	27	28	15	460815	1096562
6	RB	108154	109153	102114	5/8 - 3/4	8	27	28	15	472688	1096562
8	BB	108225	109224	102169	5/8 - 3/4	8	33	34	21	461164	1096562
8	RB	108252	109251	102187	5/8 - 3/4	8	33	34	21	473277	1096562
10	BB	108323	109322	102230	5/8 - 3/4	8	41	42	29	461805	1096562
10	RB	108350	109359	102258	5/8 - 3/4	8	41	42	29	473776	1096562
12	BB	169169	202961	178890	5/8	8	48	49	36	462270	1096562
12	RB	199911	169347	178934	5/8	8	48	49	36	474141	1096562
12	BB	108421	109420	102301	3/4	8	48	49	36	462289	1096562
12	RB	108458	109457	102329	3/4	8	48	49	36	474150	1096562
14	BB	194920	169356	-	5/8	8	55	56	-	463625	1096562
14	RB	199948	167857	-	5/8	8	55	56	-	474766	1096562
14	BB	108528	109527	-	3/4	8	55	56	-	463634	1096562
14	RB	108546	109545	-	3/4	8	55	56	-	474775	1096562
16	BB	199975	203041	-	3/4	15	130	135	-	4100056	1096609
16	RB	200008	203087	-	3/4	15	130	135	-	4200028	1096609
16	BB	108608	109607	-	7/8	15	130	135	-	4100065	1096609
16	RB	108626	109625	-	7/8	15	130	135	-	4200037	1096609
18	BB	200099	203130	-	7/8	15	150	155	-	464571	1096609
18	RB	200151	203176	-	7/8	15	150	155	-	475792	1096609
18	BB	108644	109643	-	1	15	150	155	-	4104640	1096609
18	RB	108662	109661	-	1	15	150	155	-	6000000	1096609

* Ultimate Load is 4 times the Working Load Limit. ** Available in Bronze Bushed only. 3" and 4-1/2" have self lubricating Bronze Bushing. † Fitted with 1-1/4" ID Swivel Eye. ‡ May be furnished in other rope sizes.



NOTE: When ordering, please specify: size, block number, hook or shackle, bronze bushed or roller bearing, and Wireline size.
NOTE: Tail Board does not contain the spool that is required with the hook (418) and shackle (419) snatch blocks.

McKissick® 418-419-404 Snatch Block Dimensions



SIZE	A	B	C	D	E	F	G	H	I	K	L	M
3	3.00	1.41	1.50	2.62	1.75	2.69	1.00	.75	.75	.50	2.94	.50
4.5	4.25	1.91	2.12	4.25	3.19	3.69	1.88	.94	1.00	.75	4.00	.69
6	6.00	2.28	3.00	5.12	3.31	5.12	2.31	1.31	1.50	1.00	6.25	1.25
8	8.12	2.28	4.06	6.12	3.31	5.12	2.31	1.31	1.50	1.00	6.25	1.25
10	10.12	2.28	5.06	7.19	3.31	5.12	2.31	1.31	1.50	1.00	6.25	1.25
12	12.12	2.28	6.06	9.00	3.31	5.12	2.31	1.31	1.50	1.00	6.25	1.25
14	14.12	2.28	7.06	9.50	3.31	5.12	2.31	1.31	1.50	1.00	6.25	1.25
16	16.12	3.09	8.06	11.50	3.81	5.88	2.94	1.50	1.75	1.25	6.69	1.75
18	18.12	3.09	9.06	11.75	3.81	5.88	2.94	1.50	1.75	1.25	6.69	1.75

SIZE	N	O	P	Q	R	S	T	U	V	W
3	.66	.50	1.50	.75	1.03	2.12	.56	.56	1.38	1.06
4.5	.85	.62	2.00	1.38	1.53	-	-	-	-	1.16
6	1.50	1.25	3.44	1.75	1.78	-	-	-	-	1.17
8	1.50	1.25	3.44	1.75	1.78	-	-	-	-	1.17
10	1.50	1.25	3.44	1.75	1.78	-	-	-	-	1.17
12	1.50	1.25	3.44	1.75	1.78	-	-	-	-	1.17
14	1.50	1.25	3.44	-	-	-	-	-	-	1.17
16	1.56	1.50	3.12	-	-	-	-	-	-	2.41
18	1.56	1.50	3.12	-	-	-	-	-	-	2.41

Note: All dimensions are reference.

REV.1: CONVERT TO "N" STYLE HOOKS

Classification	Section No.	Document No.	Revision No.	File Name
BLOCKS	Snatch Blocks	418-419-404_1	1	tds418-419-404_1.doc