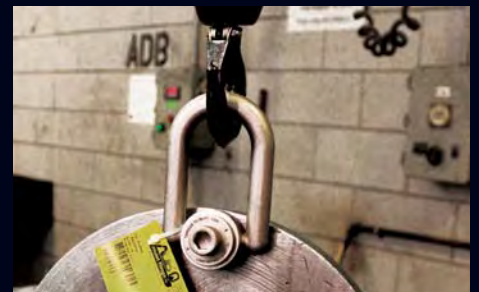
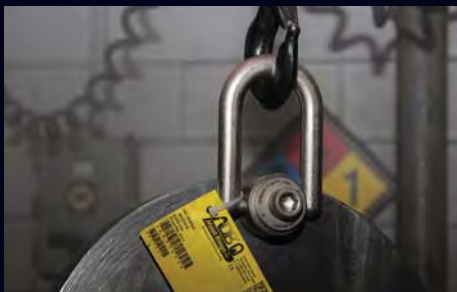




Hoist Rings Mfg.

EN-GUARD™

- Forged High Strength 4140 Alloy Steel Hoist Ring
- Corrosion Resistant Plating - Electroless Nickel (AMS-C-26074 Class 1 Grade B)
- 200% Proof Load Tested (Certificate of Test available upon request)
- Individually Serialized
- Other Standard and Metric Sizes Available
- Customizations Available
- Select Sizes from 800 - 30,000 lbs. WLL In Stock
- Swivels 360°, Pivots 180°
- Easily disassembled & reassembled for inspection
- Complies with ASME-B30.26
- 5:1 Design Factor
- Unlike eye bolts, swivel hoist rings maintain full capacity at 0 - 90 degrees from the bolt axis
- Manufactured in Valdosta, GA, USA



andley

SAFETY IS OUR BUSINESS

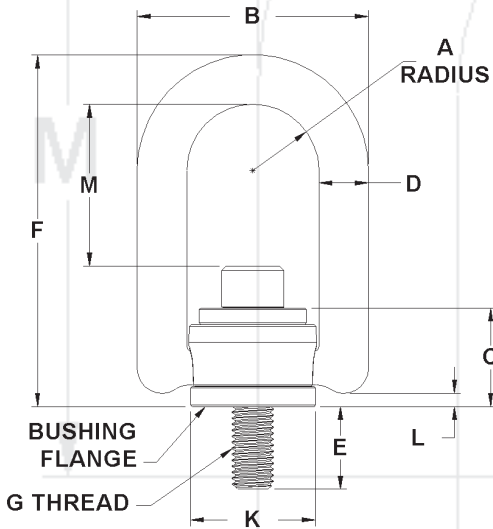


Material: Forged High Strength 4140 Alloy Steel

Design Factor: Minimum Design Factor = 5:1

Specifications: Meets ASME B30.26

Finish: Corrosion Resistant Plating - Electroless Nickel



Inch

Part No.	Rated Load (lbs)	A	B	C	D	E +/- .12	F	G	K	L	M	TL *(ft-lbs)	Weight (lbs)
EN33212	800	0.65	2.29	0.96	0.44	0.56	3.23	5/16-18	1.25	0.15	1.51	7	0.52
EN33312	1000	0.65	2.29	0.96	0.44	0.56	3.23	3/8-16	1.25	0.15	1.45	12	0.56
EN33512	2500	1	3.5	1.5	0.75	0.75	5.31	1/2-13	1.89	0.17	2.56	28	1.71
EN33614	4000	1	3.5	1.5	0.75	1	5.31	5/8-11	1.89	0.17	2.44	60	1.78
EN33714	5000	1	3.5	1.5	0.75	1	5.31	3/4-10	1.89	0.17	2.31	100	1.89
EN33102	7000	1.5	5.1	2.05	1	1.20	7.37	3/4-10	2.81	0.18	3.57	100	7.23
EN33104	8000	1.5	5.1	2.05	1	0.95	7.37	7/8-9	2.81	0.18	3.32	160	7.33
EN33105	10000	1.5	5.1	2.05	1	1.45	7.37	1" - 8	2.81	0.18	3.2	230	7.57
EN33402	15000	2	6.75	2.87	1.25	1.88	9.22	1 1/4" - 7	3.88	0.18	3.74	470	15.74
EN33424	24000	2	6.75	2.87	1.25	2.63	9.22	1 1/2" - 6	3.88	0.32	3.49	800	18.1
†EN33427	30000	2	6.75	2.87	1.25	2.96	9.22	2" - 4 1/2	3.88	0.32	3.49	1100	22.9

Metric

Part No.	Rated Load (kg)	A	B	C	D	E +/- 3.0	F	G	K	L	M	TL *(Nm)	Weight (kg)
EN34312	450	16.5	58.2	24.4	11.1	16	82	M10 x 1.5	31.8	4	36.5	16	0.25
EN34515	1050	25.4	88.9	38.1	19.1	25	134.9	M12 x 1.75	48	4.4	65	37	0.78
EN34518	1500	25.4	88.9	38.1	19.1	25	135.2	M14 x 2.0	48	4.4	65.3	45	0.79
EN34614	1900	25.4	88.9	38.1	19.1	25	134.9	M16 x 2.0	48	4.4	62	80	0.81
EN34714	2200	25.4	88.9	38.1	19.1	25	134.6	M20 x 2.5	48	4.4	58.7	135	0.86
EN34102	4200	35.6	129.5	52.1	25.4	28	187.2	M24 x 3.0	71.4	4.6	85.7	311	3.29
EN34105	4500	35.6	129.5	52.1	25.4	38	187.2	M30 x 3.5	71.4	4.6	79.7	311	3.44

† Supplied with stud and nut * Recommended Torque Load **Plating threads may subject threads to not meet standard thread tolerances

WESTECH RIGGING SUPPLY
Call Toll Free: 800-442-7475

Call Us or Visit Our Stores:
Monday - Friday, 8:00am - 5:30pm Pacific



Distributed By

Visit Us Online at: www.WestechRigging.com

4140 West 11th Avenue
Eugene, Oregon 97402

2439 McGilchrist St SE
Salem, Oregon 97302