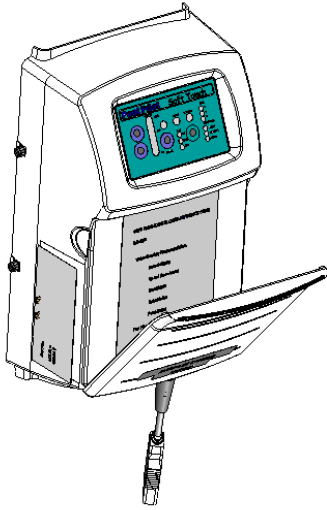
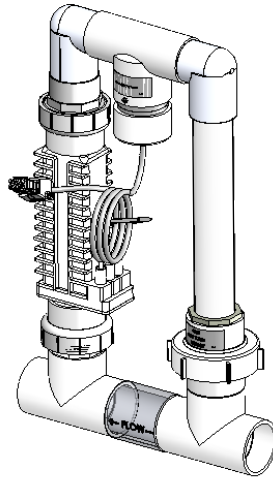


ST-220

Soft Touch



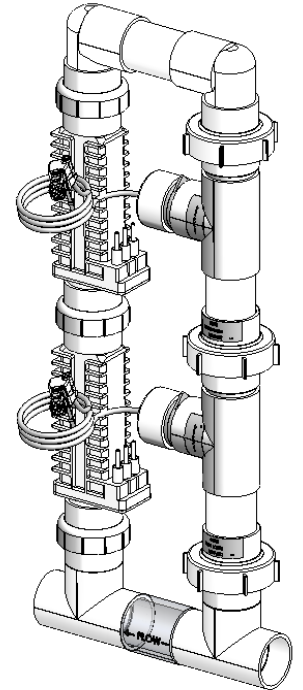
ST-220



Single System Manifold

Power Supply

PART NUMBER	DESCRIPTION
ST-220	Soft Touch Power Supply



Dual System Manifold

Single System Manifold Types

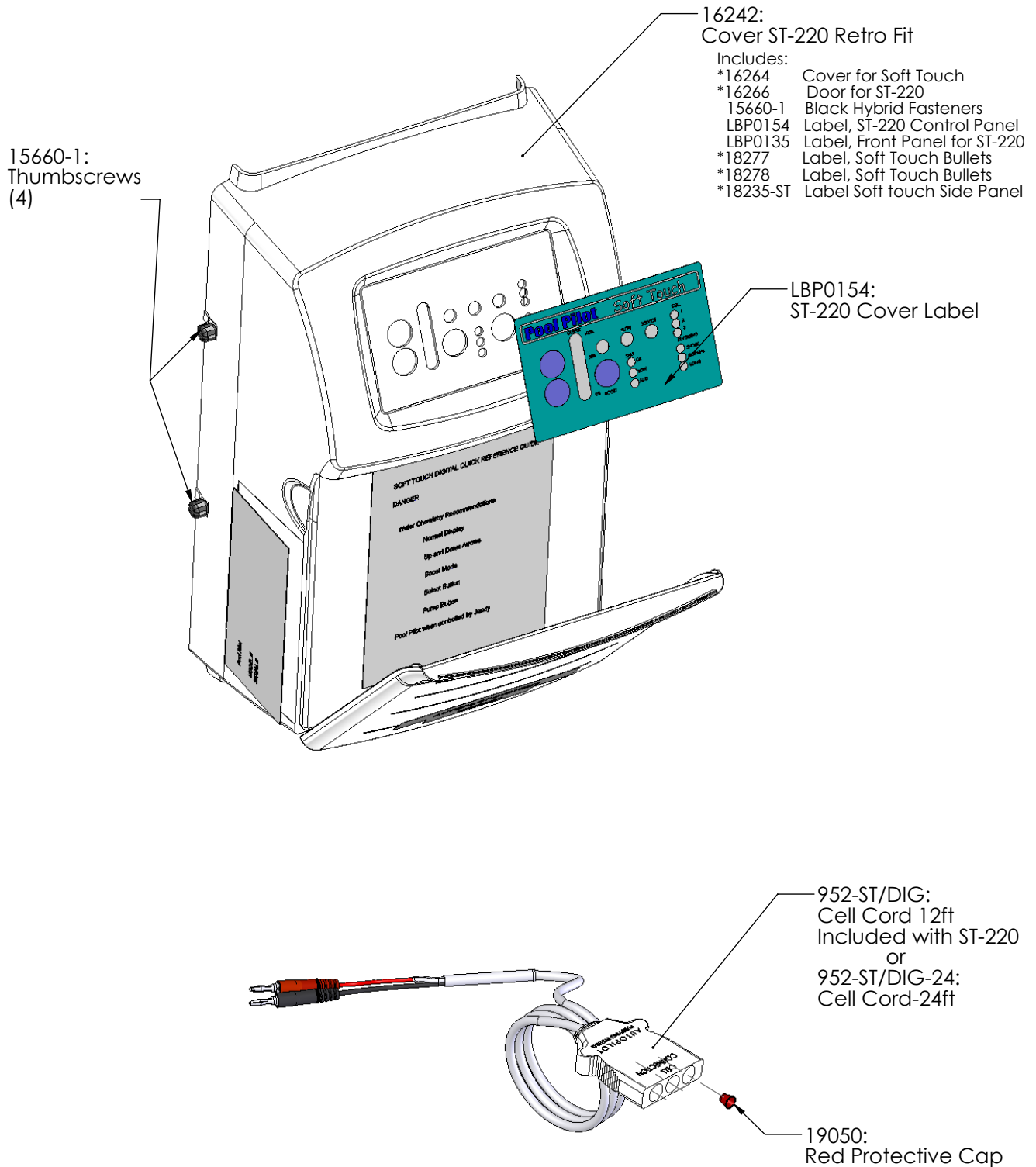
PART NUMBER	DESCRIPTION	PAGE
94105	Manifold Assy with 5 Blade Cell	12
94107	Manifold Assy with 7 Blade Cell	12
94113	Manifold Assy with 13 Blade Cell	12
94115C	Manifold Assy with 15 Blade Cell	12
94105M	Manifold Assy with 5 Blade Cell with Metric Adapters	12
94107M	Manifold Assy with 7 Blade Cell with Metric Adapters	12
94113M	Manifold Assy with 13 Blade Cell with Metric Adapters	12
94115CM	Manifold Assy with 15 Blade Cell with Metric Adapters	12
APK0006	Spacer Cell for Maintenance	15

Dual System Manifold Types

PART NUMBER	DESCRIPTION	PAGE #
941-215C-A	Manifold Commercial	13
938-SC	Spacer Cell	15

ST-220 Power Supply Parts

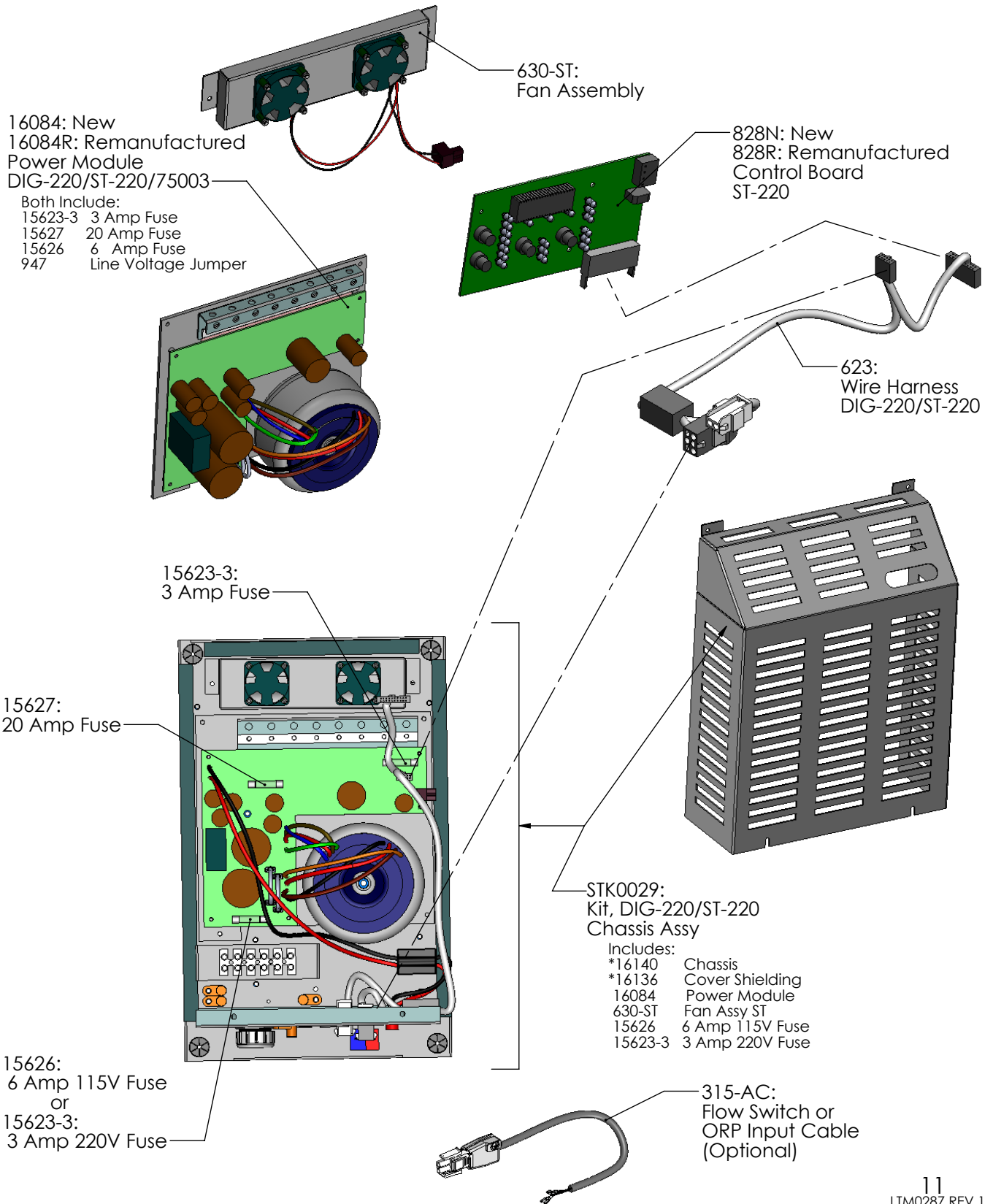
Soft Touch



*Cannot be ordered separately

ST-220 Power Supply Parts

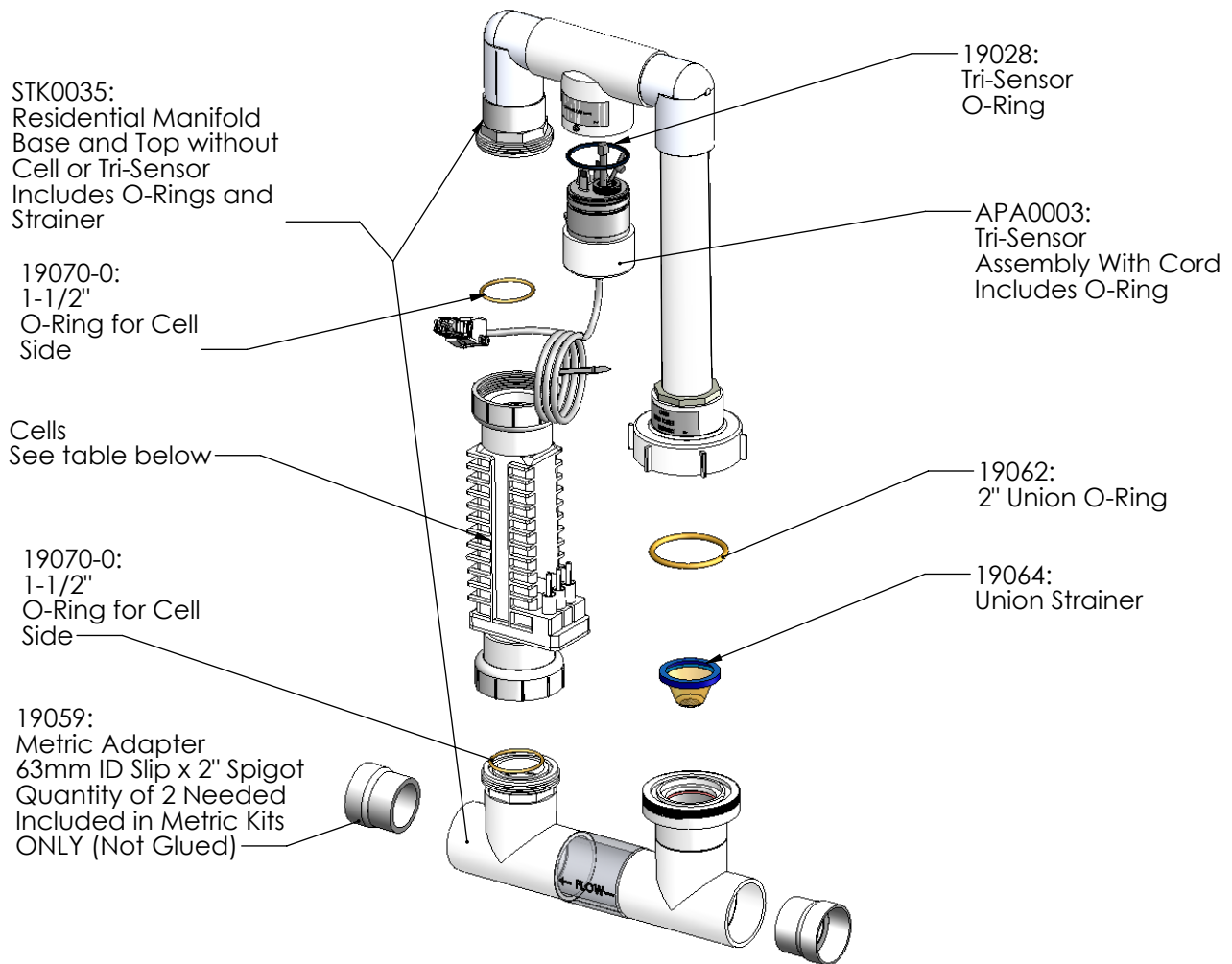
Soft Touch



*Cannot be ordered separately

SINGLE SYSTEM MANIFOLDS

Soft Touch



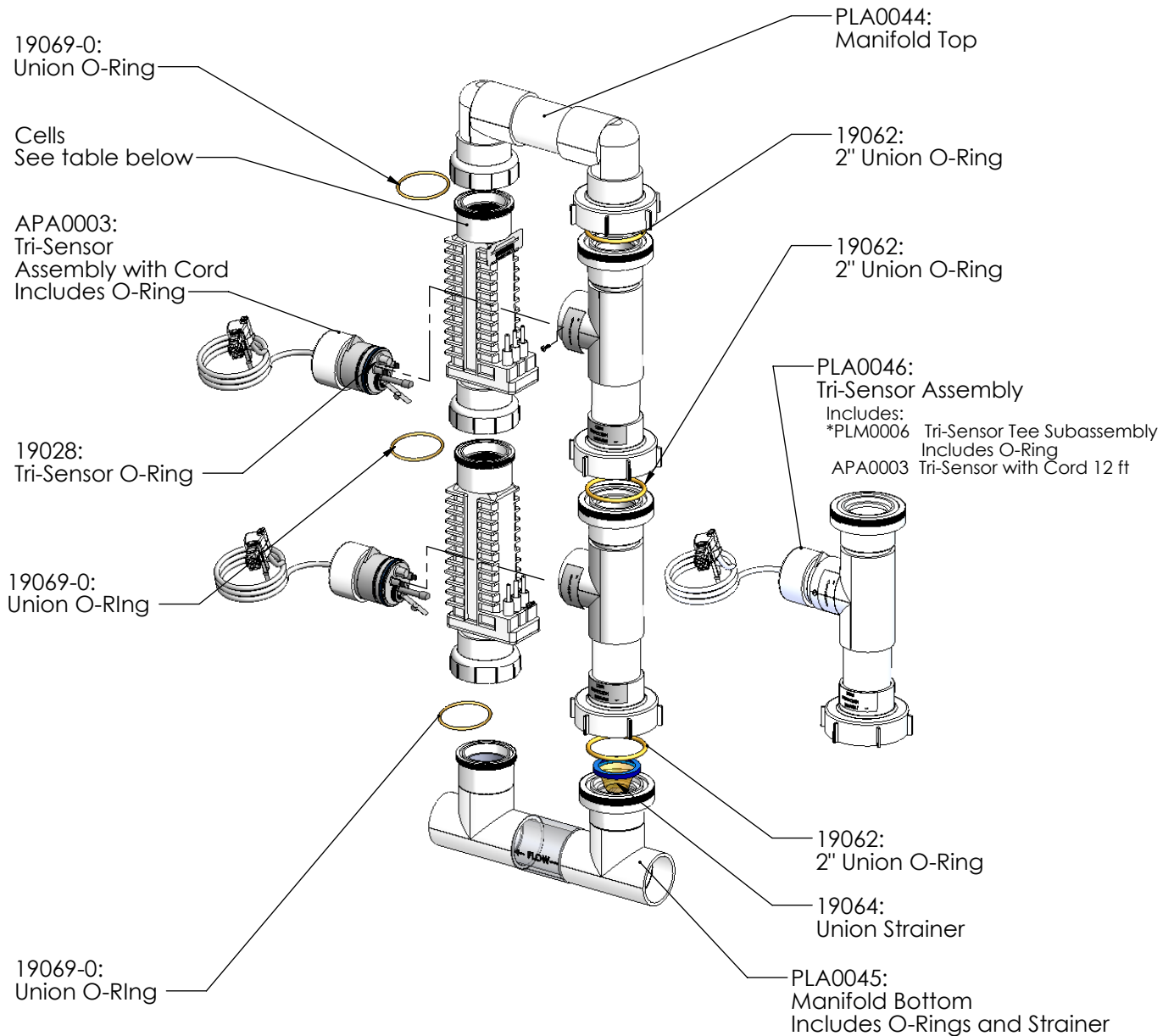
Single System Manifolds/Cells

MANIFOLD TYPE	DESCRIPTION	CELL TYPE	DESCRIPTION	PAGE
94105	Manifold Assy with 5 Blade Cell	RC35/22	5 Blades	14
94107	Manifold Assy with 7 Blade Cell	RC42	7 Blades	14
94113	Manifold Assy with 13 Blade Cell	RC52	13 Blades	14
94115C	Manifold Assy with 15 Blade Cell	CC15-FF	15 Blades	14
94105M	Manifold Assy with 5 Blade Cell with Metric Adapters	RC35/22	5 Blades	14
94107M	Manifold Assy with 7 Blade Cell with Metric Adapters	RC42	7 Blades	14
94113M	Manifold Assy with 13 Blade Cell with Metric Adapters	RC52	13 Blades	14
94115CM	Manifold Assy with 15 Blade Cell with Metric Adapters	CC15-FF	15 Blades	14
ALL	-	APK0006	Spacer Cell for Maintenance	15

MULTIPLE SYSTEM MANIFOLD

For Use with Dual Power Supply Systems

Soft Touch



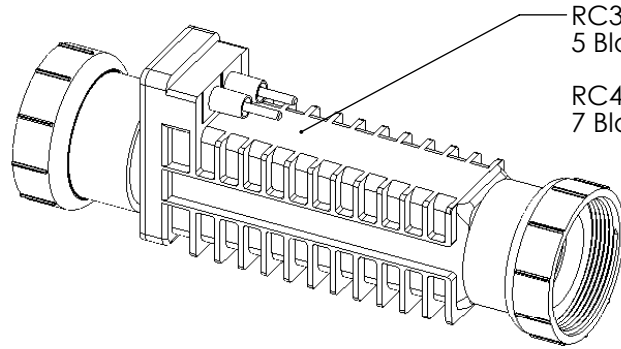
Manifolds/Cells

MANIFOLD TYPE	DESCRIPTION	CELL TYPE	DESCRIPTION	PAGE
941-215C-A	Manifold Commercial	CC15-MF	Two-15 Blade Cells	14
ALL	Spacer Cell	938-SC	Spacer Cell for Maintenance	15
To convert from dual to triple system, add PLA0046 & CC15-MF				

*Cannot be ordered separately

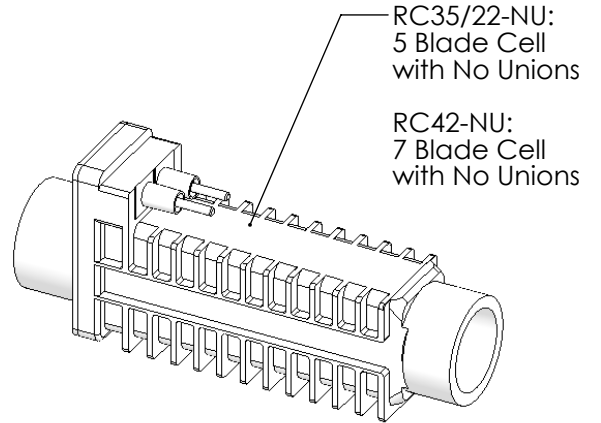
CELL OPTIONS

Soft Touch



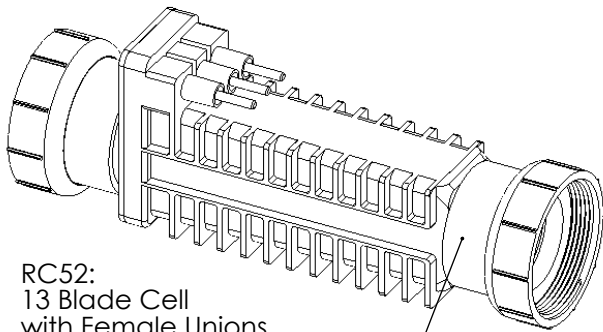
RC35/22:
5 Blade Cell with Female Unions

RC42:
7 Blade Cell with Female Unions



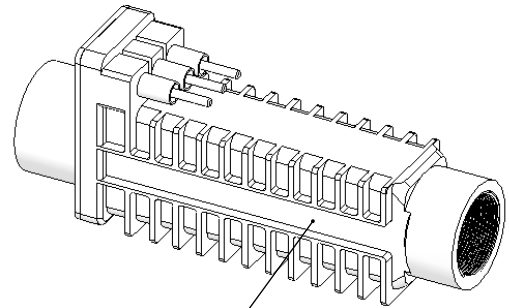
RC35/22-NU:
5 Blade Cell
with No Unions

RC42-NU:
7 Blade Cell
with No Unions



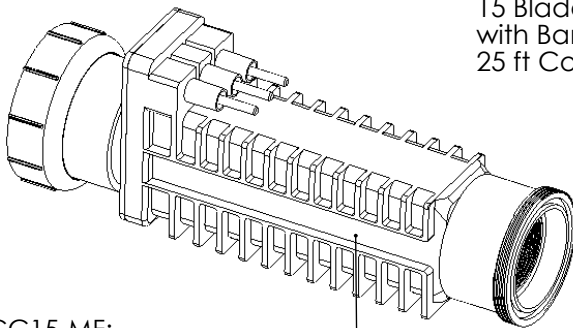
RC52:
13 Blade Cell
with Female Unions

CC15-FF:
15 Blade Cell
with Female Unions
(Commercial)
for Single Cell Manifold



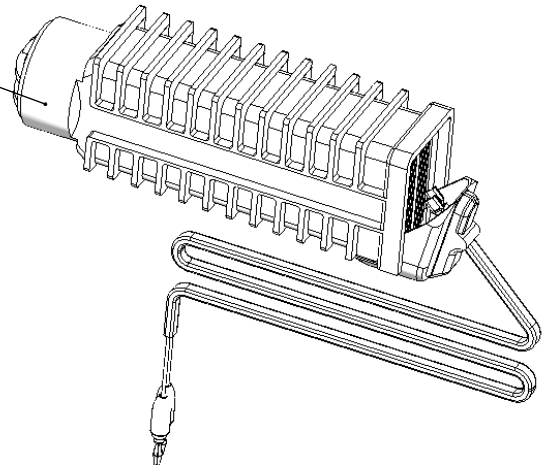
RC52-NU:
13 Blade Cell
with No Unions

CC15-NU:
15 Blade Cell
with No Unions (Commercial)



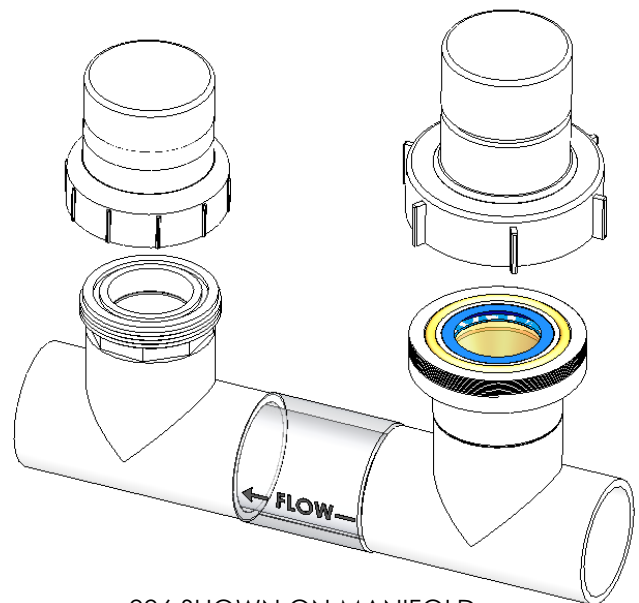
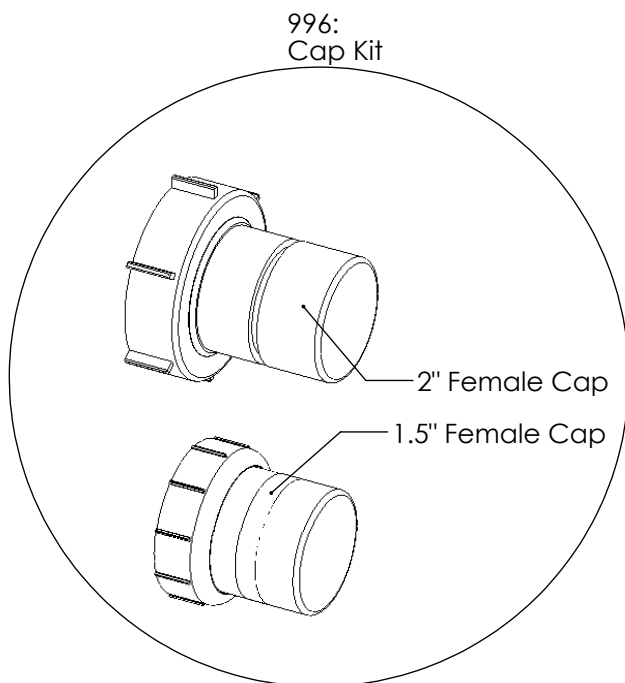
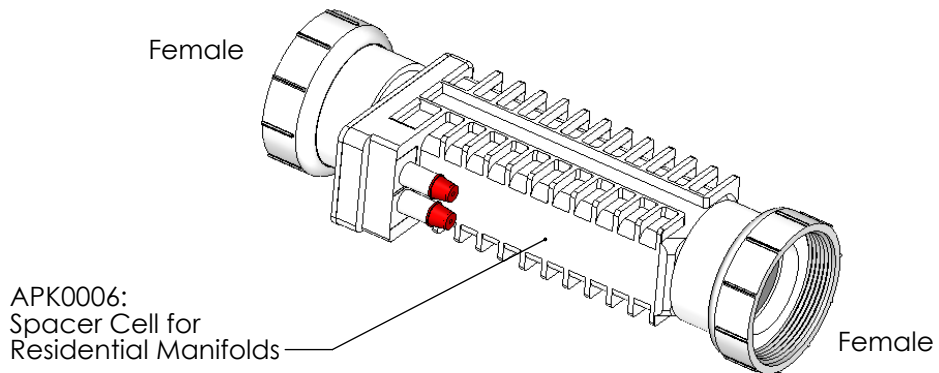
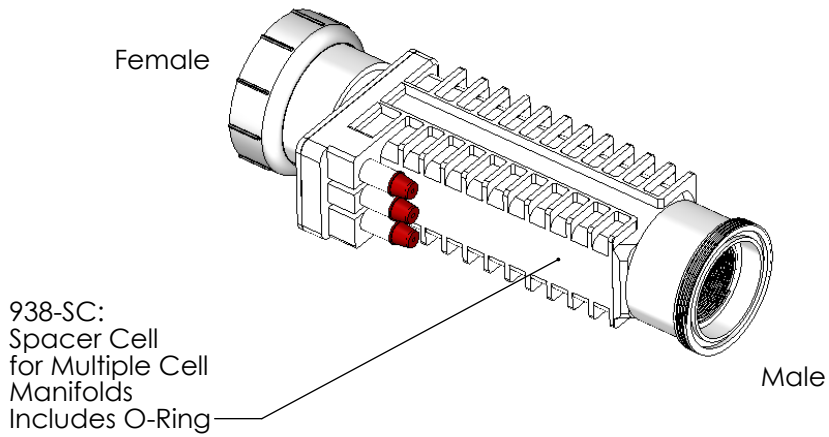
CC15-MF:
15 Blade Cell
Male/Female Unions
(Commercial)
for Multiple Cell Manifold
Includes O-Ring

CC15-BP-CC25:
15 Blade Cell Convection
with Banana Plugs
25 ft Cord



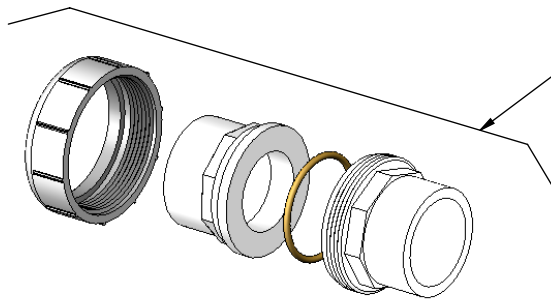
MANIFOLD ACCESSORIES/TOOLS

Soft Touch



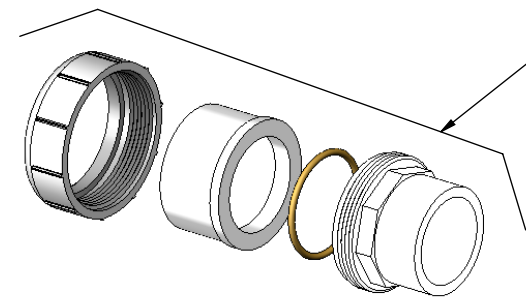
MANIFOLD ACCESSORIES/TOOLS

Soft Touch



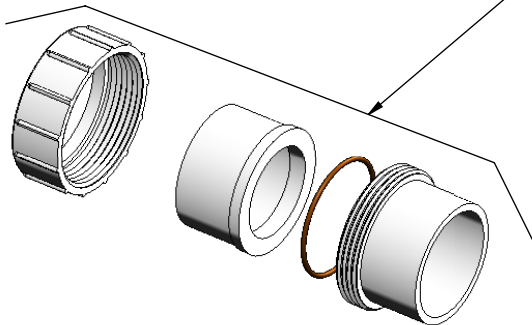
19073:
Union Kit

- Includes:
- 312-A Union Nut
 - 312-F Union Half, 2" Spigot/1.5" Slip X Female Union
 - 19070-0 1-1/2" O-Ring
 - 312-C Union Half, 1.5" Slip/2" Spigot x Male Thread Union



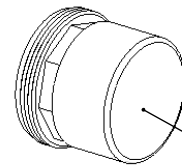
19070:
Union Kit

- Includes:
- 312-A Union Nut
 - 312-B Union Half, 2" Slip x Female Union
 - 19070-0 1-1/2" O-Ring
 - 312-C Union Half, 1.5" Slip/2" Spigot x Male Thread Union

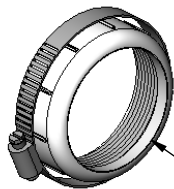


2627:
Union Kit

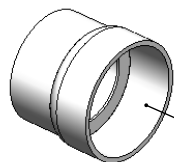
- Includes:
- 312-A Union Nut
 - 312-B Union Half, 2" Slip x Female Union
 - 312-D Union Half, 2" Slip x Male Thread Union (with O-Ring 19069-0)



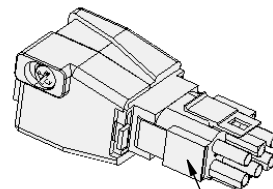
PLA0113:
Cell Cleaning
Kit (Male)



STK0048:
Cracked Union Nut
Service Kit



19059:
Metric Adapter
63mm ID Slip x 2" Spigot
Quantity of 2 Needed
Included in Metric Kits
ONLY (Not Glued)



986-ST:
Tri-Sensor Simulator
(Simulates APA0003)