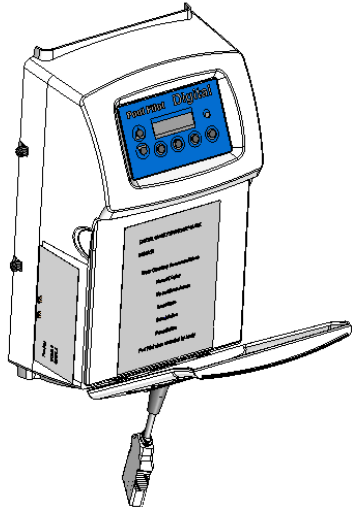
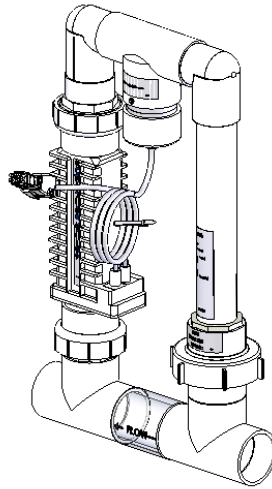


# DIG-220

Digital



DIG-220



Single System Manifold

## Power Supply

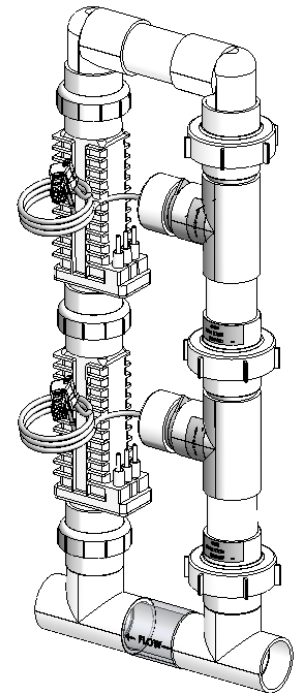
PART NUMBER	DESCRIPTION
DIG-220	Digital Power Supply

## Single System Manifold Types

PART NUMBER	DESCRIPTION	PAGE #
94105	Manifold Assy with 5 Blade Cell	4
94107	Manifold Assy with 7 Blade Cell	4
94113	Manifold Assy with 13 Blade Cell	4
94115C	Manifold Assy with 15 Blade Cell	4
94105M	Manifold Assy with 5 Blade Cell with Metric Adapters	4
94107M	Manifold Assy with 7 Blade Cell with Metric Adapters	4
94113M	Manifold Assy with 13 Blade Cell with Metric Adapters	4
94115CM	Manifold Assy with 15 Blade Cell with Metric Adapters	4
APK0006	Spacer Cell for Maintenance	7

## Dual System Manifold Types

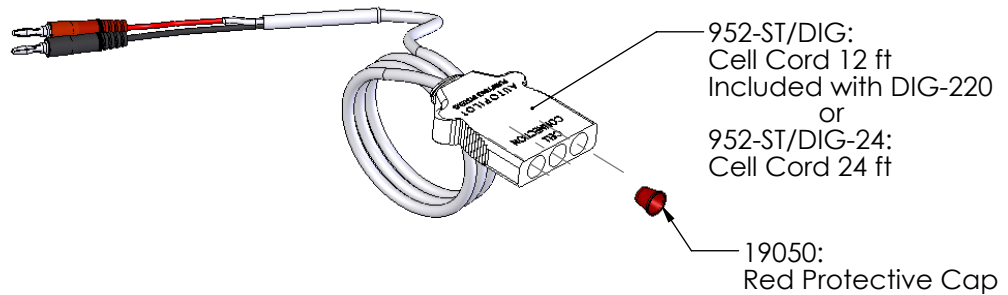
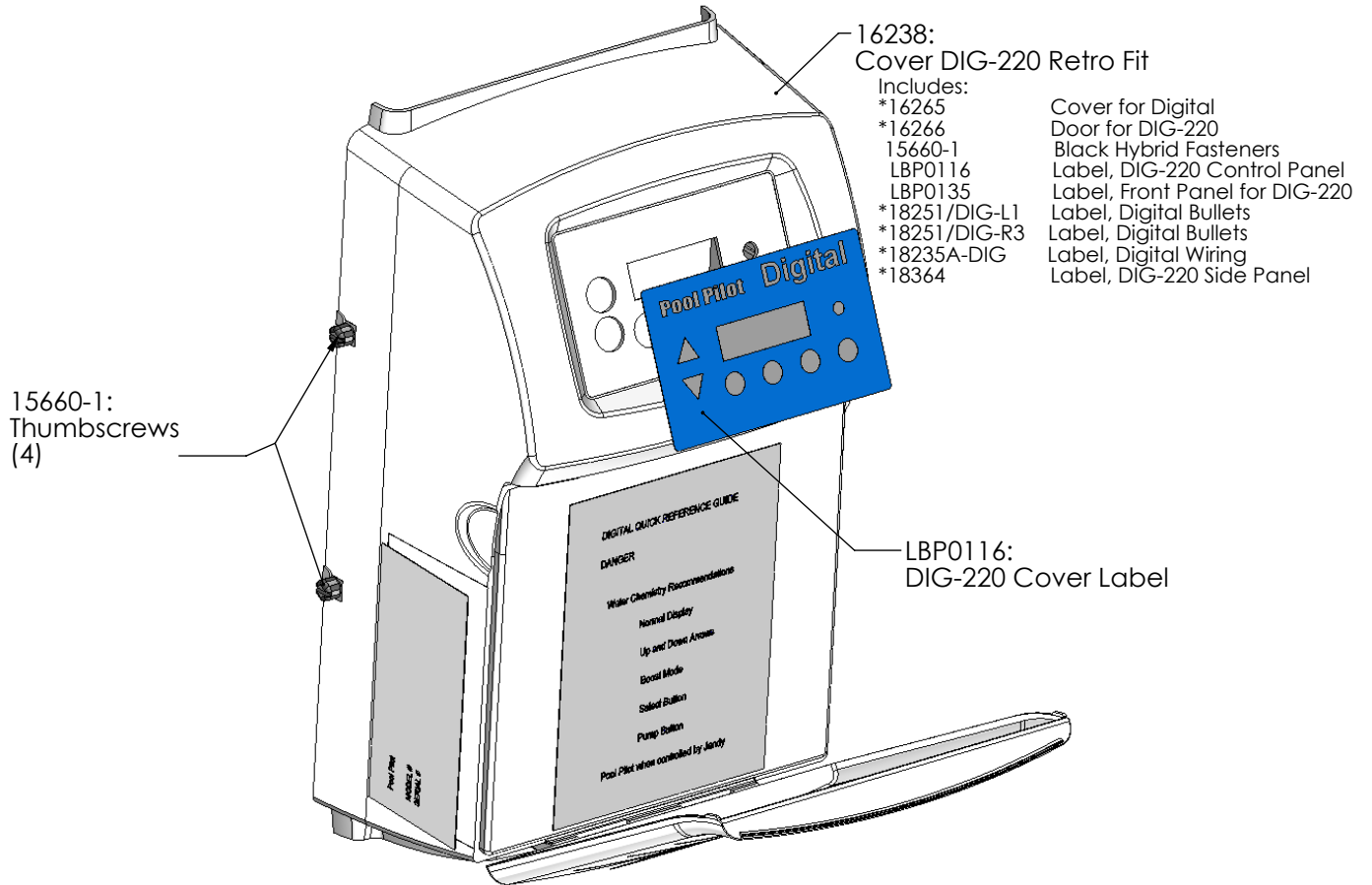
PART NUMBER	DESCRIPTION	PAGE #
941-215C-A	Manifold Commercial	5
938-SC	Spacer Cell	7



Dual System Manifold

# DIG-220 Power Supply Parts

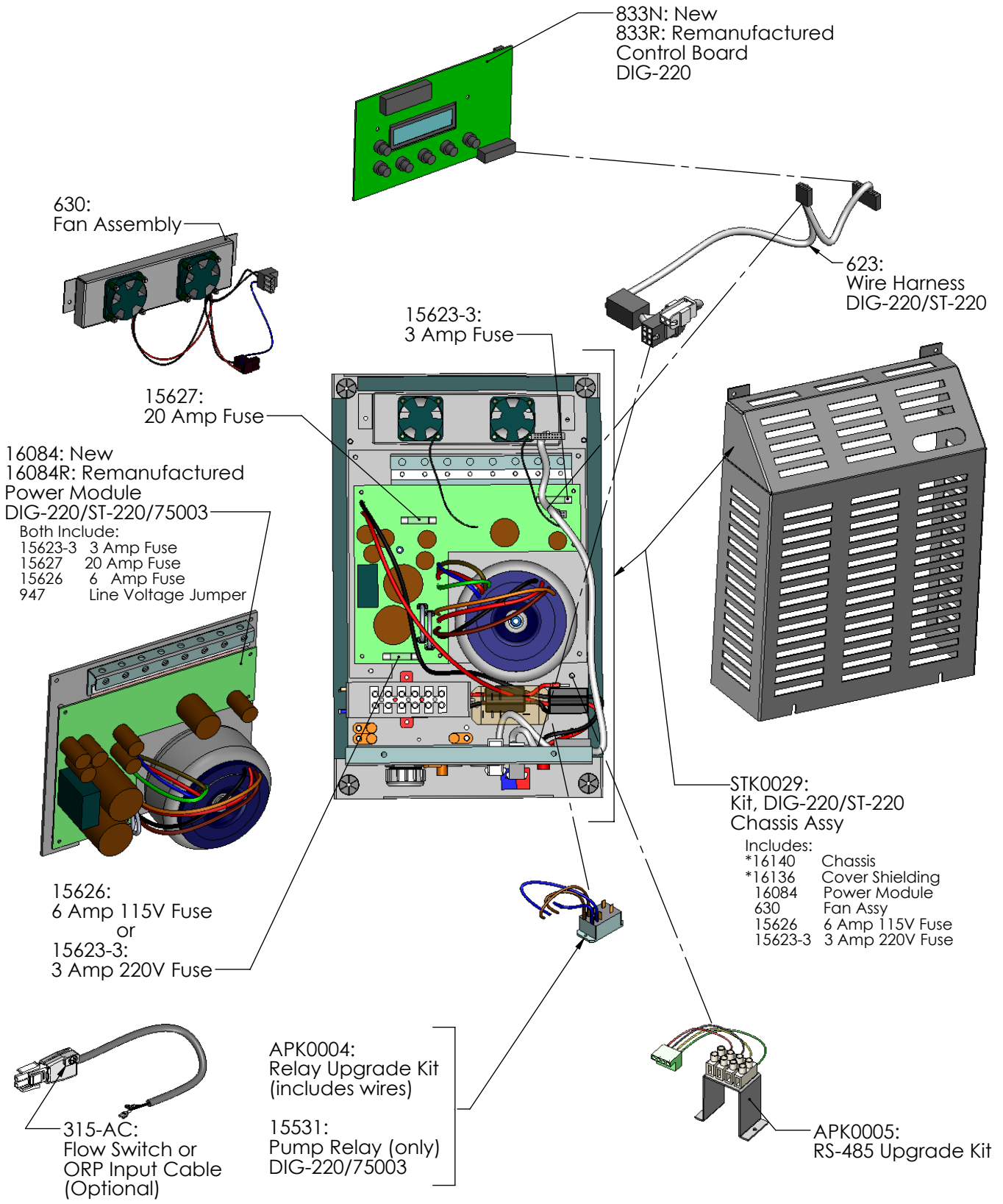
**Digital**



\*Cannot be ordered separately

# DIG-220 Power Supply Parts

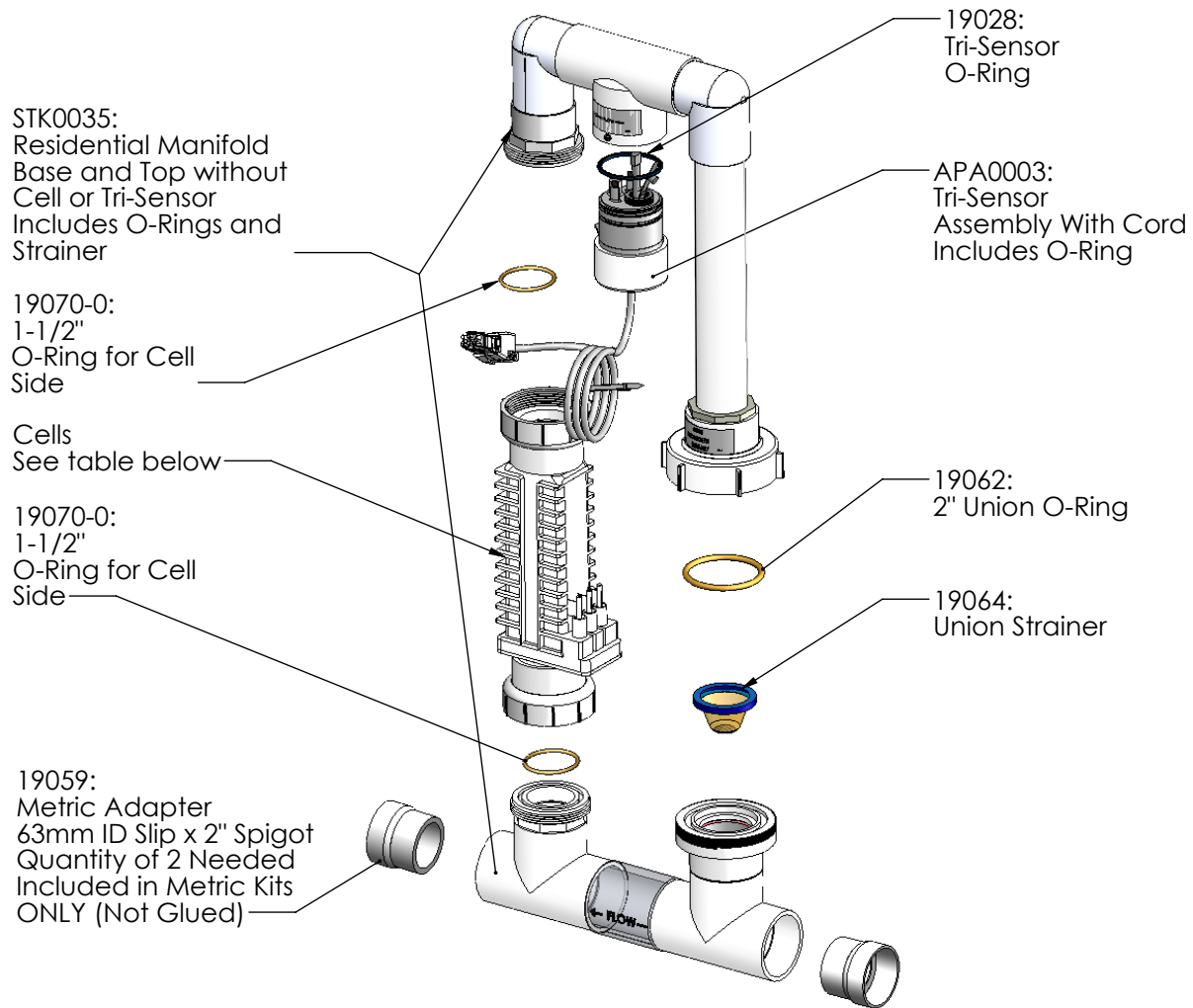
Digital



\*Cannot be ordered separately

# SINGLE SYSTEM MANIFOLDS

Digital



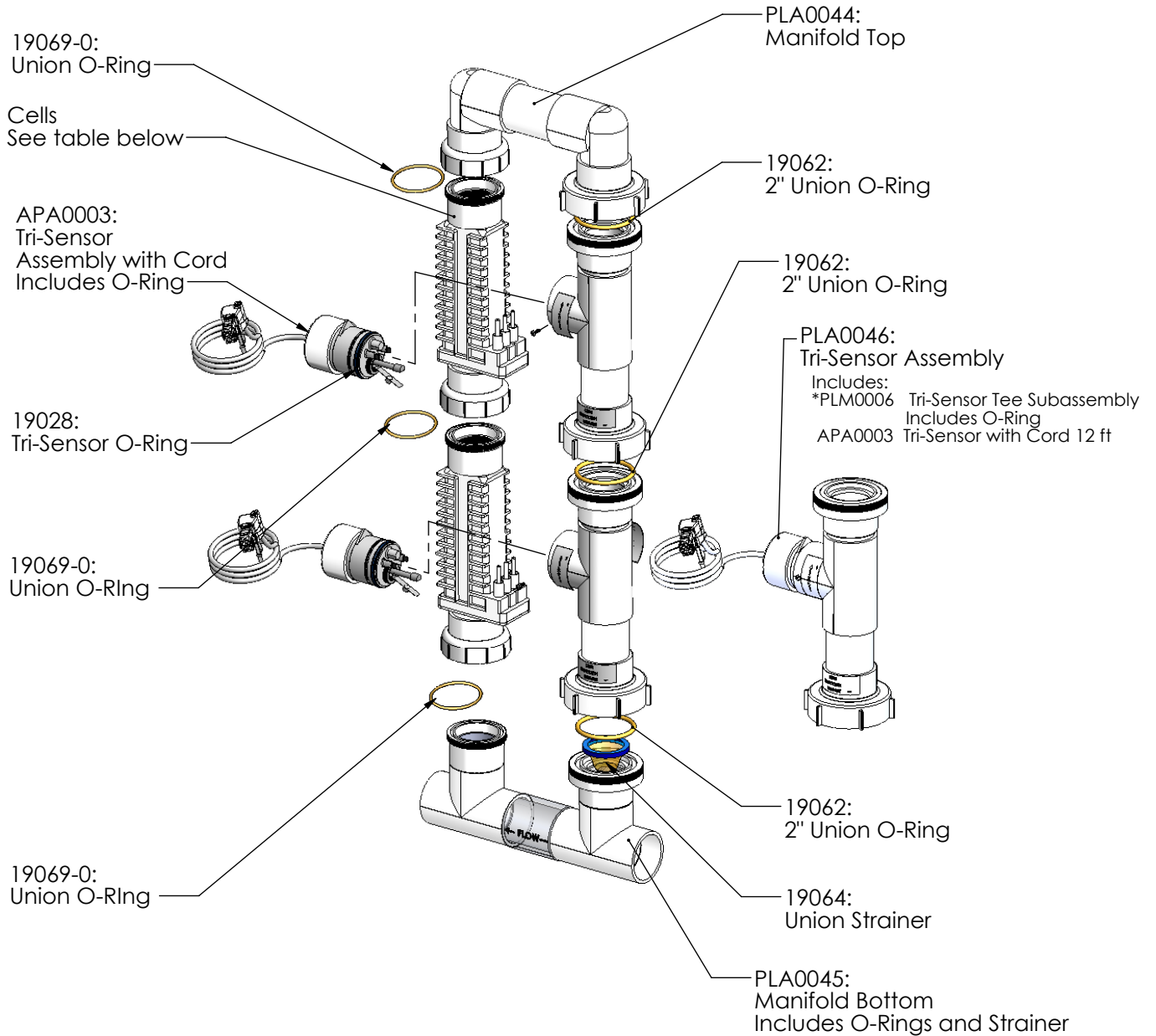
Single System Manifolds/Cells

MANIFOLD TYPE	DESCRIPTION	CELL TYPE	DESCRIPTION	PAGE
94105	Manifold Assy with 5 Blade Cell	RC35/22	5 Blades	6
94107	Manifold Assy with 7 Blade Cell	RC42	7 Blades	6
94113	Manifold Assy with 13 Blade Cell	RC52	13 Blades	6
94115C	Manifold Assy with 15 Blade Cell	CC15-FF	15 Blades	6
94105M	Manifold Assy with 5 Blade Cell with Metric Adapters	RC35/22	5 Blades	6
94107M	Manifold Assy with 7 Blade Cell with Metric Adapters	RC42	7 Blades	6
94113M	Manifold Assy with 13 Blade Cell with Metric Adapters	RC52	13 Blades	6
94115CM	Manifold Assy with 15 Blade Cell with Metric Adapters	CC15-FF	15 Blades	6
ALL	-	APK0006	Spacer Cell for Maintenance	7

# MULTIPLE SYSTEM MANIFOLD

## For Use with Dual Power Supply Systems

Digital



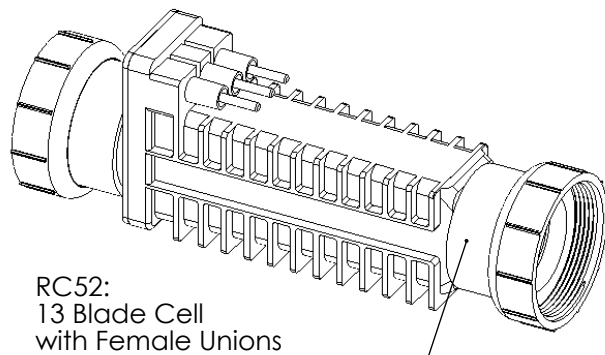
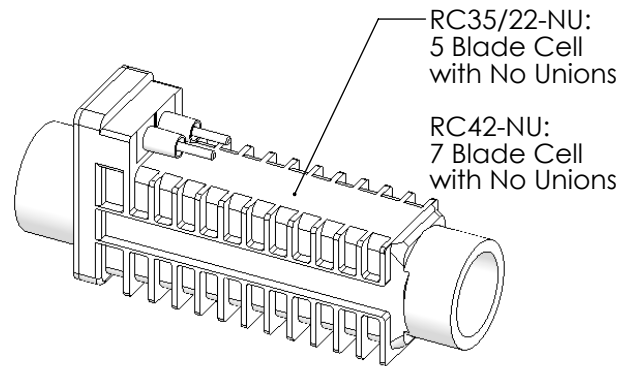
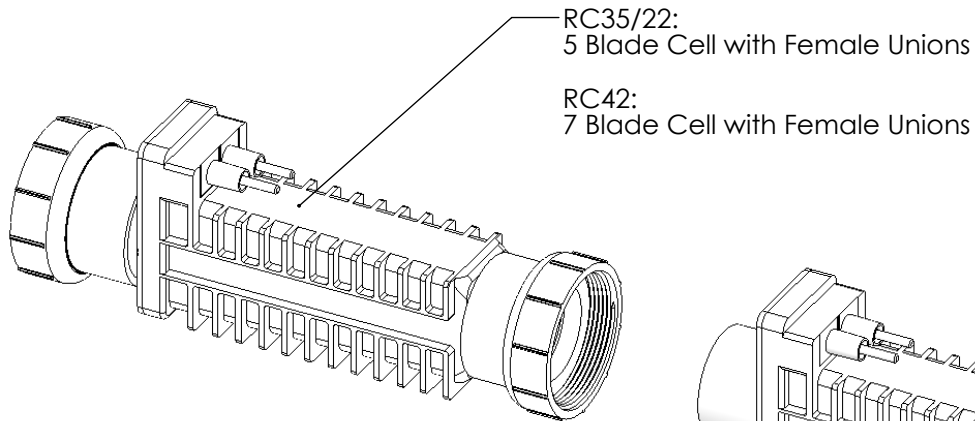
### Manifolds/Cells

MANIFOLD TYPE	DESCRIPTION	CELL TYPE	DESCRIPTION	PAGE
941-215C-A	Manifold Commercial	CC15-MF	Two-15 Blade Cells	6
ALL	Spacer Cell	938-SC	Spacer Cell for Maintenance	7
To convert from dual to triple system, add PLA0046 & CC15-MF				

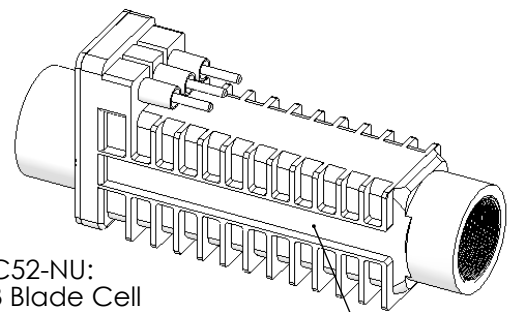
\*Cannot be ordered separately

# CELL OPTIONS

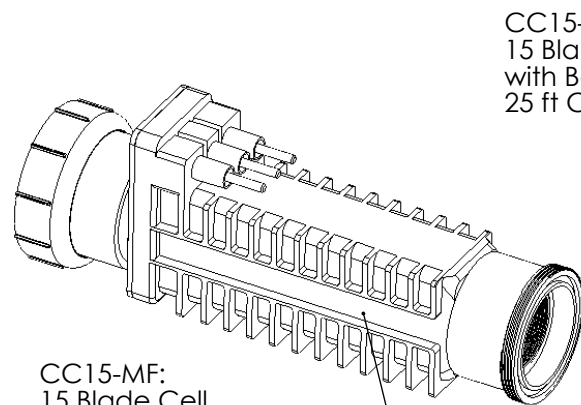
Digital



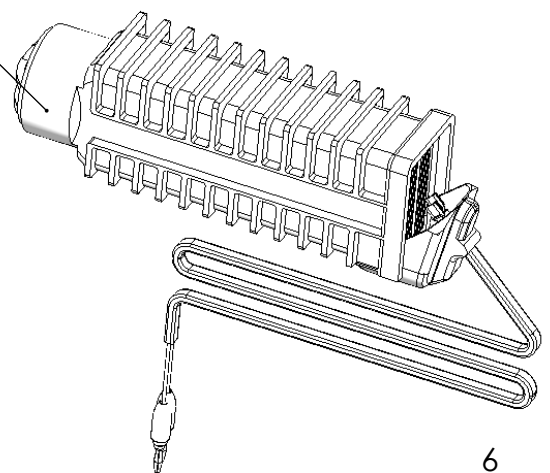
CC15-FF:  
15 Blade Cell with Female Unions (Commercial) for Single Cell Manifold



CC15-NU:  
15 Blade Cell with No Unions (Commercial)

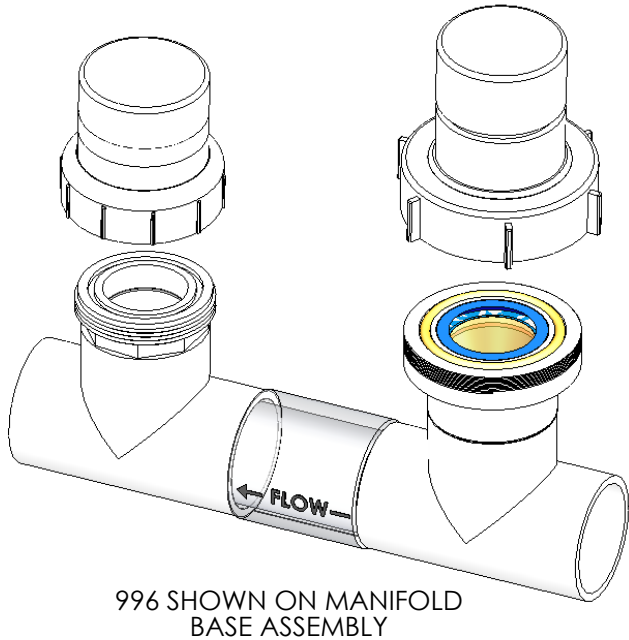
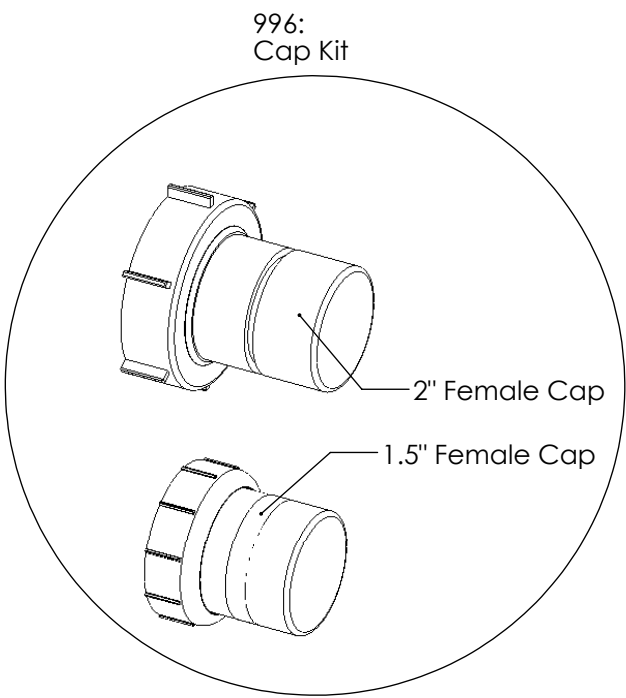
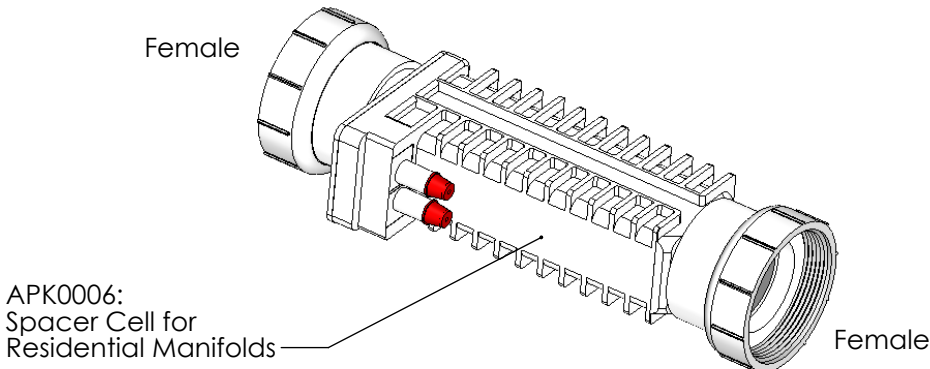
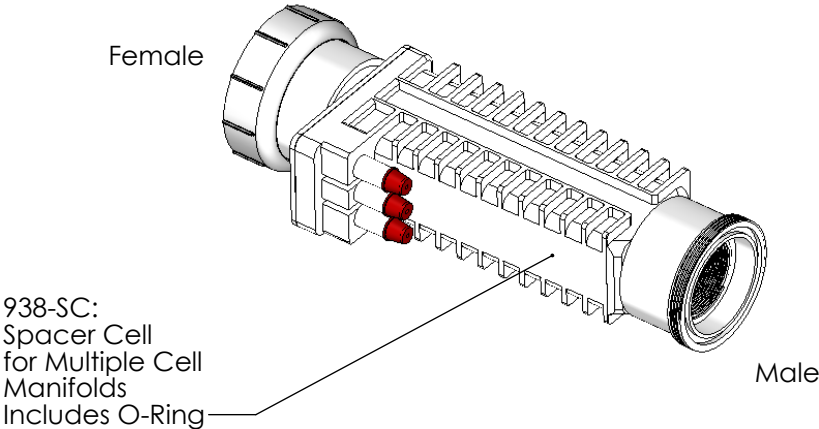


CC15-BP-CC25:  
15 Blade Cell Convection with Banana Plugs 25 ft Cord



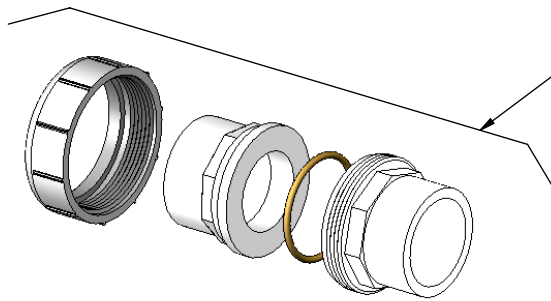
# MANIFOLD ACCESSORIES/TOOLS

Digital



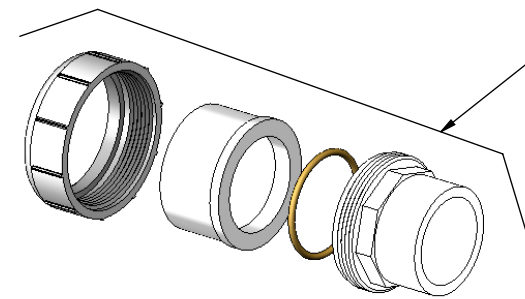
# MANIFOLD ACCESSORIES/TOOLS

Digital



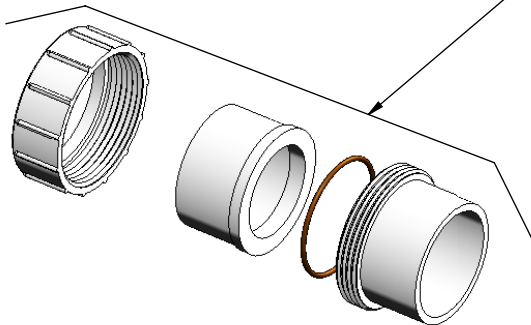
## 19073: Union Kit

- Includes:
- 312-A Union Nut
  - 312-F Union Half, 2" Spigot/1.5" Slip X Female Union
  - 19070-0 1-1/2" O-Ring
  - 312-C Union Half, 1.5" Slip/2" Spigot x Male Thread Union



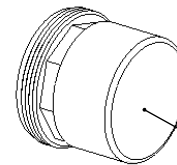
## 19070: Union Kit

- Includes:
- 312-A Union Nut
  - 312-B Union Half, 2" Slip x Female Union
  - 19070-0 1-1/2" O-Ring
  - 312-C Union Half, 1.5" Slip/2" Spigot x Male Thread Union



## 2627: Union Kit

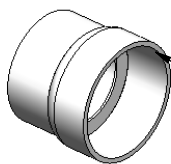
- Includes:
- 312-A Union Nut
  - 312-B Union Half, 2" Slip x Female Union
  - 312-D Union Half, 2" Slip x Male Thread Union (with O-Ring 19069-0)



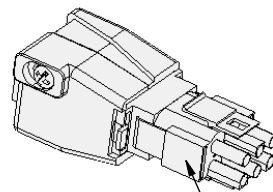
PLA0113:  
Cell Cleaning  
Kit (Male)



STK0048:  
Cracked Union Nut  
Service Kit



19059:  
Metric Adapter  
63mm ID Slip x 2" Spigot  
Quantity of 2 Needed  
Included in Metric Kits  
ONLY (Not Glued)



986-ST:  
Tri-Sensor Simulator  
(Simulates APA0003)