

DIRECT REPLACEMENT 5-WIRE DIFFERENTIAL pH AND ORP SENSORS



Employs differential measurement technique

Superior accuracy through elimination of ground loops

Buffered reference cell solution resists contamination

Direct fit replacements for Hach®/GLI differential sensors

Direct fit replacements for Water Analytics® models

Two year limited warranty

Differential sensors have longer working lifetimes

The differential design employs two glass electrodes, which record pH or ORP measurements differentially with respect to a third metal electrode. The reference cell of a differential sensor is actually a measuring electrode in a concentrated pH 7.0 buffer solution rather than a traditional silver/silver chloride reference. This type of reference cell resists contamination by the sample, improving measurement accuracy and extending sensor lifetime.

Save time and money with quick and easy maintenance

With differential technology, you won't have to replace the entire sensor after just a few months. Simply replace the salt bridge and refill the reference solution to keep your electrode working longer.

An accurate and reliable sensor that works with your system

The differential design provides unsurpassed accuracy by virtually eliminating ground loops. Automatic temperature compensation ensures measurement accuracy in environments with rapid temperature changes. Durable Ryton® PPS body construction for extensive chemical compatibility.

RECOMMENDED APPLICATIONS:

- **Wastewater Treatment**
- **Drinking Water Treatment**
 - **Odor Scrubbers**
 - **Food Processing**
 - **Metal Finishing**
 - **Pulp and Paper**
- **Chemical Processing**

DIRECT FIT COMPATIBILITY:

- **Hach® 6022P0 and 2022R0 (Ryton® PPS)**
- **Hach® 6028P0 and 2028R0 (LCP)**
 - **Water Analytics® P60C-8**

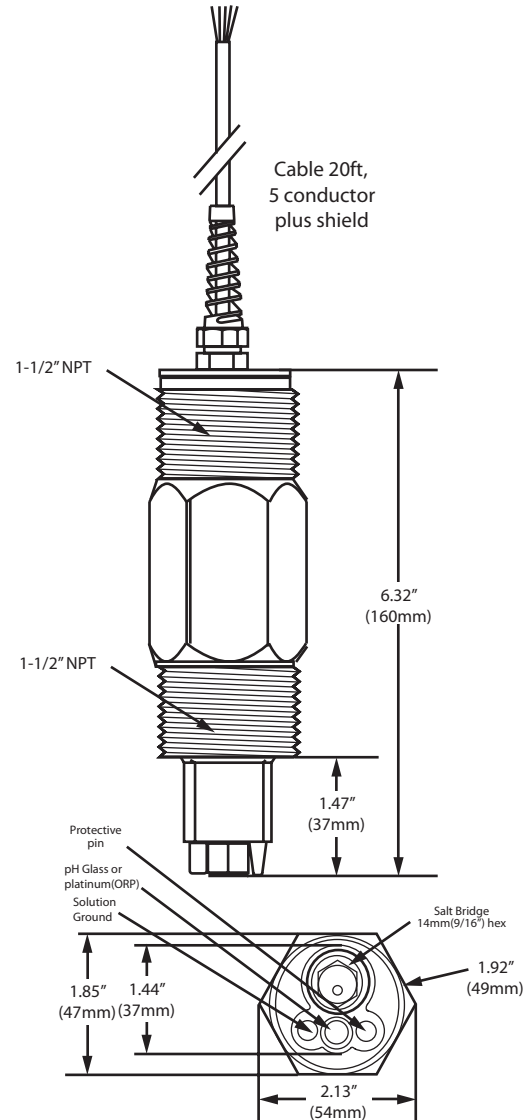
Hach is a registered trademark of Danaher. No affiliation, endorsement or sponsorship is stated or implied.

DESIGNED AND ASSEMBLED IN CALIFORNIA, USA

11751 MARKON DRIVE • GARDEN GROVE, CA 92841 • 714.895.4344 • WWW.SENSOREX.COM

© Sensorex Corporation. All rights reserved. In the interest of improving and updating its equipment, Sensorex reserves the right to alter specifications to equipment at any time.

OUTLINE AND DIMENSIONS



SPECIFICATIONS

pH Measurement Range:	0 to 14
ORP Measurement Range	-2000mV to 2000mV
pH Stability	0.03pH per 24 hours, non-cumulative
Wetted Materials	PPS body and salt bridge, PVDF & ceramic junction, Viton o-rings, titanium solution ground, pH glass or ORP - platinum band
Transmission Distance:	3000ft (914m)
Temperature Compensation:	300 Ohm NTC
Temperature Range:	0-95°C(32-203°F)
Pressure Maximum:	100psig @ 40°C (104°F)- for PVC tee/ fitting 100psig @ 60°C (140°F)- for CPVC tee/fitting 100psig @ 95°C (203°F)- for stainless steel tee/ fitting
Flow Rate	10ft/sec maximum (3 meters/sec)
Sensor Cable	5 conductor plus shield, 22AWG, 20ft (6.1m)

ORDERING INFORMATION

Part Number	Description
SD7000CD	Differential pH sensor with replaceable salt bridge, 20ft cable, tinned leads, 1.5" NPT mounting
SD7000CD-ORP	Differential ORP sensor with replaceable salt bridge, 20ft cable, tinned leads, 1.5" NPT mounting
SDA-7001	Salt bridge for SD7000CD & SD7000CD-ORP, 1 each
SDA-7003	Salt bridge for SD7000CD & SD7000CD-ORP, 3 each
SDA-7010	Salt bridge for SD7000CD & SD7000CD-ORP, 10 each
SDS-7015	Standard cell refill solution, 125mL

Hach is a registered trademark of Danaher. No affiliation, endorsement or sponsorship is stated or implied.

Document #450002 Revision A: Published 3/29/16

DESIGNED AND ASSEMBLED IN CALIFORNIA, USA

11751 MARKON DRIVE • GARDEN GROVE, CA 92841 • 714.895.4344 • WWW.SENSOREX.COM

© Sensorex Corporation. All rights reserved. In the interest of improving and updating its equipment, Sensorex reserves the right to alter specifications to equipment at any time.