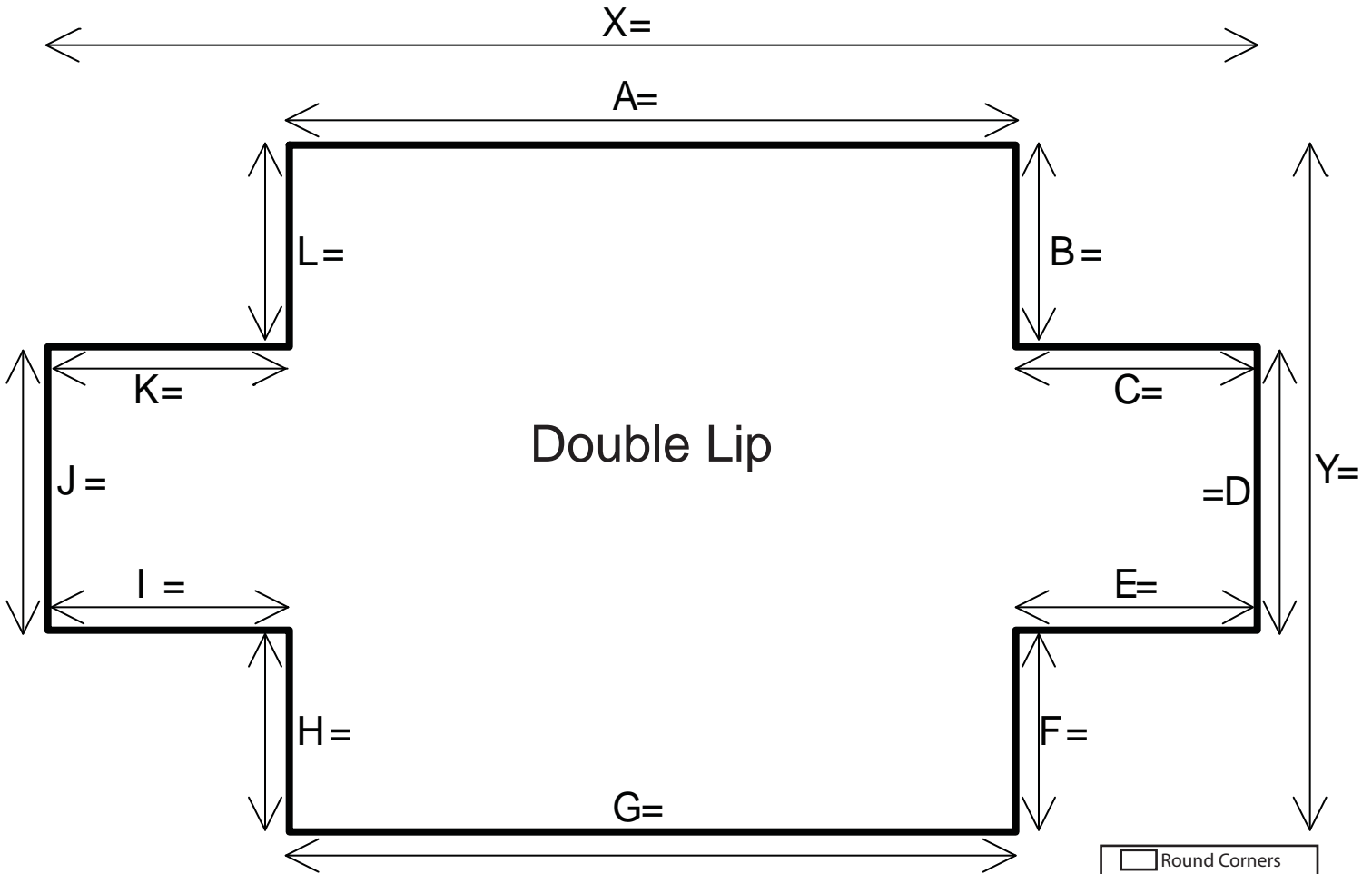




CUSTOM DOUBLE LIP TEMPLATE



- Round Corners
- Straight Corners
- Beveled Edge
- Noted on DWG

STANDARD SIZES TO CUT FROM

- | | | | | | | | |
|--------------------------------|--------------------------------|---------------------------------|-----------------------------------|----------------------------------|----------------------------------|-----------------------------------|--------------------------------|
| 36x48 <input type="checkbox"/> | 45x53 <input type="checkbox"/> | *46x60 <input type="checkbox"/> | ***48x48 <input type="checkbox"/> | 48x60 <input type="checkbox"/> | 48x72 <input type="checkbox"/> | 48x96 <input type="checkbox"/> | 60x60 <input type="checkbox"/> |
| 60x72 <input type="checkbox"/> | 60x84 <input type="checkbox"/> | 60x96 <input type="checkbox"/> | *60x120 <input type="checkbox"/> | **72x72 <input type="checkbox"/> | **72x96 <input type="checkbox"/> | **72x120 <input type="checkbox"/> | <input type="checkbox"/> |

* (ROLLAMAT, SUPERMAT, NON-STUDDED ONLY)
 ** (ULTRAMAT AND ROLLAMAT ONLY)
 *** (EXECUMAT ONLY)

PLEASE CHECK YOUR MAT TYPE BELOW

- | | | | | | | |
|--|--|---|--|--|---|--|
| <input type="checkbox"/> EXECUMAT
300 mil | <input type="checkbox"/> ULTRAMAT
220 mil | <input type="checkbox"/> GLASS CLEAR
220 mil | <input type="checkbox"/> ROLLAMAT
190 mil | <input type="checkbox"/> SUPERMAT
150 mil | <input type="checkbox"/> NON STUDDED
150 mil | <input type="checkbox"/> ANTISTATIC
145 mil |
|--|--|---|--|--|---|--|

SHIP TO _____
 ADDRESS _____

 CITY, STATE, ZIP _____
 PHONE _____
 EMAIL _____

BILL TO _____
 SAME AS SHIP TO

 FAX _____

VISA MC AMEX DISC CARD # _____ EXP (MM/YYYY) _____

