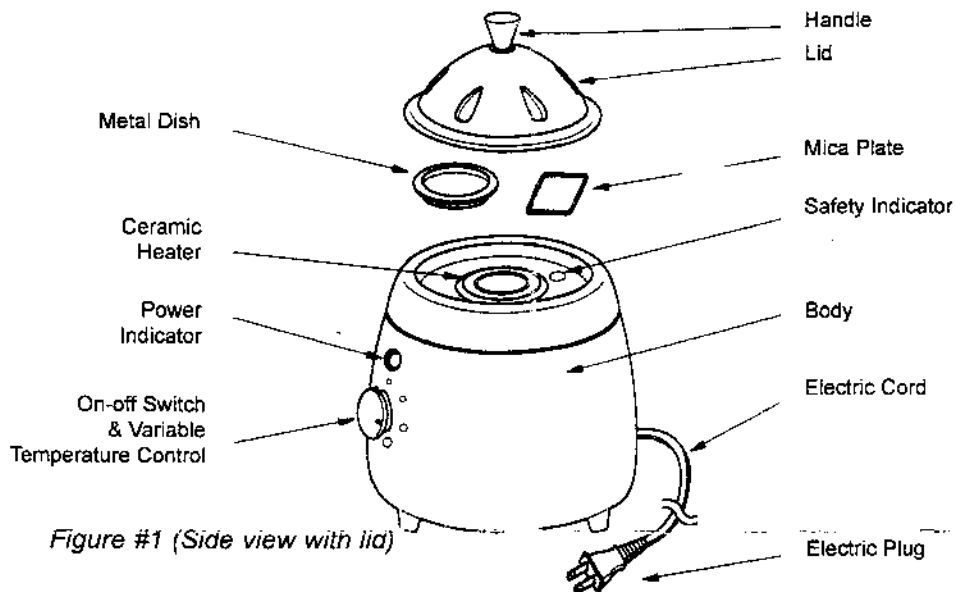


THE ELECTRIC WOOD-CHIP HEATER

Product information sheet

PARTS AND FUNCTIONS



- **Metal Dish:** Use for granulated incense or kneaded incense
Caution: High temperature! To avoid burns, do not touch when in use. It takes at least 20 minutes to cool down after power is turned off.
- **Ceramic Heater** (*Caution: Do not touch when the power is on.*)
- **Power Indicator:** When the power is on, the light glows red.
- **On-off Switch with variable temperature control**
 - To turn on power and increase the temperature: Turn clockwise.
 - To turn off power or decrease the temperature: Turn counter-clockwise.
 - To set a low temperature: Turn the dial clockwise past 3* first, then turn counter-clockwise to set desired temperature. (* see page 3)
- **Lid with handle**
Caution: When the power is on, touch only the handle, because the lid will be hot.
Always use the heater with the lid in place.
- **Mica Plate** — Use with wood-chips
- **Safety Indicator**
 - Bright Red:** Low temperature
 - Black:** High temperature (It may take time to change color)
 - Caution:** Do not touch the safety indicator area when in use. It will be hot.
- **Body**
- **Electric Cord** (2 meters/ 6.5 feet)
- **Electric Plug**

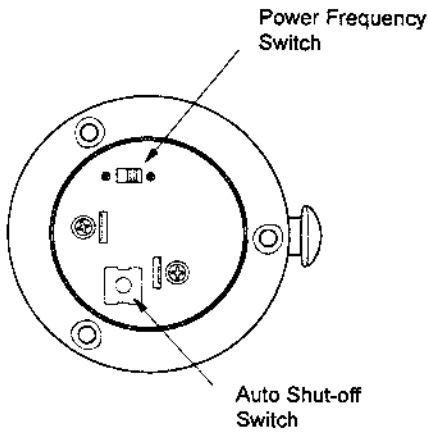


Figure #2 (Bottom view)

- **Power Frequency Switch**
Use 60 Hz in the United States
- **Auto Shut-off Switch**
Automatically shuts off the power when the body is tilted or lifted. After the heater is placed on a flat surface, it will automatically reset in 20 minutes.

- **Incense**
- **Safety Indicator**
- **Heater Body**
- **Mica Plate**
- **Ceramic Heater**

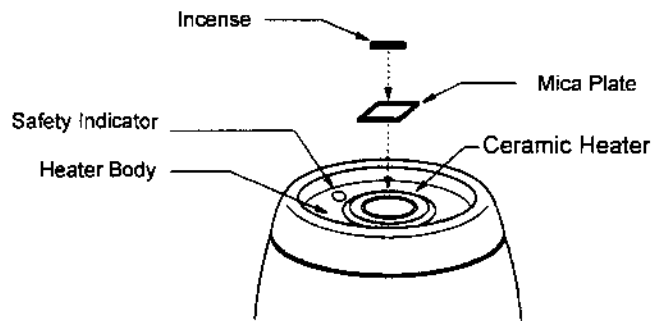


Figure #3 (Top view)

FEATURES AND BENEFITS

1. Convenient to enjoy Koh (incense)
2. Variable Temperature Control
By adjusting the direction of the dial, you can choose the appropriate temperature setting for various types of incense such as granulated and kneaded incense, Kyara, Aloeswood and Sandalwood chips, and small pieces of stick incense.
3. When it is overheated, tipped sideways or lifted, the power will automatically shut off. (It takes approximately 20 minutes to reset)

DIRECTIONS

1. Place the heater on a flat, stable surface.
2. Connect the plug to an electrical outlet.
3. Place the metal dish on the white ceramic heater to use granulated incense or kneaded incense. Or, place a mica plate on the ceramic heater to use wood-chips. Each wood chip can be broken into 1/8 - 1/4 inch wide pieces.
4. Cover the heater with the lid.
5. Turn the Variable Temperature Control Dial clockwise to turn on the heater and to set the desired temperature (to set a lower temperature, first pass 3, then turn counter-clockwise).

Wood chip
Approx. size

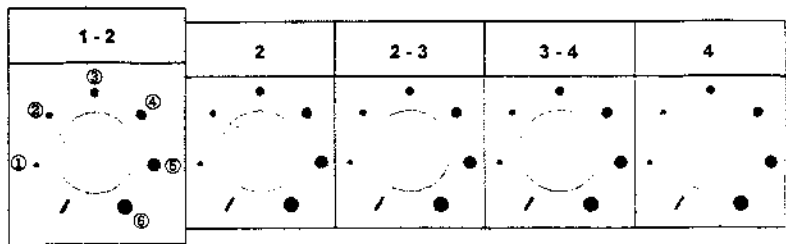


Use tweezers to handle the hot metal dish and mica plate.

TEMPERATURE CONTROL

Temperature setting suggestions:

- 1 - 2 **Kneaded Incense**
- 2 **Granulated Incense**
- 2 - 3 **Sandalwood Chips**
- 3 - 4 **Kyara Chips**
- 4 **Aloeswood Chips**



Try various positions to find the most suitable temperature for your incense.

Tip: If the incense smokes, the temperature may be set too high.

Caution: Do not leave the heater on the high temperature setting for too long. It may cause the heater to automatically shut off, and it may shorten the life of the heater. (When the heater is automatically shut off, it will take approximately 20 minutes to reset)

MAINTENANCE

1. Unplug from the power outlet.
2. Gently wipe the external surface of the body with a damp cloth.
3. The lid and the metal dish may be washed with a mild detergent.

Caution: Dry completely before use.

CONTENTS OF THE PACKAGE

1. Mica Plates — 2 pieces
2. Metal Dish — 1 piece
3. Mica Plate Tweezers — 1 pair
4. Information Sheet

OTHER CAUTIONS

- Never use the heater near flammable items.
- Keep water and oil away from the heater.
- Do not use with charcoal.
- Never modify the parts of the heater.
- Keep metal objects away from the ceramic heater area.
- Handle with care — the ceramic heater is fragile.
- Unplug when not in use.
- Always use in up-right position.
- Recommended for residential use only.
- Frequent use of the high temperature setting may shorten the life of the heater.

*One Year Limited Warranty

Shoyeido Corp. will repair or replace the heater you purchased if it fails to work properly within 1 year from the date of purchase (Invoice date), assuming it has been used in normal conditions as indicated in this information sheet.

If you have any questions, please call our customer service at **1-800-786-5476**
or email us at support@shoyeido.com

Shoyeido Corp.

1700 38th Street, Boulder CO 80301 Tel 303-786-8000 Fax 303-939-8040