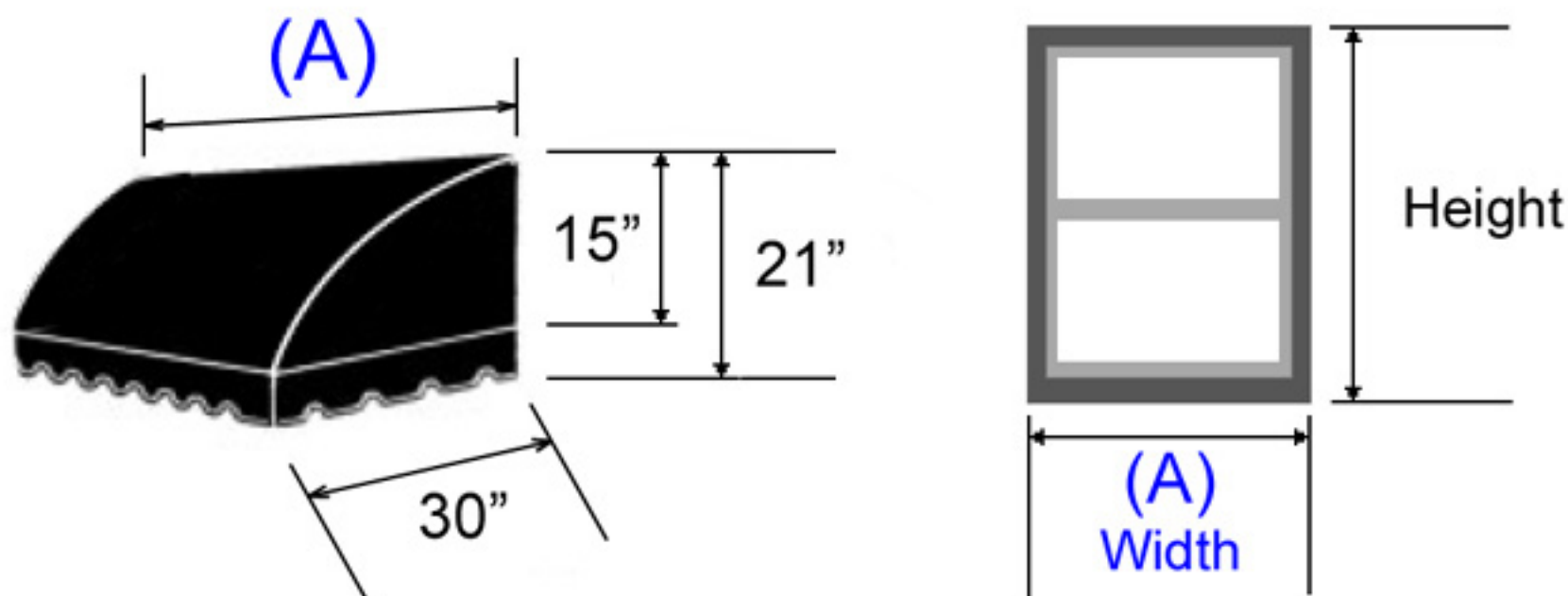


WATERFALL CONVEX AWNING

Measuring and Ordering Instructions



- STEP 1:** Measure the window/door Width (A) from outside-frame to outside-frame.
- STEP 2:** Select the appropriate Width size that best meets your requirements.
- STEP 3:** Select the fabric awning color that best compliments your home or office.