

Standard Awning Installation Instructions

Important Note: Please become familiar with this entire document BEFORE beginning your installation. The time you spend doing this is well spent and will make installing your Dome Awning quite simple. You will also do it correctly the first time and ensure many, many years of enjoyment.

Basic Tools Needed for Installation

- | | | |
|-------------------------|-----------------------------------|---------------|
| - Tape Measure & Pencil | - Drill | - Screwdriver |
| - Level (Recommended) | - Drill Bits (Depends on Surface) | - Ladder |

General Comments

- Wash your hands before installation and when handling the fabric.
- Always be careful of the fabric during installation. Drills, screwdrivers and other items can puncture the fabric. This and other customer installation damages are not covered by the warranty.
- A second person to assist in holding the front bar up and the fabric back when fastening your dome awning to the wall is recommended
- Take your time in planning and installing your new awning. It is very simple to install and the results are excellent, but rushing will make things much harder.



Planning and Layout of the Installation Location

The first step in installing your Dome Awning is to determine where you will mount the head bar. It will need to be installed level and centered over the window or door. **If the door or window opens outward, the awning must be high enough to provide clearance with the door or window in the open position.** In some cities and counties there are building codes that specify how awnings can be mounted. Please check with local authorities for clarification.

Examine where you will be mounting the awning. If you are mounting to any surface that is not concrete, refer to Figure 2 for typical locations of studs and headers. The framing members outlined in Grey will provide an appropriate anchoring point for the fasteners. This is what you would see if you removed the siding from a framed wall.

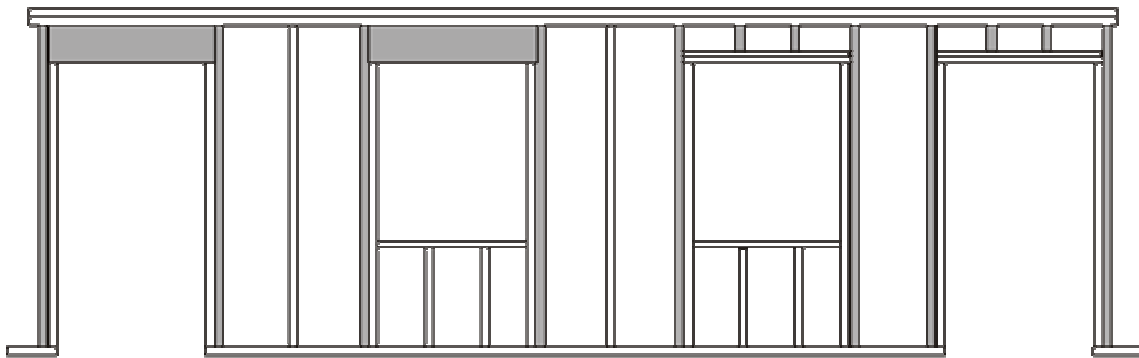
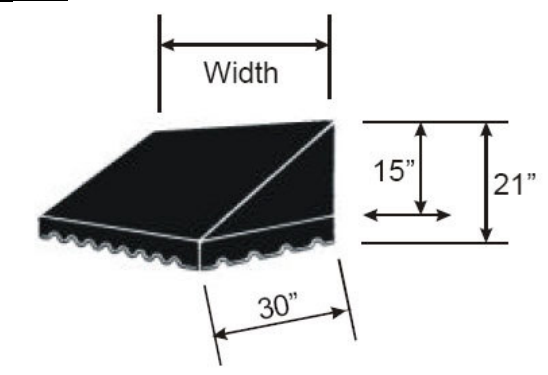


FIGURE 1

On masonry walls drill and insert anchors for the mounting screws. For other surfaces, locate the studs for anchoring the supplied screws.

- If the locations of the predrilled holes do not match your stud locations, drill new 1/4" holes in the back bar of the frame to match your stud locations.
- If you have planking or another thick surface over the framing, you may need to use longer screws than those supplied to ensure a secure fastening.

Dimensions and List of Parts



See Figure 2 - Become familiar with each part before assembly and installation.

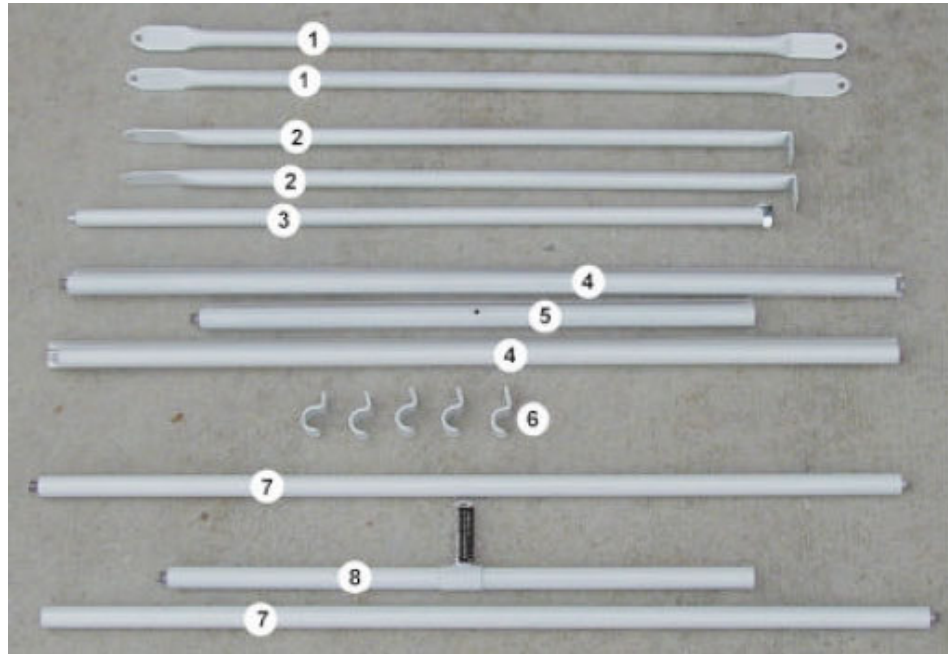
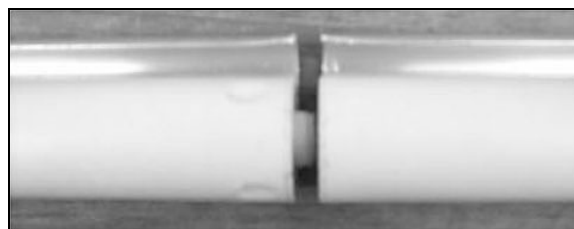


FIGURE 2

ITEM NUMBER	DESCRIPTION
1	Rafter
2	Return Arm
3	Center Brace – for 8' Wide Awnings Only
4	Back Bar
5	Back Bar Center – for 8' Wide Awnings Only
6	Clamps
7	Front Bar
8	Front Bar Center – for 8' Wide Awnings Only

Assembly and Mounting

Assemble the two back bar pipes (three on the 8'). Screw together snugly and align the aluminum channel. The gap shown below will be gone after tightening and mounting the back bar to the wall.

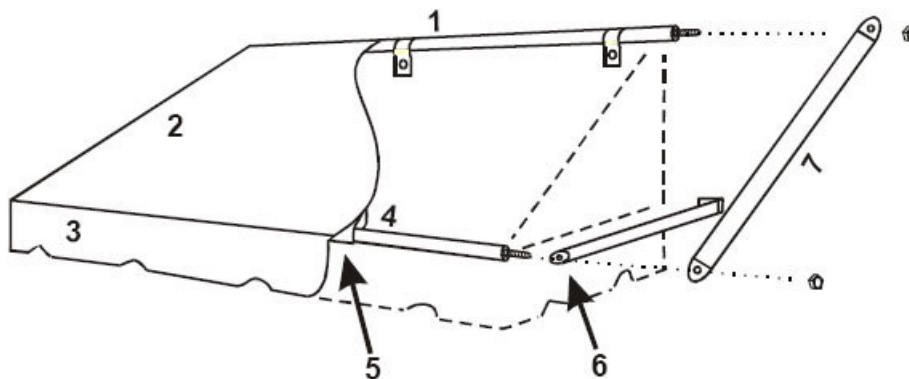


Position the back bar to the correct height above the window or door. Mark the center of the window or door to make sure the awning is centered.



Ensure the back bar is level and fasten the clamps tightly to the wall.

Review the completed awning assembly shown below.



ITEM NUMBER	DESCRIPTION
1	Back Bar
2	Cover
3	Valance
4	Front Bar
5	Pocket
6	Return Arm
7	Rafter

Slide the rope sewn into the back edge of the cover into the back bar on the wall. You may need to use a screwdriver to slightly open the channel at each section if the fabric catches on the edges.

Assemble the front bar and slide it into the front pocket of the cover.

Hold the front bar out from the wall so the rafter is level to the ground to loosen the fabric. Install a rafter connecting the back bar to the front bar. Raising the front bar to the same height as or above the back bar may be required. A second person to hold the front bar out and level may be needed on larger awnings.

Loosely fasten a nut at each end of the back bar to hold the rafter in place.

- **DO NOT TIGHTEN THE NUTS ON THE ENDS OF THE FRONT AND BACK BAR UNTIL THE INSTALLATION IS COMPLETED.**

Repeat the above step for the rafter on the opposite end of the awning.

Slide the return arm into the pocket on the side panel of the awning. Make sure the tab for mounting the return arm to the wall is facing to the inside of the awning. Loosely fasten a nut at each end of the front bar to hold the rafter and return arm in place.

Level the return arms and fasten the end of the return arms to the wall. **Pull the return arms down firmly to further tension the fabric before fastening.** The last step is to tighten the frame bolts.

Install Center Brace – 8' Wide Standard Awning Only: Slide the open end of the center brace over the stub on the center section of the front bar. Insert the pin on the opposite end into the hole in the center section of the back bar. Place as much tension on the fabric as possible and secure the center rafter with the fastener.

Congratulations - Your Visor Standard Awning installation is now complete!

If you would like a waterproof seal at the wall, use a non-adhesive caulk to seal the aluminum channel to the wall. This is not recommended if you will be removing the awning each season.

Care and Maintenance

One of the best ways to keep your Standard Awning fabric looking great is to hose off the fabric on a monthly basis with clear water. This practice will help prevent dirt from embedding in the fabric and reduce the need for vigorous cleanings. In most environments, a thorough cleaning will be needed every two to three years. When it's time for a thorough cleaning, the Standard Awning fabric can be cleaned on the awning frame or easily removed for cleaning in your washing machine.

If you are cleaning your awning on the frame follow these simple steps:

- Brush off loose dirt.
- Hose down.

Prepare a cleaning mixture of water and mild, natural soap (no detergents).

- Use a soft bristle brush to clean.
- Allow soap to soak in.
- Rinse thoroughly.
- Air dry.

If you are removing the cover and using a washing machine, these steps should be followed:

- Use only natural soaps. No detergent.
- Wash and rinse in cold water.
- Air dry. **Never put the awning fabrics in your dryer.**

After a thorough cleaning, the awning fabrics should be treated to re-establish water repellency. Your awning fabric is treated with fluorocarbon-based water repellency chemicals during manufacturing, and it is recommended that a retreatment with ScotchGard® or similar product is done following cleanings.

General Care Tips

- **Keep trees and shrubs trimmed back from all canvas awnings**
- **Do not use harsh chemicals or bleaches for cleaning.**
- **Insect repellents and other chemicals can damage the fabric**
- **Do not hang from the awning, it will damage the fabric and the frame**
- **Remove awnings for painting**
- **Snow accumulation will stretch or tear the fabric**
- **Remove awnings during snow conditions**
- **Do not let water pool on the frame.**

We appreciate your purchase of the Standard Canvas Awning. We have made every effort to supply a high quality product that insures trouble free service for many years. Please contact us if you have any type of questions, concerns or if we can be of help in any way.