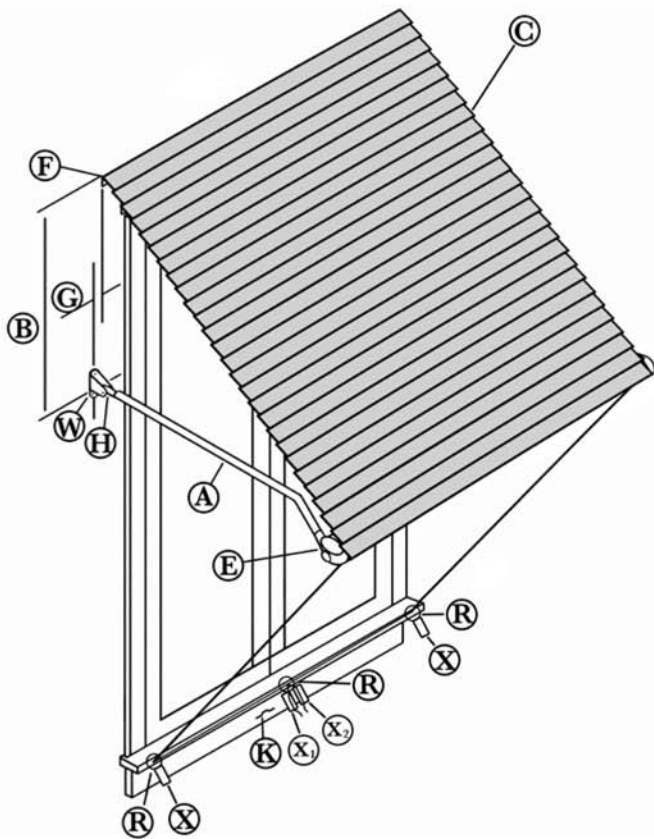


# Frost & Surfliner

## Roll-Up Awning - Installation Instructions

### \* WARNING \*

**DO NOT REMOVE 'REWIND TENSION NAIL' FROM END OF AWNING ROLLER TUBE UNTIL STEP #12. SERIOUS INJURY COULD OCCUR.**



Frost & Surfliner Roll-Up Awnings

### Step 1.

Center and level **mounting bar** (F) with the round bead portion up above the window frame and fasten securely.

### Step 2.

Measure down (**dimension** (B)) from the top of the **mounting bar** (F) as follows:

Model #0 - Awning 20"    Model #1 - Awning 26"  
 Model #2 - Awning 32"    Model #3 - Awning 38"  
 Model #4 - Awning 44"

### Step 3.

Measure out (**dimension** (G)) 1/2" from **mounting bar** (F) on each side and plumb down to intersect with (**dimension** (B)).

### Step 4.

Install **wall brackets** (W) by locating the center at the point where the guidelines cross.

### Step 5.

Slide the bead of the **awning curtain** (C) into the bead of the **mounting bar** (F), and allow the **awning curtain** (C) to hang down.

### Step 6.

Center the **awning curtain** (C) in the **mounting bar** (F), and squeeze together neatly with a pair of pliers both ends of the **mounting bar** (F) locking the panel assembly in place.

### Step 7.

Attach the **support arms** (A) to the end of the **connector trim caps** (E), twist until locked.

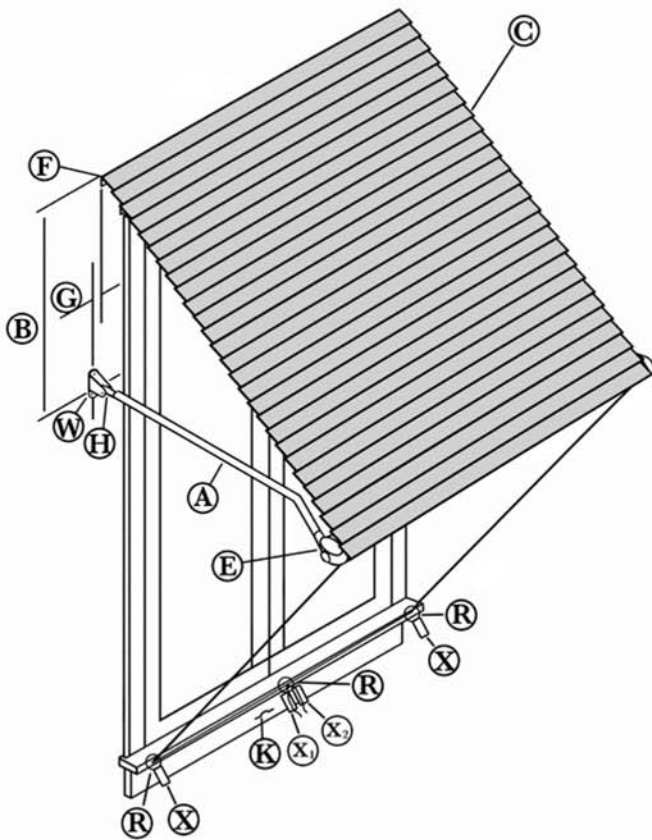
### Step 8.

Insert the **end plugs** (H) into the end of the **support arm** (A) and twist until locked. Install the end of the **support arm** (A) into the **wall bracket** (W) and attach with a screws.

# Frost & Surfliner

**\* WARNING \***

**DO NOT REMOVE 'REWIND TENSION NAIL' FROM END OF AWNING ROLLER TUBE UNTIL STEP #12. SERIOUS INJURY COULD OCCUR.**



**Frost & Surfliner Roll-Up Awning**

## Step 9.

On or below the windowsill, measure in at least 3" on each side. Install (1) **screw hook** (R) to each side with (1) **pulley** (X) on each and squeeze closed. In the center of the window install (1) **screw hook** (R) with (2) **pulley's** (X1, X2) and squeeze closed. Below these **pulley's**, install the **cord cleat** (K).

## Step 10.

Thread cord through **pulley** (X) first and then repeat on the other side then through the **pulley's** (X1 & X2) in the center. Tie both cords together pulling firmly and wrap it around the **cord cleat** (K).

## Step 11.

Grasp the roller tube with one hand and rotate slightly to relieve the pressure on the nail and remove the nail. Awning, when released, will now roll itself up when the awning cord is released.

## Step 12.

Should it become necessary to remove the awning cords for any reason; first bring the awning to the fully extended position shown in the drawing. Rotate the roller tube by hand until the nail may be fully reinserted and set back in place. This will lock the roller tube and its interior spring assembly to the **connector trim cap** (E), and permit work on the awning without losing correct spring setting.

## Parts List;

1. Mounting Bar (G) - 1
2. Support Arms (A) - 2
3. Screw hooks (R) - 3
4. Pulley's (X) - 4
5. Cord Cleat (K) - 1
6. Machine screws - 2
7. Wood screws - 12
8. End plugs (H) - 2
9. Wall brackets (W) - 2