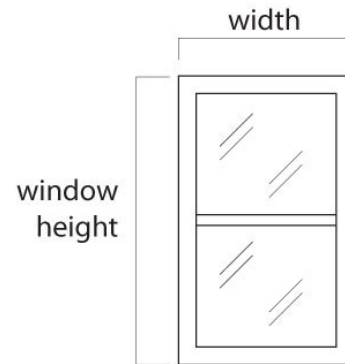


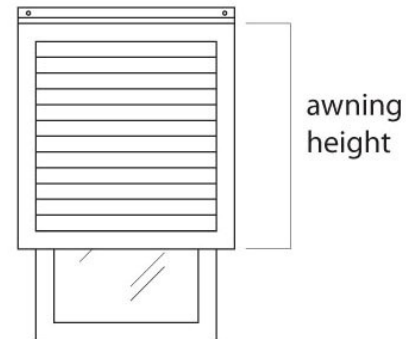
Step 1 - Measure the WIDTH

- A. Measure Left to Right, the outside-frame to outside-frame.
- B. For proper fit and appearance, add at least 6-inches to overall window Width measurement. (NOTE: Be sure light fixtures, gutters, shrubbery and other obstructions are in the way.)
- C. Mounting to the framing itself requires the following space:
 - Header Mounting Plate requires 2-1/4" High framing.
 - Support Arm Bracket requires 1-1/4" Wide x 1-1/2" High framing.



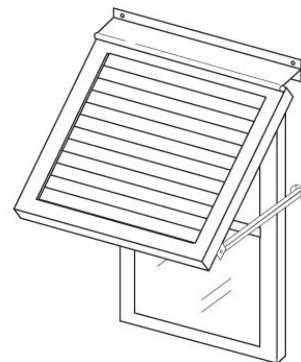
Step 2 - Determine the HEIGHT

- D. Measure Top to Bottom, the outside-frame to outside-frame.
- E. Select Height that best meets your needs. (NOTE: Awnings typically cover 1/3 the height of the glass or opening.)
- F. For entryways, please allow enough mounting space for head clearance and outward opening doors.



Step 3 - Determine required FEATURES

- G. All awning shutters are fabricated with Stationary Support Arms mounted to the underside of the cover.
- H. OPTIONAL: Adjustable Support Arms with a range of 15 to 28-inch Projection. Greater projections are available, call for details.
- I. OPTIONAL: Mounting the Support Arms onto the sides. (NOTE: Increases overall Width by 3-inches.)



Hardware DIMENSIONS

- Header Mounting Plate: 2-1/4" High x 2-1/2" Projection x Width
- Support Arm Bracket: 1-1/4" Wide x 1-1/2" High x 1-1/4" Projection
- Square Support Arms: 1" x 1" x Length
- Adjustable Support Arm (Inside): 3/4" x 3/4" x Length