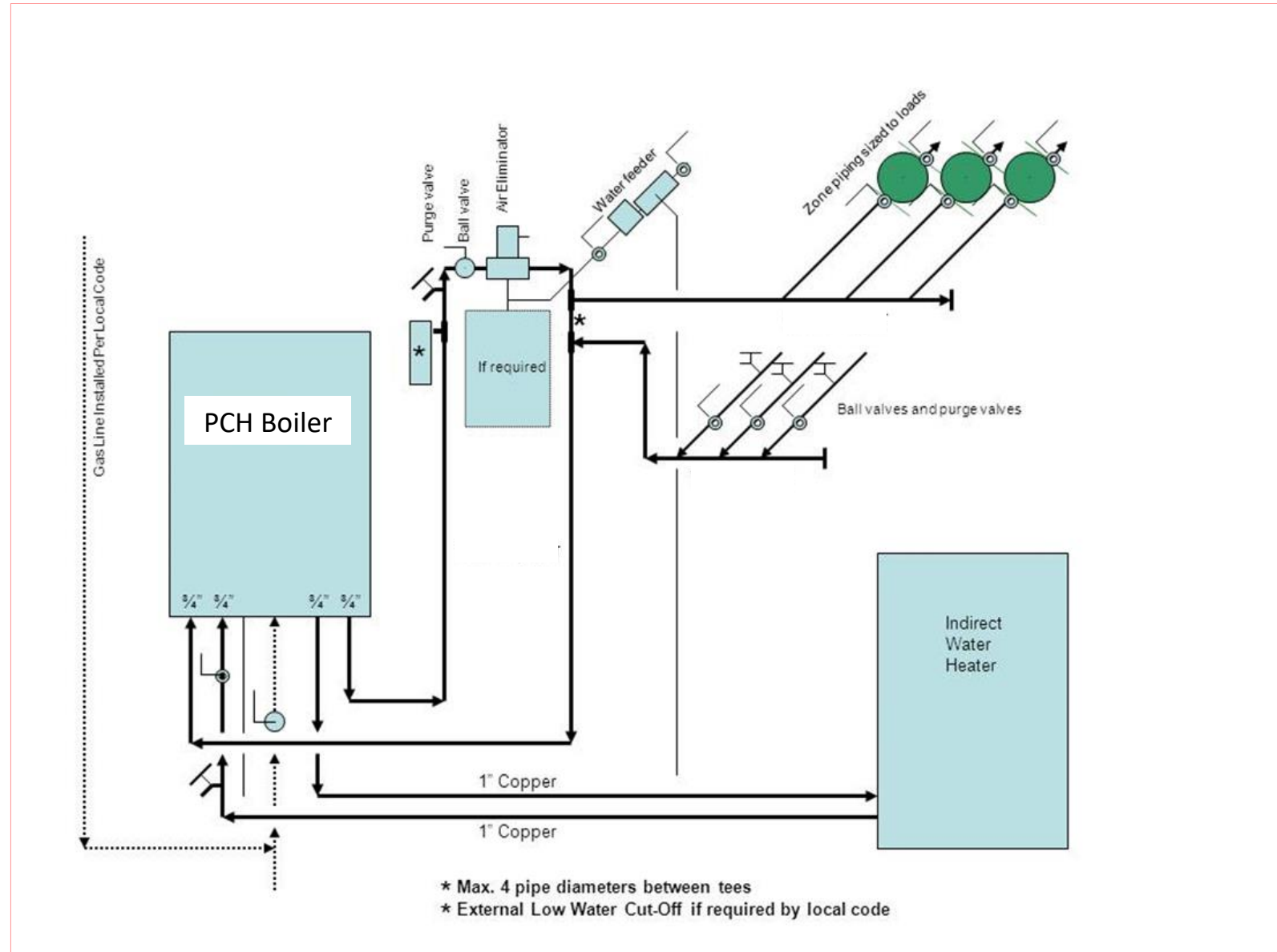


These piping diagrams are examples for illustrative purposes only. They are not designed to be used as a piping schematic.

- *Max. 4 pipe diameters between tees
- *External Low Water Cut-Off if required by local code
- *Tempering Valve May be Required – Consult Local Codes
- *Must leave at least 15” of straight pipe on either side of closely spaced tees

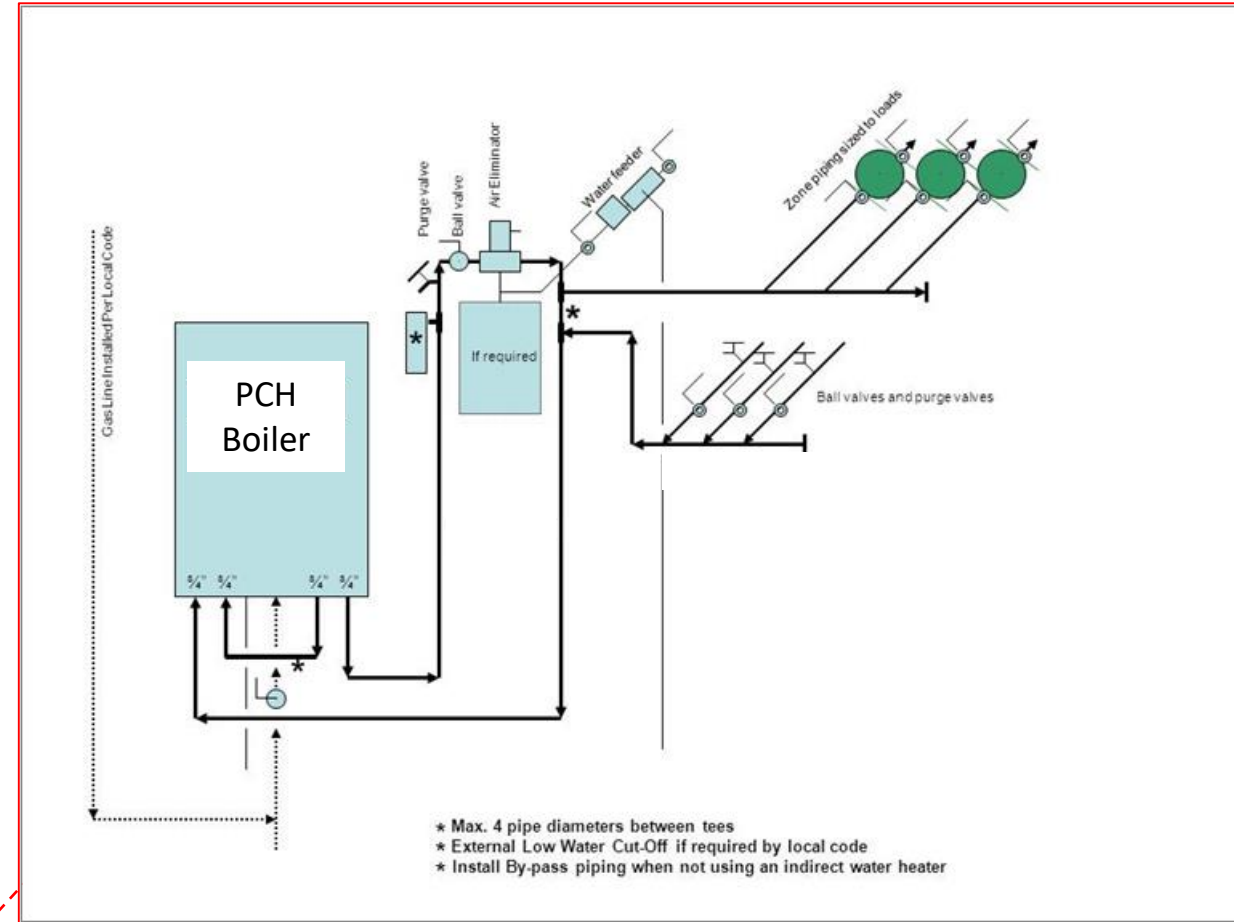
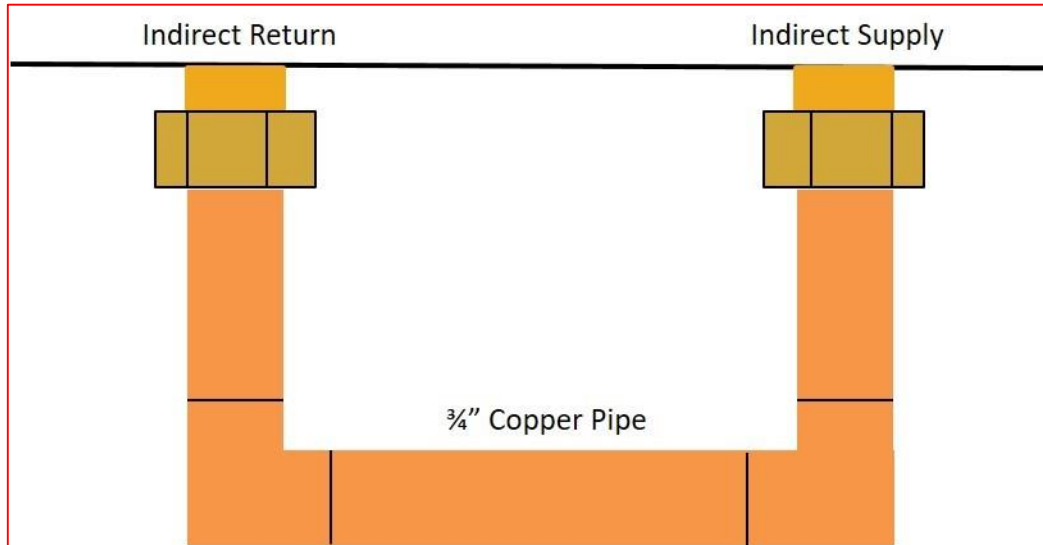
Primary Piping Sizes:

- PCH 18/BHK – 1” Copper
- PCH 34/BHK – 1 ¼” Copper
- PCH 50/BHK – 1 ½” Copper
- PCI 18/8HK – 1” Copper
- PCC 34HK – 1 ¼” Copper



These piping diagrams are examples for illustrative purposes only. They are not designed to be used as a piping schematic.

- *Max. 4 pipe diameters between tees
- *External Low Water Cut-Off if required by local code
- *Tempering Valve May be Required – Consult Local Codes
- *Must leave at least 15” of straight pipe on either side of closely spaced tees



If NOT installing an indirect water heater directly to the boiler you must install a by-pass using the supplied indirect boiler connections between "RB & AB". See page 20 for more information.

Set parameter P00 to "05" – "Heat Only".