

# RESOLUTION



## RE620 Cryptix™ Repeater

**Repeater** is a battery backed up device that extends the wireless range of Cryptix sensors.

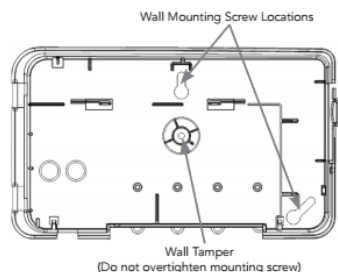
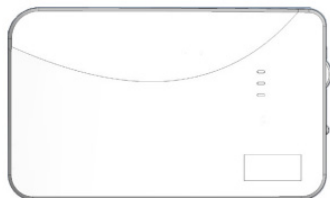
### Features

- Extends Wireless Cryptix™ Sensor Range
- Rechargeable Backup Battery
- Cover and Wall Tamper
- 5 Year Warranty

**Enroll** the repeater by placing the panel into wireless enrollment mode and then tampering the repeater. Alternatively, the repeater can be enrolled using the HeliLink app or by entering its 8-character serial number on the interactive service provider's web portal.

**Install** by mounting the repeater in the desired location using the mounting screw holes. Then connect the power supply to the repeater.

**Configuration** mode is entered by pressing and releasing the "**Configure**" button. Configure the Device by setting both the "**Panel Select**" and the "**Sensor Select**" knobs to position 8.



### Configuration Mode Tips

- Configuration mode ends automatically when the cover is closed, or 30 minutes after the last action.
- Configuration mode is locked out 24 hours after power up.
- To re-enter configure mode, the repeater must be power cycled by removing both the 12VDV input power and backup battery for at least 5 seconds.
- When re-entering configuration mode, previously learned sensors are retained.

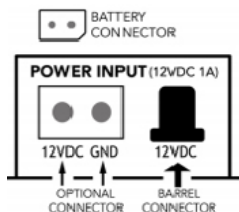
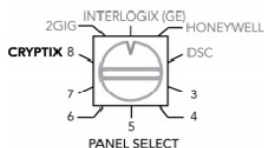
\*When repeating life safety devices, 2 repeaters **MUST** be used in parallel.

**Learn Sensors** to be repeated by placing the repeater into configuration mode and tripping the desired sensors. Cryptix Repeater will only function with Cryptix sensors. The board will not support any other sensors.

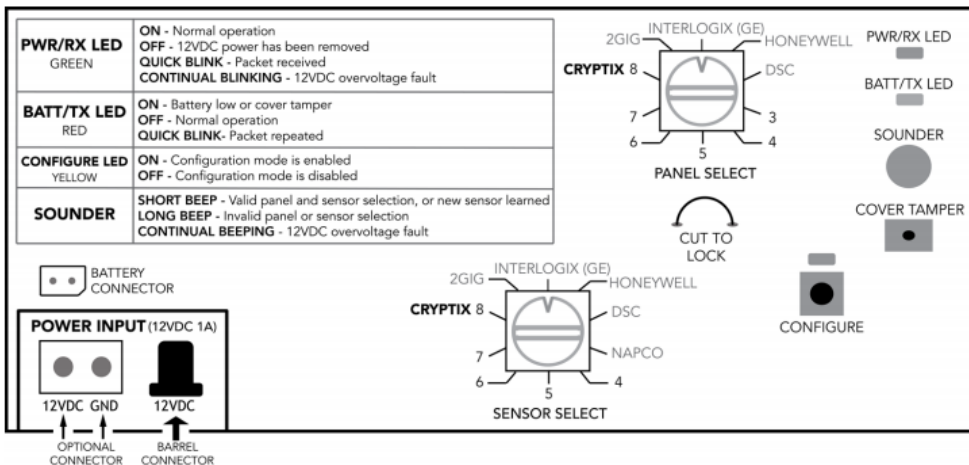
### Sensor Learning Tips

- The repeater will beep after learning each new sensor.
- Sensors not learned into the repeater **will not** be repeated.

### Panel Select Knob



**Replace the battery** by opening the cover, disconnecting the old battery and installing a new battery.



## Specifications

<b>Physical</b>	
Housing Dimensions	8.5 x 1.0 x 1.3 inches (21.6 x 2.5 x 3.3 Cm)
Weight with Battery	16 ounces (454 g)
Mounting Screws	#4 or #6 (Not Included)
<b>Environmental</b>	
Operating Temperature	32°F to 120°F (0°C to 49°C)
Maximum Humidity	85% non-condensing relative humidity
<b>Power</b>	
12VDC Output	10.2VDC to 13VDC, 150mA Max
Battery Specifications	6VDC 800mAh NiMH
Transmitted Indications	Low Battery, Cover Tamper, Wall Tamper, Supervision
<b>Certification</b>	
RE620	FCC, IC

*Specifications subject to change without notice*

### WARRANTY

Resolution Products, Inc. will replace all non-portable products that are defective in their first five (5) years and all portable products that are defective in their first two (2) years.

### IC NOTICE

This device complies with Industry Canada license-exempt RSS standard(s). Operation is subject to the following two conditions:

- (1) This device may not cause interference, and
- (2) This device must accept any interference, including interference that may cause undesired operation of the device.

Le présent appareil est conforme aux cnr d'Industrie Canada applicables aux appareils radio exempts de licence. L'exploitation est autorisée aux deux conditions suivantes:

- (1) L'appareil ne doit pas produire de brouillage, et
- (2) L'utilisateur de l'appareil doit accepter tout brouillage radioélectrique subi, même si le brouillage est susceptible d'en compromettre le fonctionnement.

IC: 8310A-RE524X

### FCC NOTICE

This device complies with Part 15 of the FCC rules. Operation is subject to the following two conditions:

- (1) This device may not cause harmful interference.
- (2) This device must accept any interference that may be received, including interference that may cause undesired operation.

Changes or modifications not expressly approved by the Resolution Products, Inc. could void the user's authority to operate this equipment.

FCC ID: U5X-RE524X

### CE DECLARATION OF CONFORMITY

Hereby, Resolution Products, Inc. declares that this RE320 is in compliance with the essential requirements and other relevant provisions of directive 1999/5/EC.

*(This declaration can be translated to other languages via a myriad of translation tools found on the Internet.)*

47-0035-08 • RevA • 2017-09-06  
Tech Support Line (877) 260-5578  
[www.ResolutionProducts.com](http://www.ResolutionProducts.com)