

Installation Instructions

The 5811 is a single zone Door/Window Transmitter, compatible with alarm systems that support 5800 series wireless devices. 5811 has a unique serial number permanently assigned during manufacture, which must be entered into the control panel upon installation.

NOTES

- Refer to the panel's installation instructions for programming details.
- During programming of the control unit, 5811 transmitters should be treated as "RF" (i.e. supervised RF) Type.

Mounting

Choose a mounting location for the 5811 where the device is stationary and the magnet is mounted to the moving part of the door or window. To verify adequate signal strength conduct the Go/No Go test (see control's instructions) on the 5811 before mounting permanently.

1. **Install the Battery** by inserting one edge of the battery under one of the two plastic battery retainer clips, then pressing down firmly to snap it beneath both clips; see **figure 1**.
2. **Mount the 5811 using double-faced tape** (supplied) by affixing it to the back of the unit and mounting the unit in place. Use screws (optional) if desired; see **figure 2**. Mount the magnet (supplied) near the alignment marks on the case (see Diagram).

Replacing an existing unit: The back mounting plate must be replaced when replacing the 5811. Use standard installation practices when removing the unit to avoid any damage to the mounting surface.

3. Engage the case tabs (see **figure 2**), then rotate the housing to close. Engage the latch with firm pressure to close and lock.

Battery Removal

1. Open the housing by inserting a flat blade screwdriver into latch and twisting gently.
2. Remove the old battery cell using a small flat screwdriver into the latch and gently twisting it until the cover becomes removable (see figure 3).

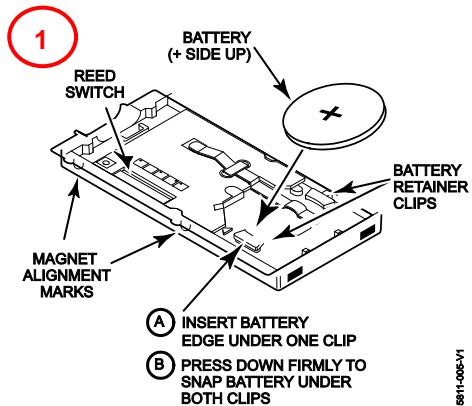


Figure 1: Battery Installation

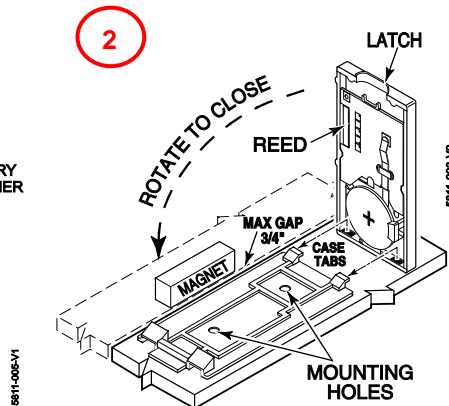


Figure 2: Mounting

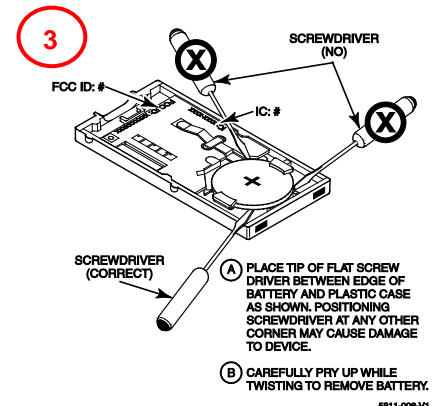


Figure 3: Battery Removal

Specifications

Dimensions:	2-1/8" (55mm) x 1-3/16" (30mm) x 1/4" (7mm)
Operating Conditions:	23° F (-5° C) to 120° F (50° C) Relative Humidity 95%, (non-condensing)
Replacement Battery:	Panasonic/Sener CR2032 and Duracell DL2032

NOTE: The FCC ID and IC Certification number is on the back of the plastic case, or see the diagram in the “*Figure 3: Battery Removal*” section for the alternate location.

FEDERAL COMMUNICATIONS COMMISSION STATEMENT

The user shall not make any changes or modifications to the equipment unless authorized by the Installation Instructions or User Manual. Unauthorized changes or modifications could void the user's authority to operate the equipment

FCC/IC STATEMENT

This device complies with Part 15 of the FCC Rules, and RSS-210 of Industry Canada (IC). Operation is subject to the following two conditions: (1) This device may not cause harmful interference (2) This device must accept any interference received, including interference that may cause undesired operation.

Cet appareil est conforme à la partie 15 des règles de la FCC & de RSS 210 des Industries Canada. Son fonctionnement est soumis aux conditions suivantes: (1) Cet appareil ne doit pas causer d'interferences nuisibles. (2) Cet appareil doit accepter toute interference reçue y compris les interferences causant une reception indésirable.

SUPPORT & WARRANTY

For the latest documentation and online support information, please go to:
www.MyWebTech.Honeywell.com

For the latest warranty information, please go to:
www.honeywell.com/security/hsc/resources/wa



MyWebTech



Warranty

Honeywell

2 Corporate Center Drive, Suite 100
P.O. Box 9040, Melville, NY 11747

Copyright © 2013 Honeywell International Inc.
www.honeywell.com/security



800-03928V2 4/15 Rev. C