

HARDWARE CONVERSION KIT

2GIG-TAKE-KIT1



The 2GIG Hardwire Conversion Kit (2GIG-TAKE-KIT1) provides installers with an easy method for taking over a pre-wired security alarm system and converting the existing hardwired zones to wireless zones. To ensure optimal performance with the 2GIG Control Panel, the kit provides an ABS Plastic enclosure (UL 94: V-0) to protect the kit's components. The enclosure houses up to three (3) Super Switch Takeover Modules (2GIG-TAKE-345) and the Power Supply Board with backup battery charging circuit. It also includes a space for placing a suitable backup battery.

The Super Switch cannot be used to monitor Carbon Monoxide (CO) or Fire detection zones and the Hardwire Conversion Kit is intended for indoor use only.

SPECIFICATIONS

Enclosure

Material and Certification ABS Plastic UL 94: V-0

Dimensions 11.5 x 12.5 x 4 in (29.2 x 31.8 x 10.2 cm)

Super Switch Takeover Module

Wireless Takeover of an Alarm System U.S. Patent No. 8,638,218

Wireless Signal Range 350 ft. (160.7 m), open air, with Wireless Control Panel

Code Outputs For each of the eight (8) serialized zones: Alarm, Restore; Fault; Low Battery

Transmitter Frequency 345.00 MHz (crystal controlled)

Unique ID Codes Over one (1) million different code combinations

Supervisory Interval 70 minutes

Peak Field Strength Typical 50m000 uV/m at 3m

Sensor Dimensions (L x W x H) 3.54 x 2.56 x 1.13 in (9.0 x 6.5 x 2.9 cm)

Weight (including battery & bracket) 2.85 oz. (80.8 g)

Housing Material ABS Plastic

Color White

Operating Temperature -32° F to 120° F (0° C to +49° C)

Relative Humidity: 5-95% Non-Condensing

Operating Voltage 9-16 VDC, 50mA

Certification ETL, FCC Part 15, and Industry Canada

2GIG by Linear | 1950 Camino Vida Roble Suite 150 | Carlsbad, CA 92008 | 866.670.1591 | info@2gig.com | dealer.2gig.com

Copyright © 2014 Linear LLC. All rights reserved. GoControl is a registered trademark of Linear LLC. All other products or name brands are trademarks of their respective holders. Specifications and product availability subject to change without notice. Visit the 2GIG dealer web site at dealer.2gig.com or contact your local 2GIG dealer for more information.

HARDWARE CONVERSION KIT

2GIG-TAKE-KIT1



SPECIFICATIONS

Power Supply Board

Input	16.5VAC, 20VA from UL Listed
Output	12/24 VDC
Battery Backup	Built-in charger for sealed lead or gel type batteries, automatic switch over to stand-by when AC fails
Supervision	Low battery and AC fail supervision for "C" contacts (1 amp @ 28 VDC)
Visual Indicators	AC input and DC output LED indicators

Grounded Plug-in Transformer

Primary	120VAC 60Hz
Secondary	16.5VAC 50VA
LED Indicator	Supervises Power
Primary Termination	2 Male Blades and Grounding Pin
Secondary Termination	3 #6-32 Screw Terminals with washers for secure contact
Dimensions (W x D x H)	2.88 x 2.25 x 3.88 in (7.3 x 5.7 x 9.9 cm)
Weight	1.5 lbs
Color	White

Surge Protection:

3 Mode Protection	Line, Neutral, and Ground
Clamping Voltage	340V
Maximum Spike Current	4500 amps
Energy Dissipation	70 joules
Maximum Spike Voltage	6000 Volts
Clamping Response Time	<25 Nanoseconds

Certification	UL & ULC Listed
---------------	-----------------

2GIG by Linear | 1950 Camino Vida Roble Suite 150 | Carlsbad, CA 92008 | 866.670.1591 | info@2gig.com | dealer.2gig.com

Copyright © 2014 Linear LLC. All rights reserved. Go!Control is a registered trademark of Linear LLC. All other products or name brands are trademarks of their respective holders. Specifications and product availability subject to change without notice. Visit the 2GIG dealer web site at dealer.2gig.com or contact your local 2GIG dealer for more information.

Wireless Takeover of an Alarm System U.S. Patent No. 8,638,218



HARDWARE CONVERSION KIT

2GIG-TAKE-KIT1



SPECIFICATIONS

Grounded Plug-in Transformer

Primary	120VAC 60Hz
Secondary	16.5VAC 50VA
LED Indicator	Supervises Power
Primary Termination	2 Male Blades and Grounding Pin
Secondary Termination	3 #6-32 Screw Terminals with washers for secure contact
Dimensions (W x D x H)	2.88 x 2.25 x 3.88 in (7.3 x 5.7 x 9.9 cm)
Weight	1.5 lbs
Color	White
Certification	UL Listed
Surge Protection:	
3 Mode Protection	Line, Neutral, and Ground
Clamping Voltage	340V
Maximum Spike Current	4500 amps
Energy Dissipation	70 joules
Maximum Spike Voltage	6000Volts
Clamping Response Time	<25 Nanoseconds

2GIG by Linear | 1950 Camino Vida Roble Suite 150 | Carlsbad, CA 92008 | 866.670.1591 | info@2gig.com | dealer.2gig.com

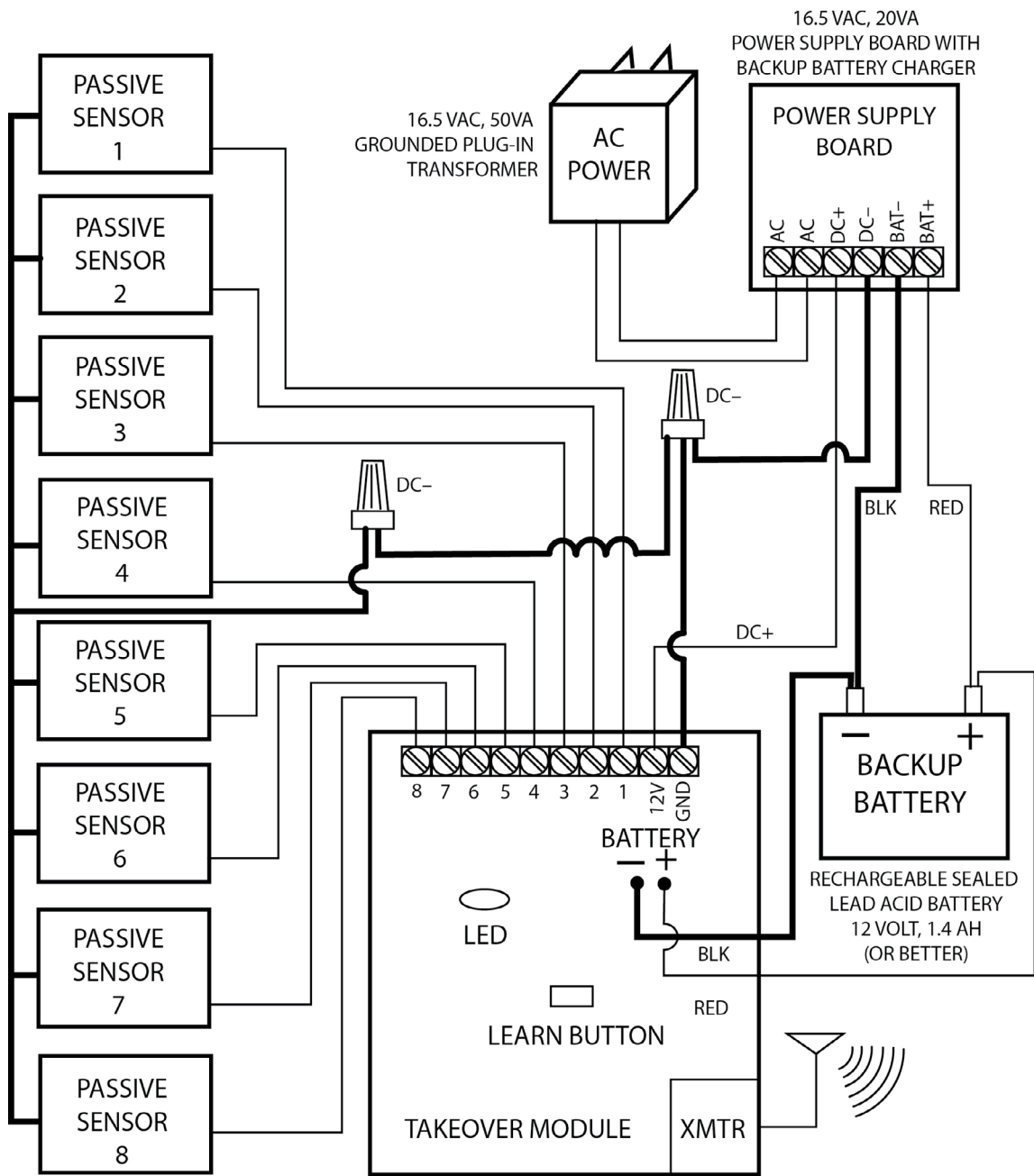
Copyright © 2014 Linear LLC. All rights reserved. Go!Control is a registered trademark of Linear LLC. All other products or name brands are trademarks of their respective holders. Specifications and product availability subject to change without notice. Visit the 2GIG dealer web site at dealer.2gig.com or contact your local 2GIG dealer for more information.

Wireless Takeover of an Alarm System U.S. Patent No. 8,638,218



SUPER SWITCH HARDWARE CONVERSION KIT

2GIG-TAKE-KIT1



Hardwire Conversion Kit (2GIG-TAKE-KIT1) Wiring Diagram

2GIG by Linear | 1950 Camino Vida Roble Suite 150 | Carlsbad, CA 92008 | 866.670.1591 | info@2gig.com | dealer.2gig.com

Copyright © 2014 Linear LLC. All rights reserved. GoControl is a registered trademark of Linear LLC. All other products or name brands are trademarks of their respective holders. Specifications and product availability subject to change without notice. Visit the 2GIG dealer web site at dealer.2gig.com or contact your local 2GIG dealer for more information.

Wireless Takeover of an Alarm System U.S. Patent No. 8,638,218

