

Characteristics

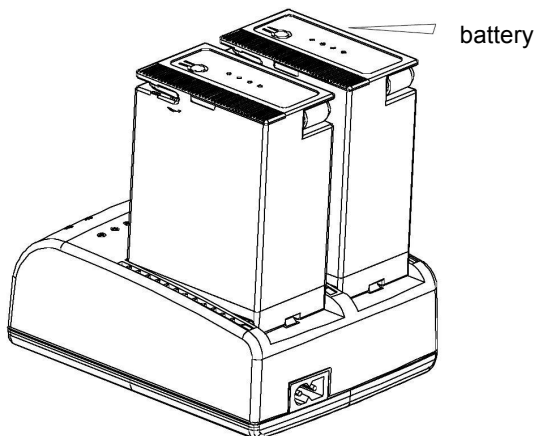
- ◆ Intelligent 2-channel charger for SWIT S-8U62 / S-8U63;
- ◆ Compatible with SONY original BP-U30/U60;
- ◆ 4-level LED charging indicators;
- ◆ 14.4V Pole Adapting output

Caution

1. Only work in the temperature between 0°C-40°C.
2. Keep the terminals clean and ensure the reliable connection.
3. Do not cover the cooling vent.
4. Never try to open the product.
5. Do not touch water or use it in wet environment.
6. Do not use metal or other conductors to touch the inside of the charger.

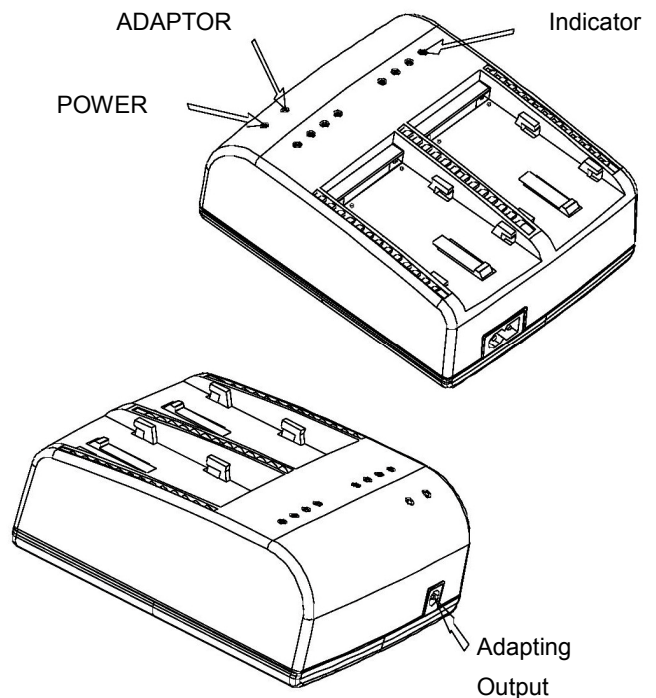
Charging

1. Connect with power lead, the charger is automatically switched on.
2. Mount the compatible batteries onto the charging slot, and the LED charging indicator will start to flash and indicates the current capacity of each battery. (25%, 50%, 75% and 100%)
3. When the battery is fully charged, all the 4 LEDs will light on and stop flashing.



Adapting output

1. The S-3602U offers one channel 5.5mm pole 14.4V DC adapting output socket.
2. Connect the provided adaptor power lead into DC socket, and the Adaptor indicator will lights on.
3. When adapting output, the charging channels will stop automatically.



Specifications

Model	S-3602U
Power input	100~240VAC, 50/60Hz
Charging output	DC 16.8V, 1.9A
Adapting output	DC 12V, 1.9A
Power consumption	Max 60W
Compatible battery	SWIT S-8U62, S-8U63 SONY BP-U60/U30
Dimension	136×110×53mm
Mass	360g