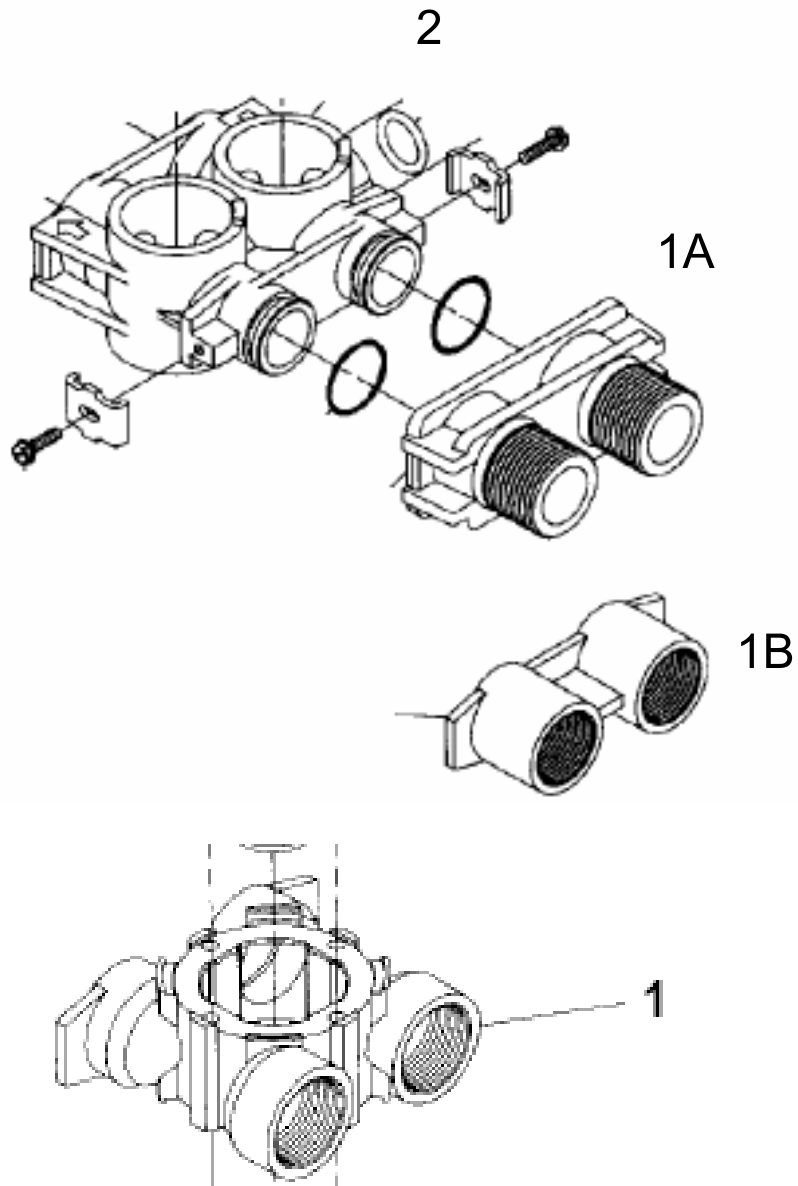


## BEDDING THE UNIT AND PREPARING FOR INSTALLATION

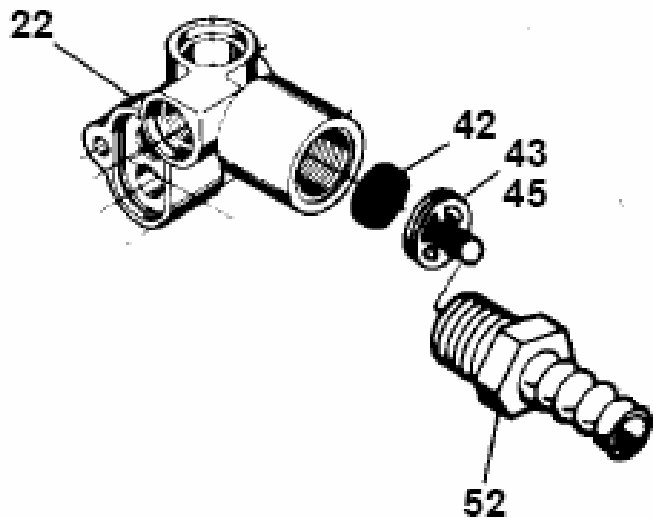
1. Your unit will come in pieces and have the following components – The tank empty, The distributor basket and tube (or pipe), the resin, possibly some gravel (not required), a control valve, bypass, and  $\frac{3}{4}$  or 1" NPT or Sweat Piping Boss.
2. You need to take the distributor tube and tape so that you cannot pour resin or gravel Distributor tube.
3. Get a bucket 5 gallon type and cut a hole that will fit over the tank or the funnel – Tape the Sides.
4. Fill the tank with the large gravel first and then the fine gravel. – If you do not have two types of gravel just fill put the gravel into the tank
5. Put the 1, 1-1/2, or 2 Cu Ft of Resin in the tank
6. Remove the tape
7. Clean the threads of any resin etc. This will possibly make the valve not seat correctly
8. Take the Valve and screw back on the tank – be careful not to cross-thread the tank. I usually go backwards until it locks in and then tighten it down.
9. After you have the valve on take it and place it where you want it.



## PREPARING THE UNIT FOR INSTALLATION TO MAIN LINES AND SWEATING COPPER

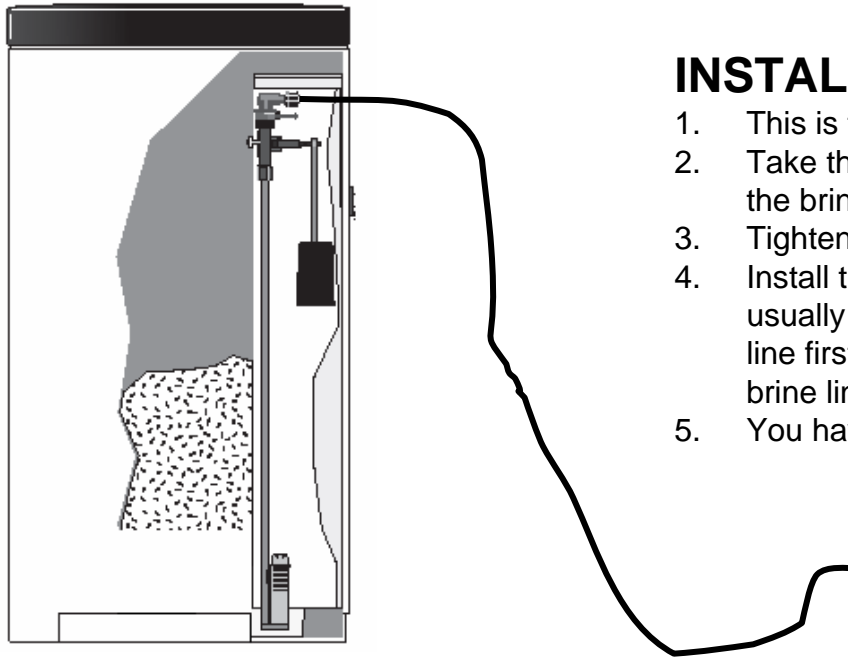
IN THIS STEP YOU WILL EITHER USE FEMALE ADAPTERS, MALE ADAPTERS, OR SWEAT COPPER ONTO THE PIPING BOSSES LABELED 1A (NPT NORYL PIPING BOSS) 1B (SWEAT PIPING BOSS. YOU WILL HAVE EITHER A NORYL (PLASTIC) OR STAINLESS STEEL BYPASS – THESE ARE SHOWN TO THE LEFT 1 (STAINLESS STEEL BYPASS) AND 2 (NORYL BYPASS).

1. If you are sweating the pipe – sweat the before attaching the piping boss using the screws and clip to attach the piping boss to the bypass.
2. If you are using the noryl piping boss take teflon tape and wrap the ends. Screw your female adapters into it. Plumb the rest of your lines into that fitting and attach your bypass and unit using the screws & clips.
3. Keep the bypass shut and get ready to attach the drain line.



## INSTALLING THE DRAIN LINE

1. You must first determine a suitable drain
  1. Examples
    1. Washer Box
    2. Floor Drain
    3. Pre-plumbed Drain
    4. Stack Pipes
    5. Surface Drain
    6. Clean Out Modified for Draining
2. Once you have determined your drain you must run the line. The waste product from the water softener will kill grass, plants, etc. This occurs even if you use potassium chloride.
3. The drain can be run in either 5/8 tubing or 1/2" PVC rigid pipe – I recommend 1/2" PVC Sch 40 Pipe unless you have over 20 feet to run. Then I suggest using 5/8 tubing which we can sell to you or you can purchase from Home Depot
4. You will either use item 52 for 5/8 tubing or use a 1/2" male adaptor for pvc pipe. You must make sure that 42 and 43 are in the drain line. This is the Drain Line Flow Button (42) and the Drain Line Flow Button.
5. Use teflon tape on the threads and tighten down the fitting-DO NOT OVERTIGHTEN
5. Plumb the drain line into either a washing machine box – floor drain etc. If you want to use a washing machine box – I have a part specifically designed for that – Cost \$25.00
6. Most codes require some type of air gap – We have some fitting specifically designed for Air Gaps on washer boxes.



## INSTALLING THE BRINE LINE

1. This is the final step before start up.
2. Take the 3/8" Tubing and insert it into the compression fitting on the brine tank.
3. Tighten the nut – do not over tighten.
4. Install the other end into the brass fitting on the control valve – usually this has an orange cap on it. Put the brass nut on the line first, then the brass ferrule, and the brass insert into the 3/8 brine line. Tighten this down.
5. You have completed the brine line set-up



## GENERAL START-UP

1. This is the final step
2. Move the valve to Rinse and plug in
3. Open the bypass to open position slowly and let the water fill – do not open all the way. If you open this too fast – you will possibly blow resin up in the valve and it will not work right. After the valve is pressurized open it all the way
4. Open the other side or completely put the valve into service
5. Fill the brine tank by moving the valve to the next stage brine refill. Let it complete the cycle.
6. Finally run your hot water for about 30-40 minutes to empty the hard water from the hot water heater.
7. Your unit is now ready for you enjoyment! recommend running the valve through the entire cycle.- The following night when you are not using water. (when you sleep)

**PLEASE FEEL FREE TO CALL US WITH ANY QUESTIONS  
AT 1-877-345-2770**