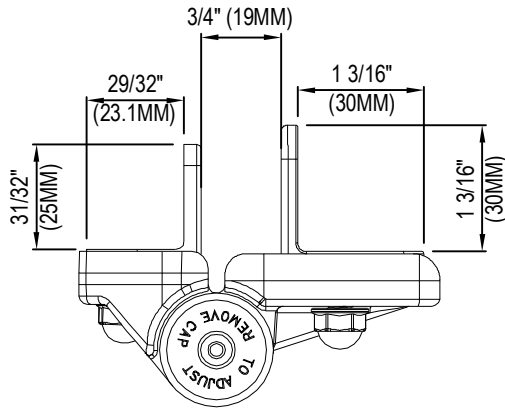




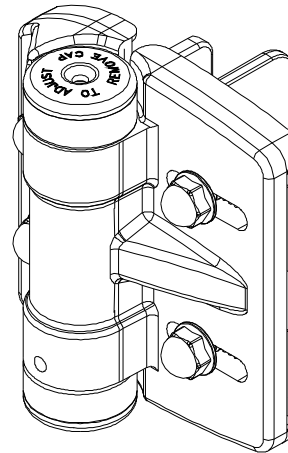
# D&D Technologies

Hi-Performance Hardware

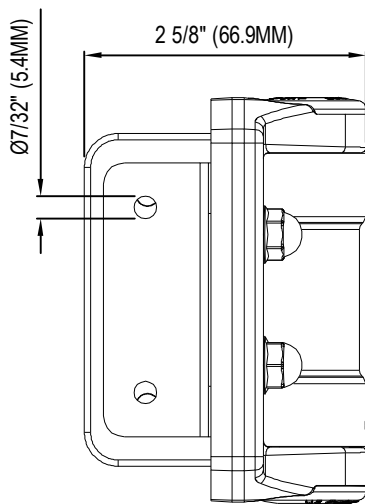
D&D TECHNOLOGIES USA, INC  
7731 WOODWIND DRIVE  
HUNTINGTON BEACH, CA 92647  
PHONE: (714) 677-1300  
FAX: (800) 464-6400  
www.ddtechglobal.com



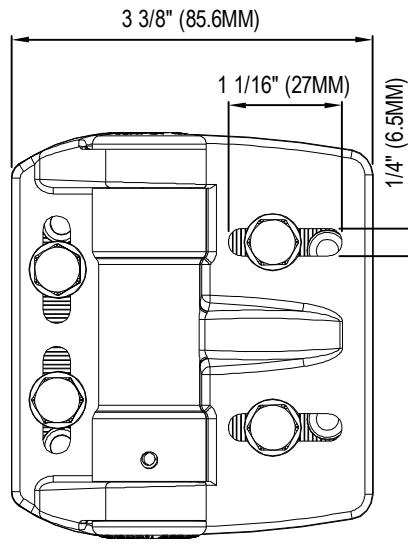
PLAN VIEW



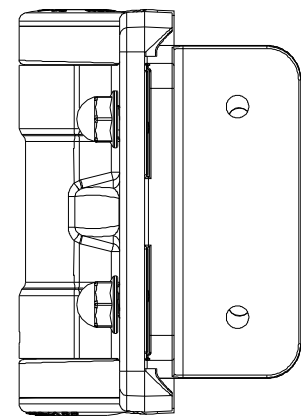
ISOMETRIC VIEW



LEFT ELEVATION VIEW



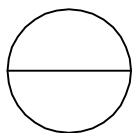
FRONT VIEW



RIGHT ELEVATION VIEW

**NOTES:**

1. INSTALLATION TO BE COMPLETED IN ACCORDANCE WITH MANUFACTURER'S SPECIFICATIONS.
2. ALL DIMENSIONS ARE CONSIDERED TRUE AND REFLECT MANUFACTURER'S SPECIFICATIONS.
3. DO NOT SCALE DRAWING.
4. THESE DRAWINGS ARE NOT FOR CONSTRUCTION PURPOSES AND ARE FOR INFORMATION PURPOSES ONLY. ALL INFORMATION CONTAINED HEREIN WAS CURRENT AT THE TIME OF DEVELOPMENT BUT MUST BE REVIEWED AND APPROVED BY THE PRODUCT MANUFACTURER TO BE CONSIDERED ACCURATE.
5. CONTRACTOR'S NOTE: FOR PRODUCT AND COMPANY INFORMATION VISIT [www.CADdetails.com/info](http://www.CADdetails.com/info) REFERENCE NUMBER 4789-089.



## TRUCLOSE REGULAR

TRUCLOSE REGULAR MINI MULTI-ADJUST - TCAMA1