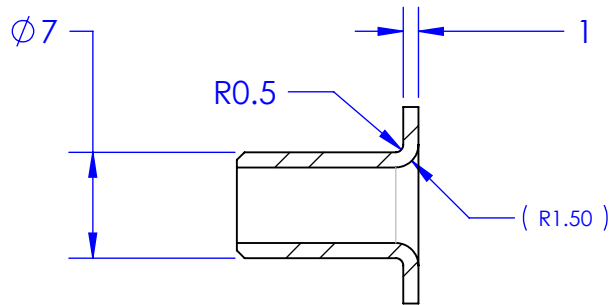
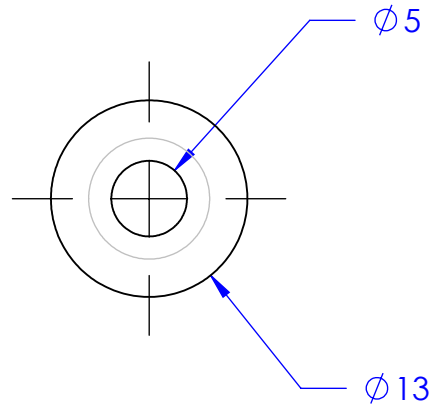
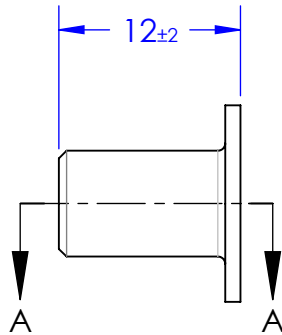
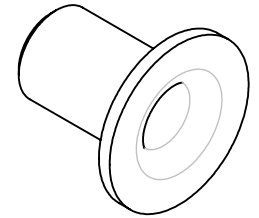


01-014-01

DWG. NO.



SECTION A-A

PROPRIETARY AND CONFIDENTIAL
 THE INFORMATION CONTAINED IN THIS DRAWING IS THE SOLE PROPERTY OF STAINLESS CABLE & RAILING, INC. ANY REPRODUCTION IN PART OR AS A WHOLE WITHOUT THE WRITTEN PERMISSION OF STAINLESS CABLE & RAILING, INC. IS PROHIBITED.

| | | | | | | |
|-------------|---------|---|---------------------------------|------|--|----------|
| | | UNLESS OTHERWISE SPECIFIED: DIMENSIONS ARE IN Millimeters | NAME | DATE | Stainless Cable & Railing, Inc. 888-686-7245 (RAIL) | |
| | | | DRAWN | GM | | 03/16/08 |
| | | TOLERANCES: x = 0.5 x.x = 0.1 x.xx = 0.01 x.xxx = 0.005 | CHECKED | | TITLE: Anti-Bite Shim | |
| | | | ENG APPR. | | | |
| | | | MFG APPR. | | | |
| | | INTERPRET GEOMETRIC TOLERANCING PER: | Q.A. | | SIZE DWG. NO. REV A 01-014-01 PR2 | |
| | | MATERIAL 316 Stainless | COMMENTS: | | | |
| NEXT ASSY | USED ON | FINISH | | | | |
| APPLICATION | | DO NOT SCALE DRAWING | SCALE: 2:1 WEIGHT: SHEET 1 OF 1 | | | |

5

4

3

2

1