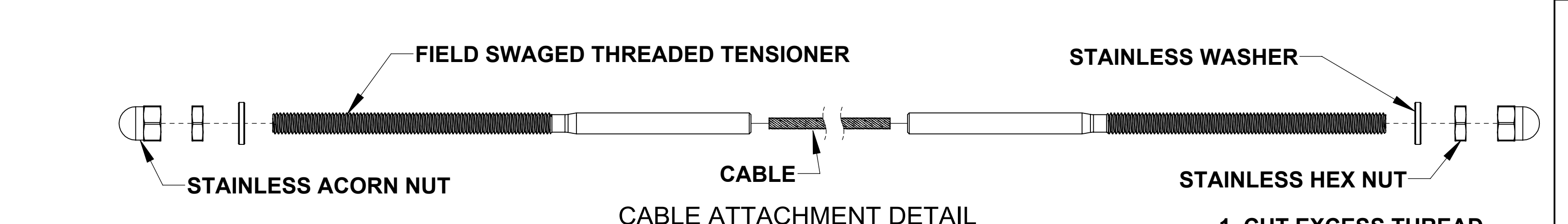
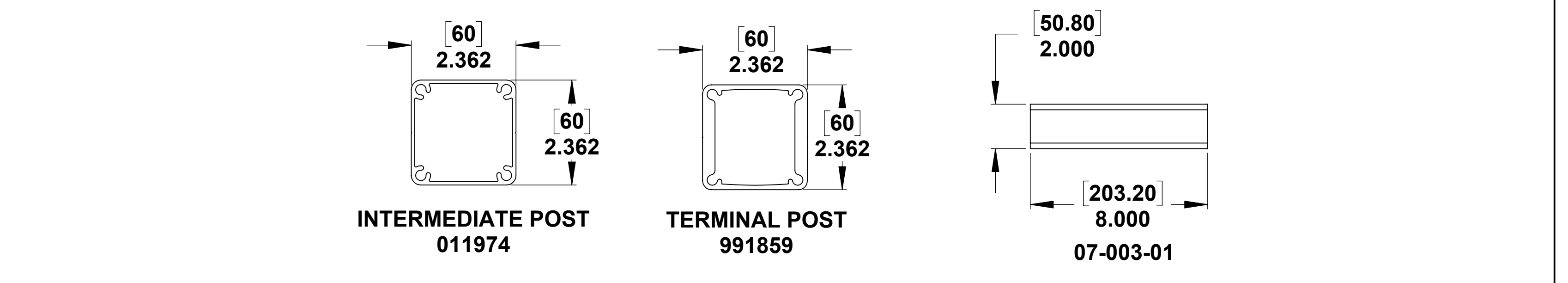
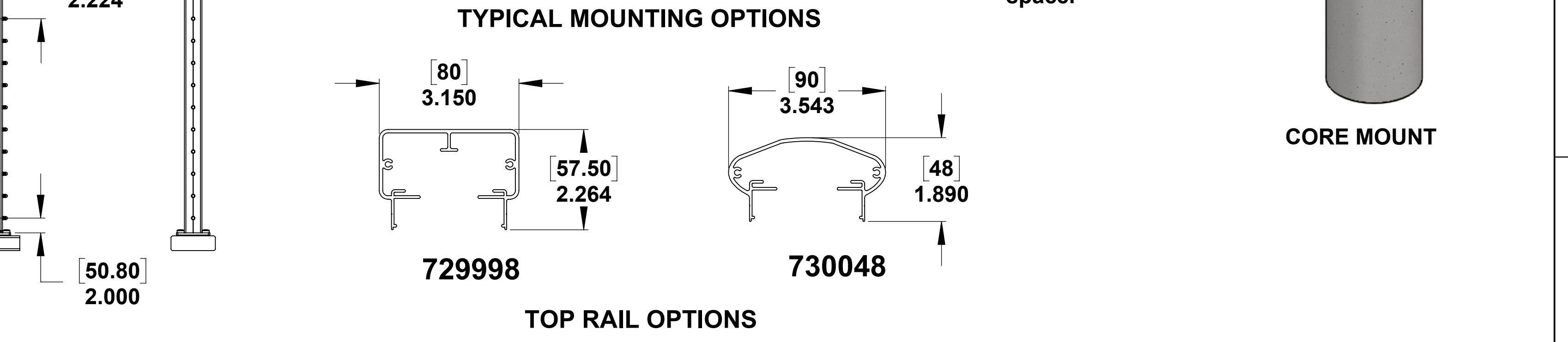
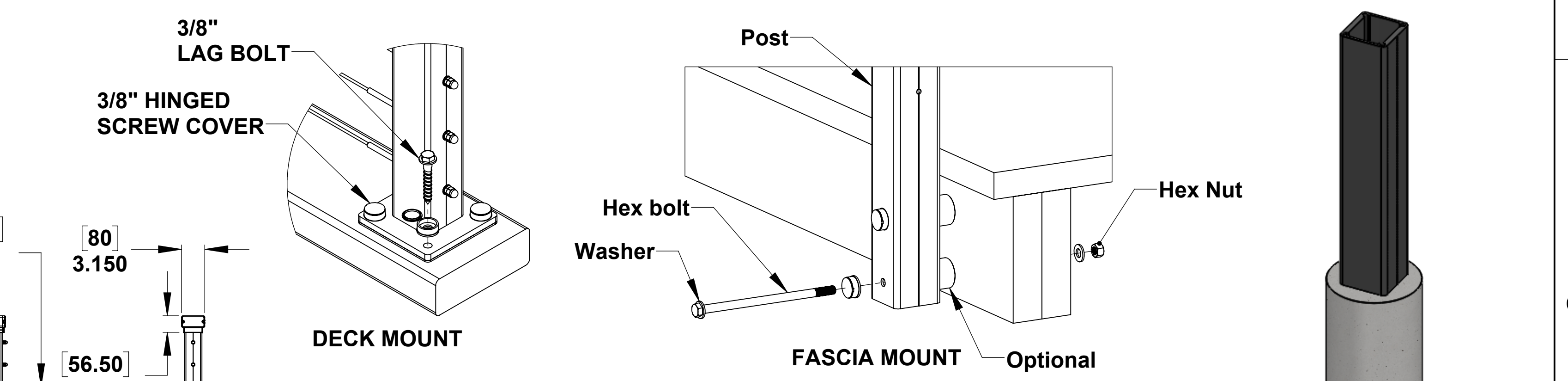
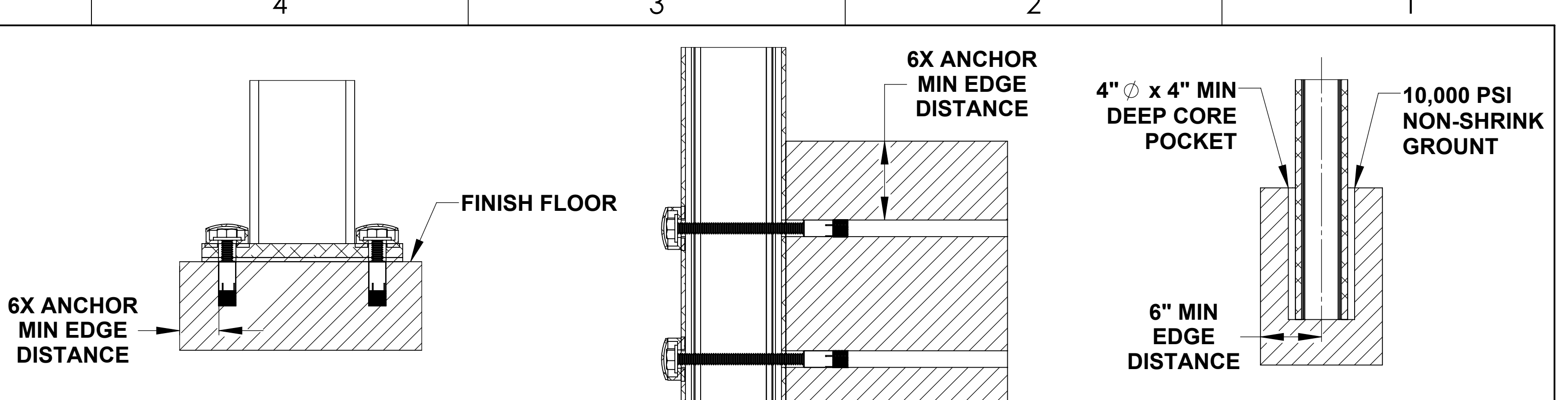
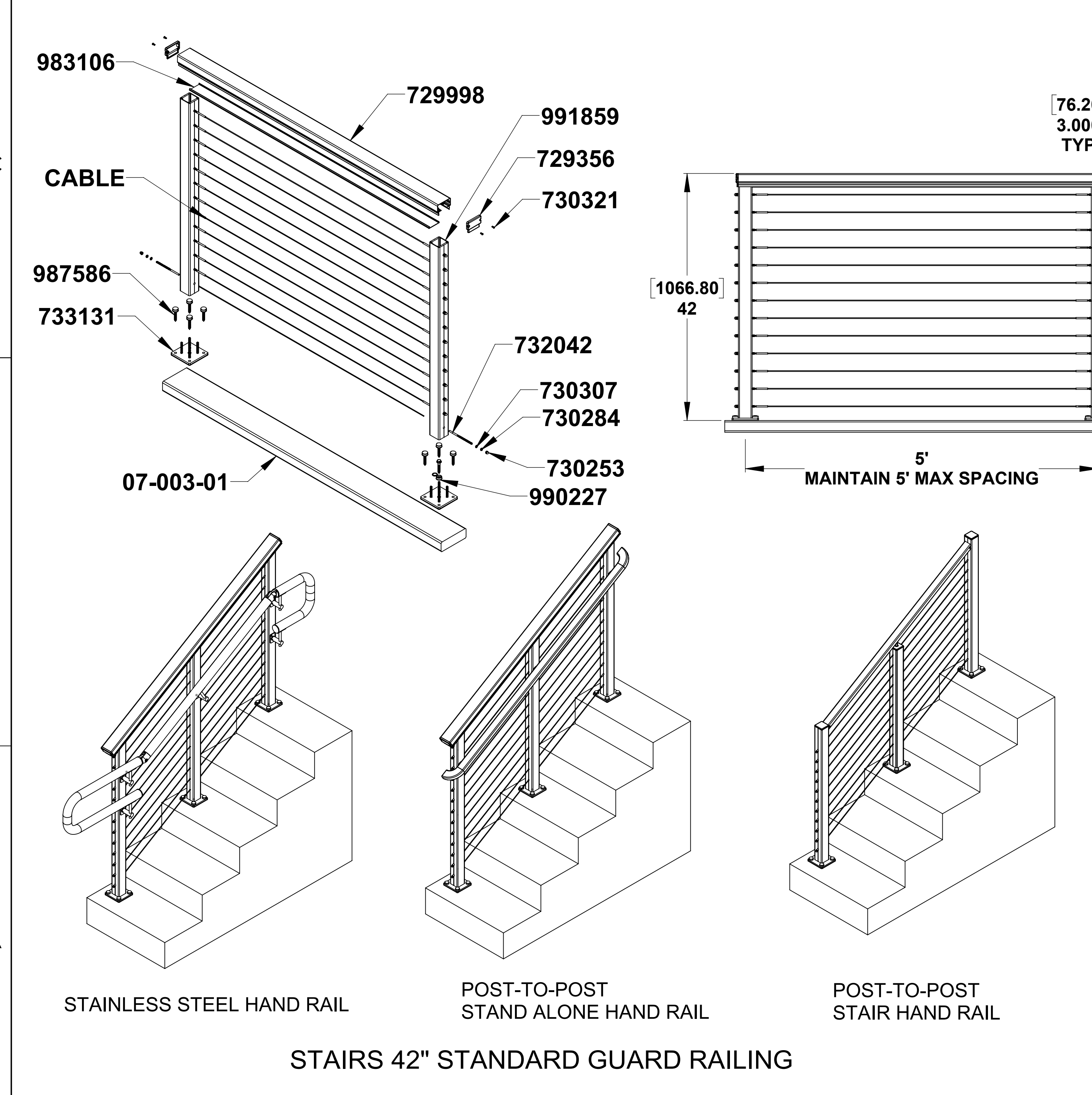


8	7	6	5
S NO.	PART NUMBER	DESCRIPTION	QTY.
1	07-003-01	WOOD	1
2	733131	BASE PLATE ASSEMBLY FOR ALUMINUM DECK MOUNT POSTS	2
3	991859	AL-POST-FM-TERM-D0	2
4	729998	RECTANGULAR TOP RAIL	1
5	729356	END CAP - PLAIN	2
6	CABLE	1/8" OR 3/16" CABLE	13
7	990227	DECORATIVE HINGED SCREW COVER FOR 3/8 LAG SCREWS	8
8	732042	FIELD SWAGED THREADED TENSIONER: FOR 1/8" CABLE RAILING	26
9	729943	TOP RAIL SNAP COVER	1
10	730284	M6 HEX NUT	26
11	730253	ACORN NUT 1/8"	26
12	730321	6-32 TYPE F PAN HEAD SCREW	4
13	987586	POST LAG ATTACHMENT HARDWARE	8
14	730307	M6 WASHER - FOR METAL POSTS & 1/8" CABLE RAILING	26



- CUT EXCESS THREAD.
- REMOVE SACRIFICIAL NUT.
- SCREW ON ACORN NUT.

	NOTES:	UNLESS OTHERWISE SPECIFIED	NAME	DATE	TITLE:
	1. DUAL DIMENSIONS SHOWN - FRACTIONAL: MATCH 2. MACHINED SURFACES TO BE 63UM MAX 3. PART TO BE FREE OF BURRS AND SHARP EDGES. 4. ALL MATERIAL TO BE CLEAN, DEGREASED AND FREE OF ALL IMPURITIES. 5. ANY CHANGE MUST BE AUTHORIZED BY AN SC&R ENGINEER.	DIMENSIONS ARE IN INCHES FRACTIONAL: MATCH ANGULAR: MATCH TWO PLACE DECIMAL THREE PLACE DECIMAL	DRAWN: SCR ENG APPR: MFG APPR: COMMENTS:	05/20/20	CABLE VIEW ALUMINUM 42" RAILING
THE INFORMATION CONTAINED IN THIS DRAWING IS THE SOLE PROPERTY OF SC&R. IT IS TO BE USED ONLY FOR THE PROJECT AND AT THE LOCATION SPECIFIED HEREIN. ANY REPRODUCTION OR TRANSMISSION OF THIS DRAWING WITHOUT THE WRITTEN PERMISSION OF SC&R IS PROHIBITED.	MATERIAL: FINISH:	SIZE: D DWG. NO.: CV-A42 SCALE: 1:12 WEIGHT:	REV: 01 SHEET 1 OF 1		