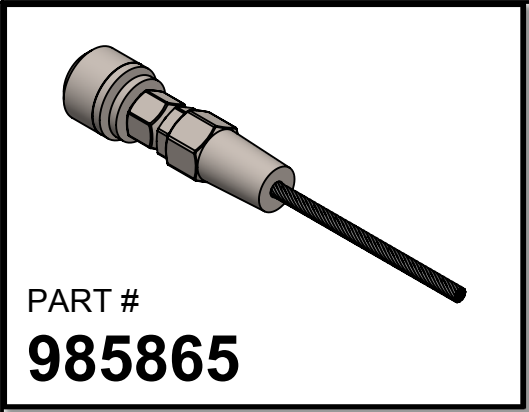


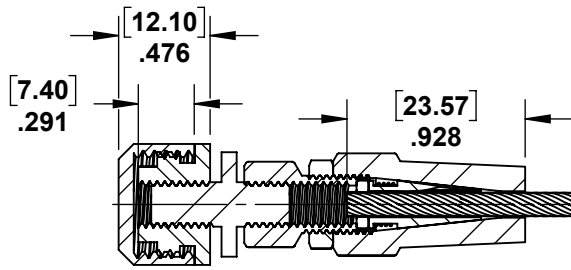
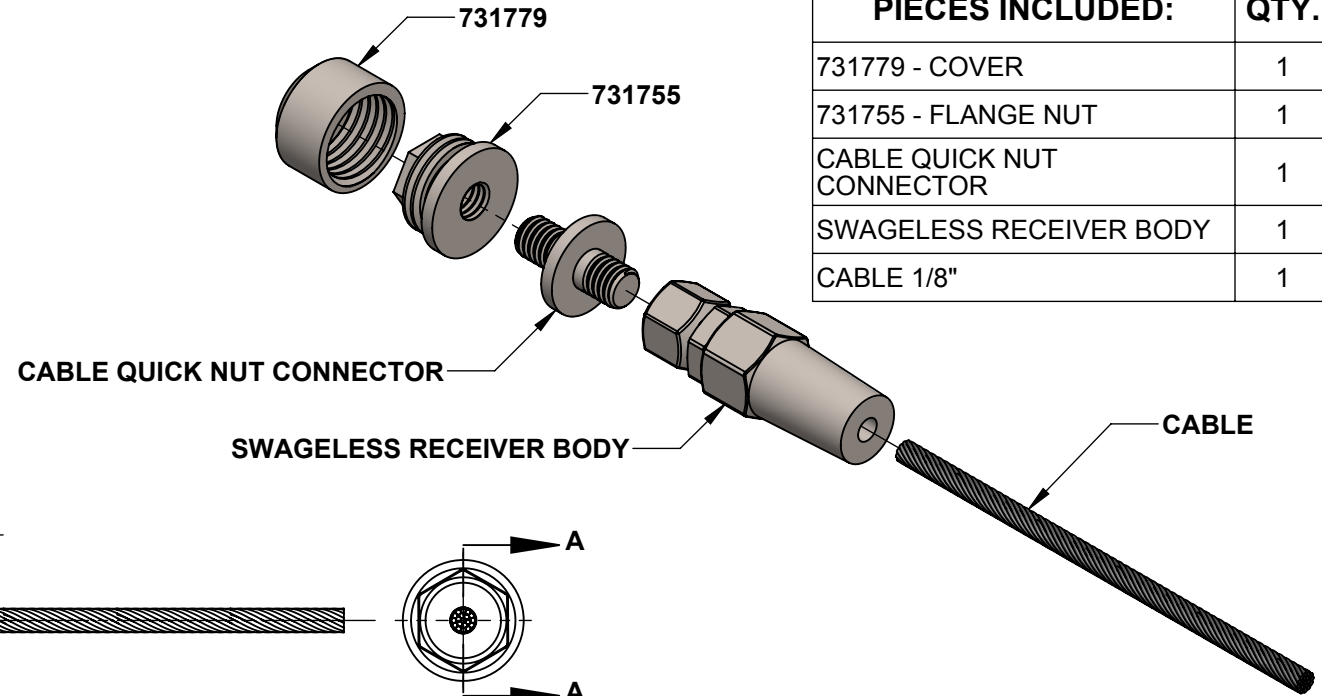
2

1

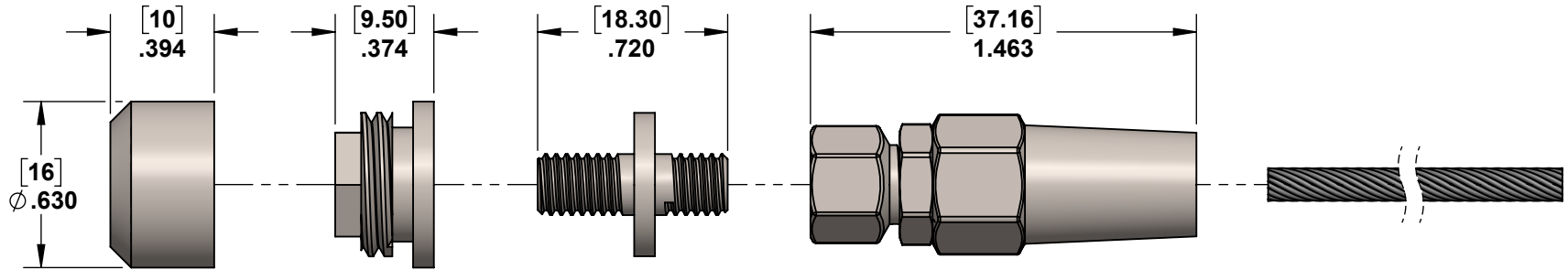


PART #
985865

PIECES INCLUDED:	QTY.
731779 - COVER	1
731755 - FLANGE NUT	1
CABLE QUICK NUT CONNECTOR	1
SWAGELESS RECEIVER BODY	1
CABLE 1/8"	1



SECTION A-A



A

A



PROPRIETARY AND CONFIDENTIAL

THE INFORMATION CONTAINED IN THIS DRAWING IS THE SOLE PROPERTY OF STAINLESS CABLE AND RAILING®. ANY REPRODUCTION IN PART OR AS A WHOLE WITHOUT THE WRITTEN PERMISSION OF STAINLESS CABLE AND RAILING® IS PROHIBITED.

NOTES: UNLESS OTHERWISE SPECIFIED		NAME	DATE
1. DUAL DIMENSIONS SHOWN - INCHES [MM].	DIMENSIONS ARE IN INCHES FRACTIONAL ±	DRAWN	SCR 02/21/18
2. MACHINED SURFACES TO BE 63uIN MAX.	ANGULAR: MACH ±	ENG APPR.	
3. PART TO BE FREE OF BURRS AND SHARP EDGES.	TWO PLACE DECIMAL ±	MFG APPR.	
4. ALL MATERIAL TO BE CLEAN, DEGREASED AND FREE OF ALL IMPURITIES.	THREE PLACE DECIMAL ±	COMMENTS:	
5. ANY CHANGE MUST BE AUTHORIZED BY AN SC&R ENGINEER.	MATERIAL		
	FINISH		

TITLE: CABLE QUICK LOCK SWAGELESS RECEIVER 1 - FOR METAL POSTS & 1/8" CABLE		
SIZE	DWG. NO.	REV
A	985865	01
SCALE: 1:1	WEIGHT:	SHEET 1 OF 1

2

1