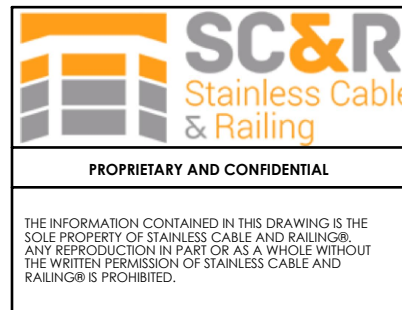
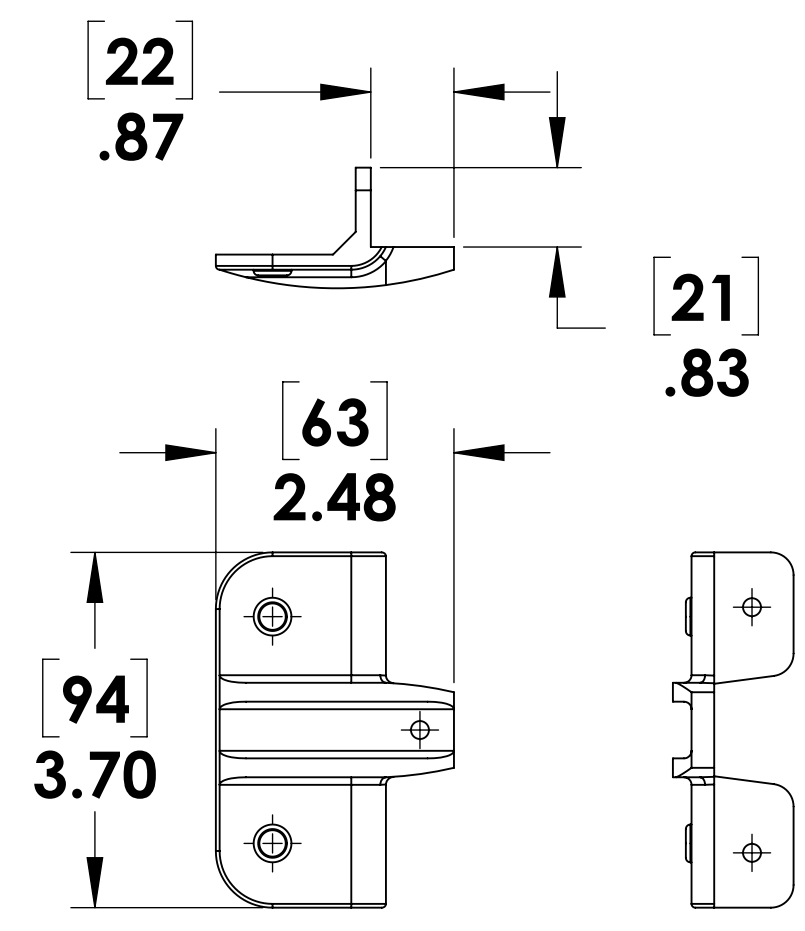
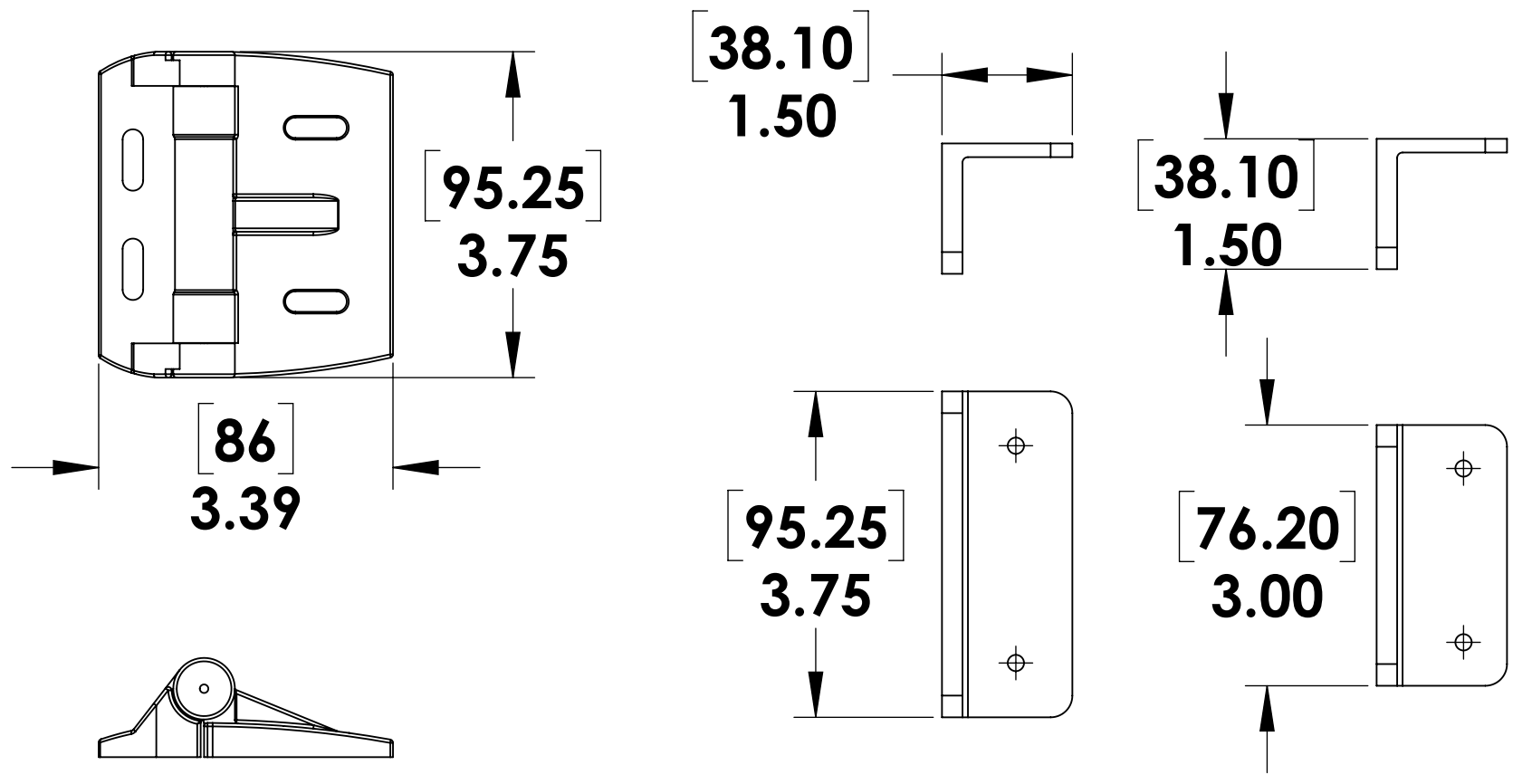
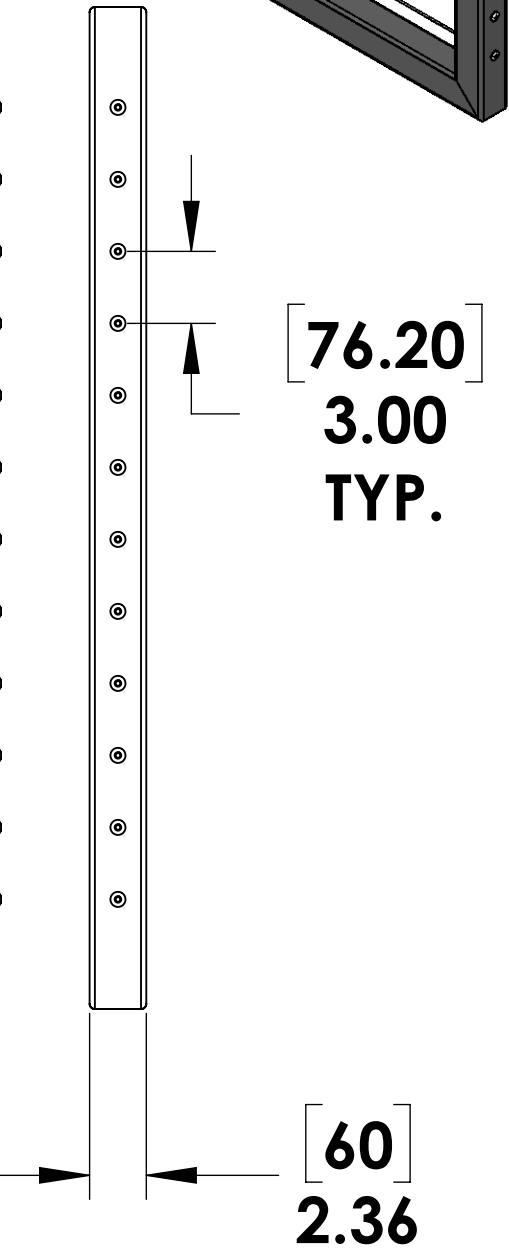
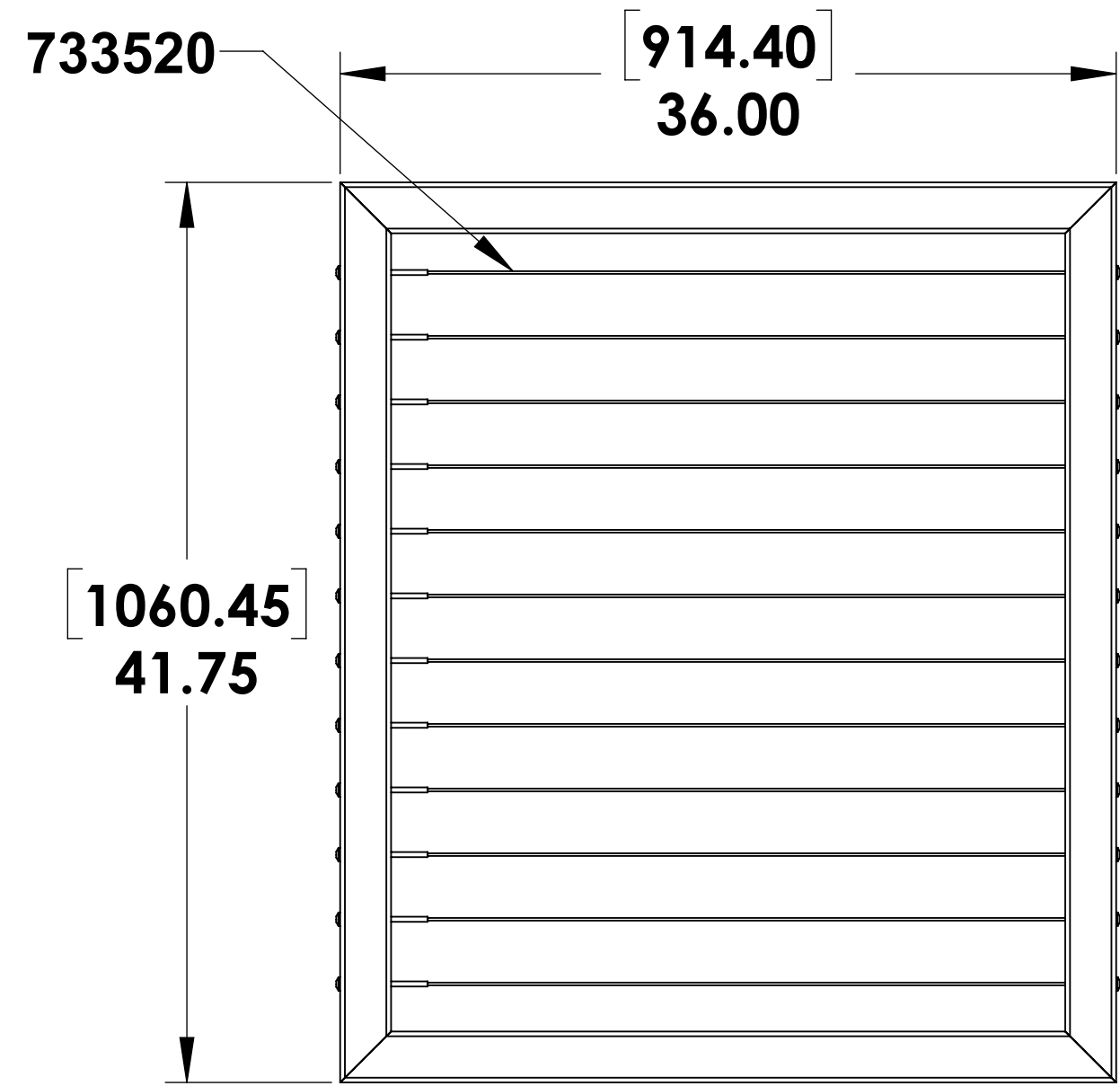
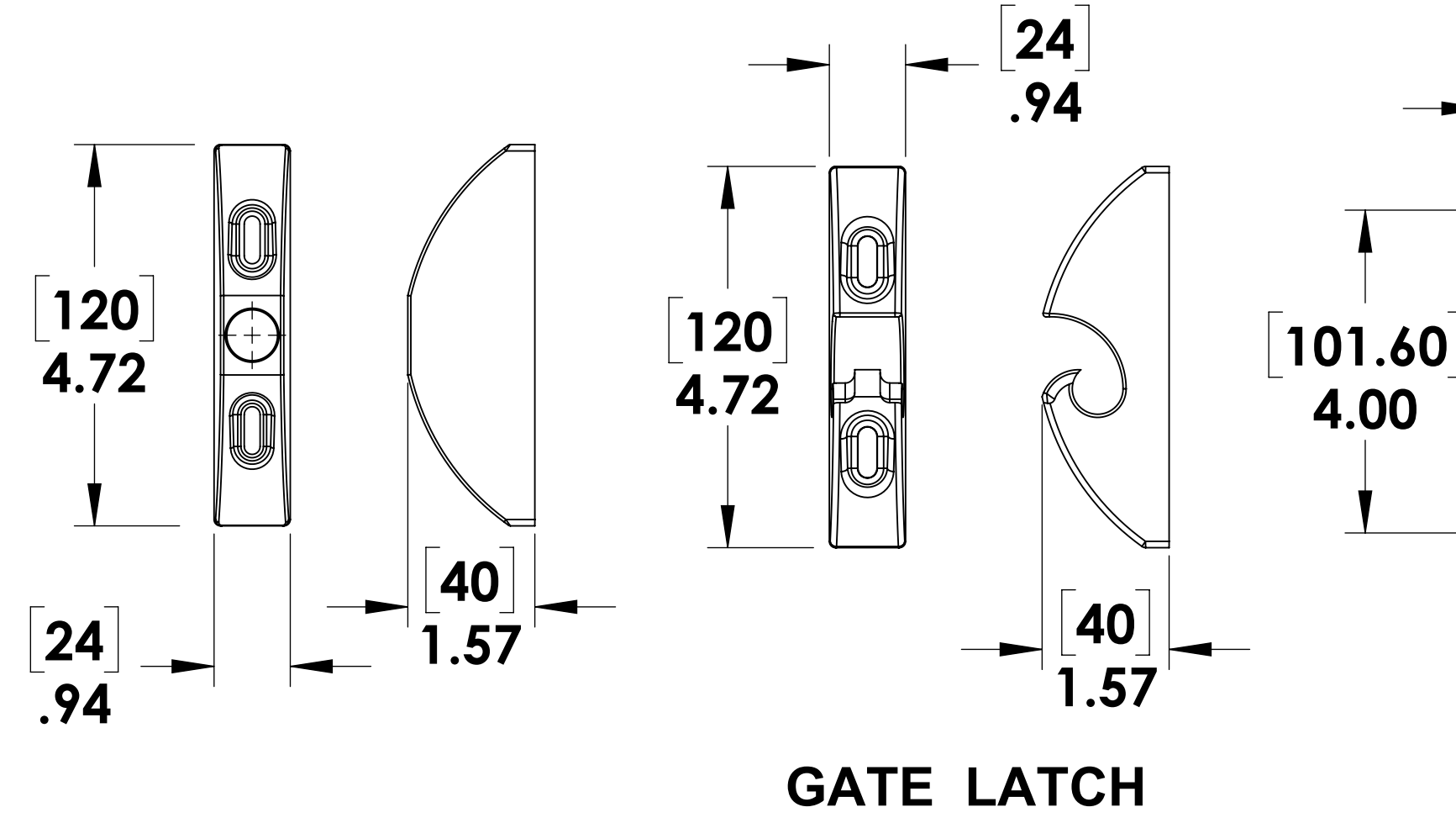
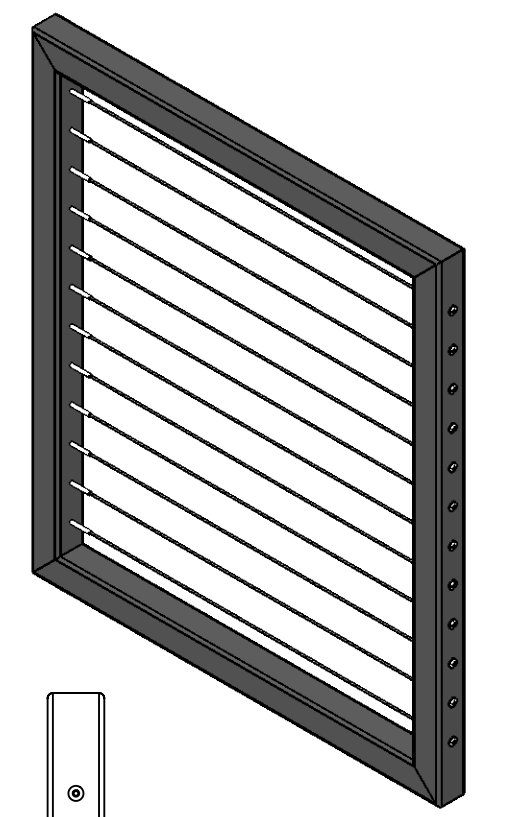


ITEM NO.	PART NUMBER	DESCRIPTION	QTY.
1	CUSTOM GATE FRAME	GATE FRAME SIZE VARIES	1
2	GATE LATCH	GATE LATCH	
3	GATE STOP	GATE STOP	
4	HINGES	HINGES	
5	CABLE	CABLE	



**NOTES:** UNLESS OTHERWISE SPECIFIED

- DUAL DIMENSIONS SHOWN - INCHES [MM].
- MACHINED SURFACES TO BE 63µIN MAX.
- PART TO BE FREE OF BURRS AND SHARP EDGES.
- ALL MATERIAL TO BE CLEAN, DEGREASED AND FREE OF ALL IMPURITIES.
- ANY CHANGE MUST BE AUTHORIZED BY AN SC&R ENGINEER.

DIMENSIONS ARE IN INCHES	FRACTIONAL	±
ANGULAR:	MACH	±
TWO PLACE DECIMAL		±
THREE PLACE DECIMAL		±
MATERIAL:		
FINISH:		

NAME	DATE	TITLE:
SCR	10/23/17	<b>CABLE RAILING GATE - ALUMINUM</b>
DRAWN	ENG APPR.	
MFG APPR.		
COMMENTS:		

SIZE	DWG. NO.	REV
<b>C</b>	<b>984844</b>	<b>01</b>
SCALE: 1:8	WEIGHT:	SHEET 1 OF 1