

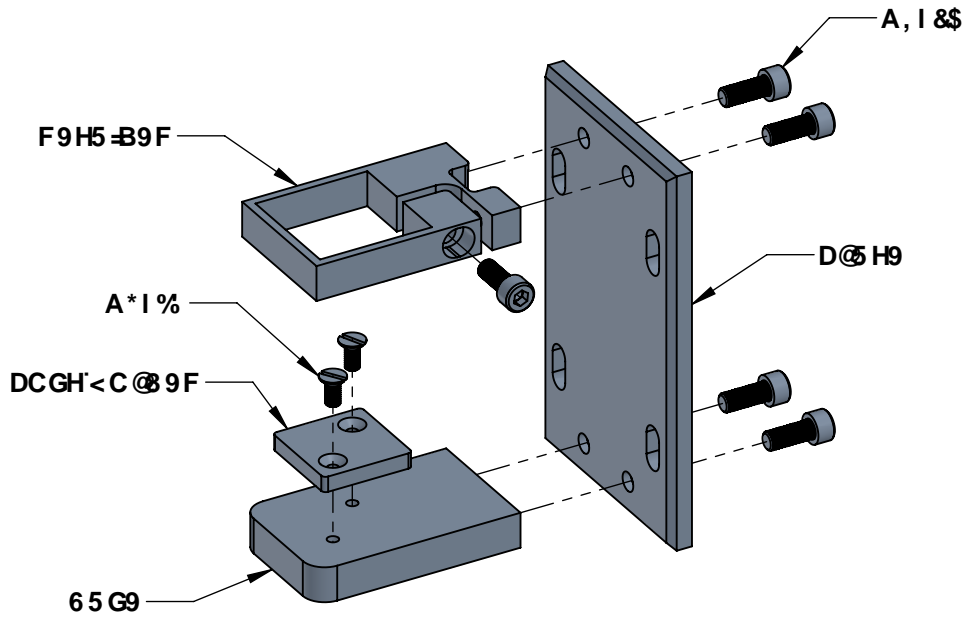
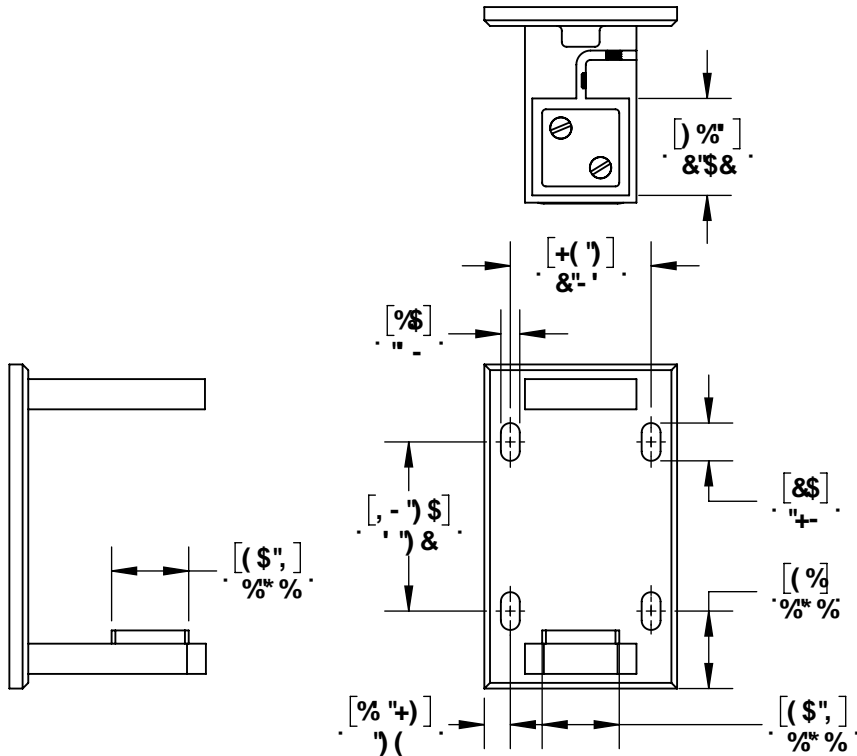
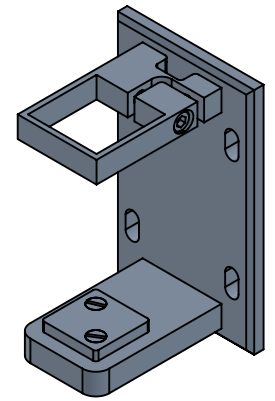
&

%

D5FH'BI A69F	89G7F=DHCB	EHM'
ÚŠŒ/Ò	ÚŠŒ/Ò	F
ÓŒÛÒ	ÓŒÛÒ	F
ÛÒVŒP ÒÛ	ÛÒVŒP ÒÛ	F
ÚUÚVÁPUSÖÖÛ	VÖÜT PŒŠÁÚUÚVÁPUSÖÖÛ	F
TÌŒGE	TÌŒGEŠÖÈ	í
TÌŒFH	TÌŒFHŠÖÈ	G

6

6



5

5



DFC DF-#5 FM5B87CB: -89BH5@
 H: 9 B: CFA 5HCB 7CBH5B98 B H: 68F5K B: 6H: 9
 GC @DFC D9F HMC: GH B @GG 75 @5B8 F5 @B: =
 5BMF 9DFC 81 7HCB B D5FHCF 5G5 K <C @K H: C I H
 H: 9K F H@B D9FA 6GC B C: GH B @GG 75 @5B8
 F5 @B: = 6DFC <6H@B

BC H9G	I B @GGC H: 9FK 69 GD97 ÷ 98	B5A 9	85H9	H H @9
%'8A 9BG<BG5F9 B' B7 <9G A A Q &'A 57 <B98 G F: 57 9GHC '69*' i B' A 5L" *"D5FHHC '69: F99C: '6I FFG5B8' G< 5FD'98: 9G' (* 5 @A 5H9F 5@HC '697 @95BZ 89: F95G98 5B8: F99 C: '5 @A DI F #9G')'5BM7 <5B: 9A I GH695I H: C F #98 6M5B G7 / F 9B: B 99F"	8A 9BGC BG5F9 B' B7 <9G : F57HC B5@.....± 5B: I @F: A 57 <.....± HK C D@5 79897 A 5@'± H: F99D@5 79897 A 5@'±	8F5K B	G7 F	%\$# %%%
A 5H9F 5@	A 5H9F 5@	9B: '5DDF"		
B G<	B G<	A: '5DDF"		
		7 C A A 9BHG		
		GH5 B @GG GH99 @GE I 5F9' : 5G7 5'A C I BH H9FA B5 @DC GH6F57?9H		
		G@9	8K: ""BC"	F9J
		5	- , &&&&	\$%
		G7 5 @. %'	K 9 ÷ <H'	G< 99H% C: %

&

%