

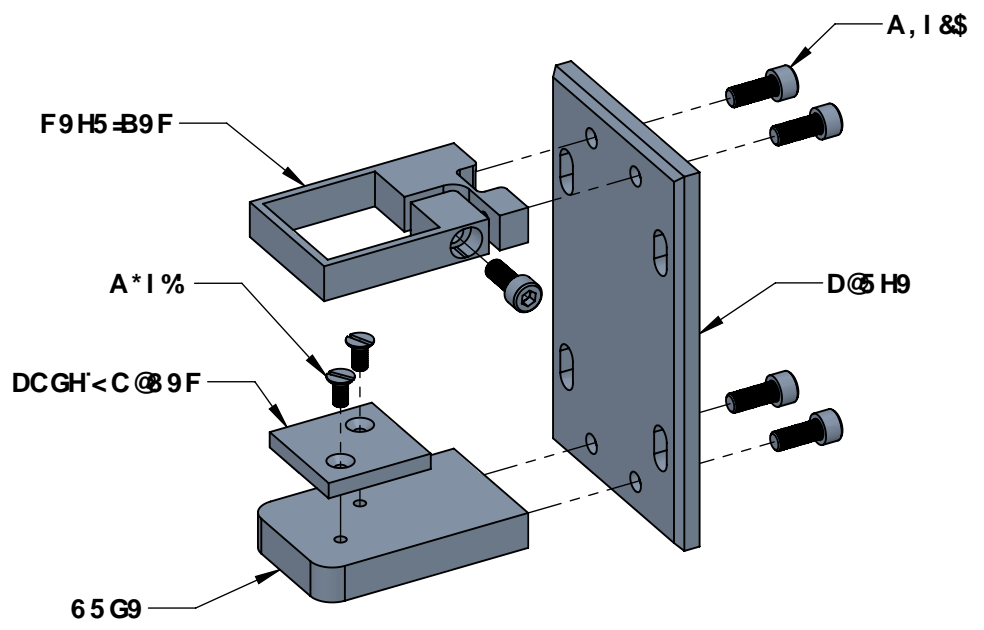
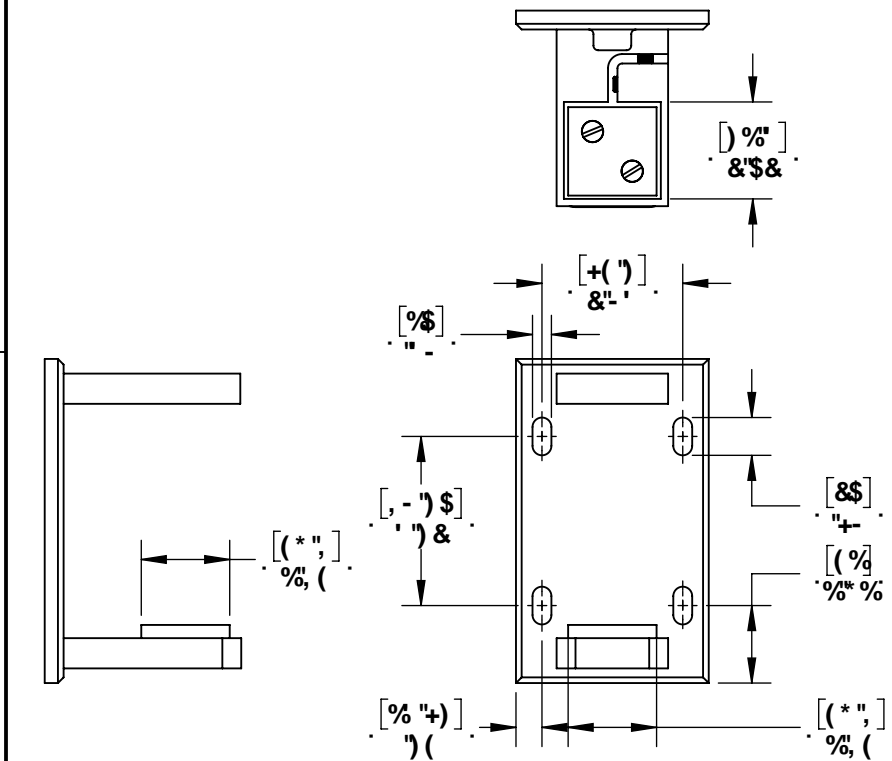
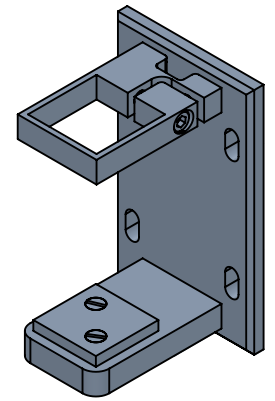
&

%

D5FH'BI A69F	89G7F-DHCB	EHM'
ÚŠŒ/Ò	ÚŠŒ/Ò	F
ÛÒVŒÐ ÒÛ	ÛÒVŒÐ ÒÛ	F
ÓŒËÒ	ÓŒËÒ	F
ÚUÚVÁPUSÖÖÛ	ŒVÖÛT ÖÖŒV/ÓÁÛUÚVÁPUSÖÖÛ	F
Tì çGE	Tì çGEŠÖÈ	í
Tî çFH	Tî çFHŠÖÈ	G

6

6



5

5

**SC&R**  
Stainless Cable  
& Railing

DFC DF-9H5 FM5B8 7CB: -89BH5@

H: 9 B: CFA 5HCB 7CBH5B98 B H: 68F5K B: 6H: 9  
GC @DFC D9FMC: G5 B @GG 75 @5B8 F5 @B: =  
5BMF 9DFC 81 7HC B: B D5FHCF 5G5 K <C @K H: C I H  
H: 9K F: H9B D9FA 6GC B C: G5 B @GG 75 @5B8  
F5 @B: = 6DFC < 6H98

BC H9G	I B @GGC H: 9FK 69 GD97 ÷ 98	B5A 9	85H9
%' 8A 9BG6 BGG<CK B'1'B7 <9GQA A Q &'A 57 <B98 G F: 57 9GHC '69*' i B' A 5L" * "D5FHIC '69: F99C: '6l FFG5B8' G: 5FD'98: 9G' (* 5 @A 5H9F 5 @HC '697 @95BZ 89: F95G98 5B8: F99 C: '5 @A DI F #9G' ) "5BM7 <5B: 9A I GH695I H: C F #98' 6M5B G7 / F 9B: B 99F"	8A 9BGC BG5F9 B: B7 <9G : F57HC B5 @ 5B: I @F: A 57 < HK C D@5 7 9897 A 5 @ H: F99D@5 7 9897 A 5 @ A 5H9F 5 @ : B G<	8F5K B	9B: '5DDF"
			A: '5DDF"
			7CA A 9BHG

H: H @. **G5-B@GGH99@**  
**GE I 5F9: 5G7 5'**  
**ACI BH-BHFA 98-5H9'**  
**DCGH6F57?9H**

GAP	8K; ""BC"	F9J
<b>5</b>	<b>- , &amp;&amp;%</b>	<b>\$%</b>
G7 5 @. %'	K 9 ÷ <H'	G<99H%C: %

&

%