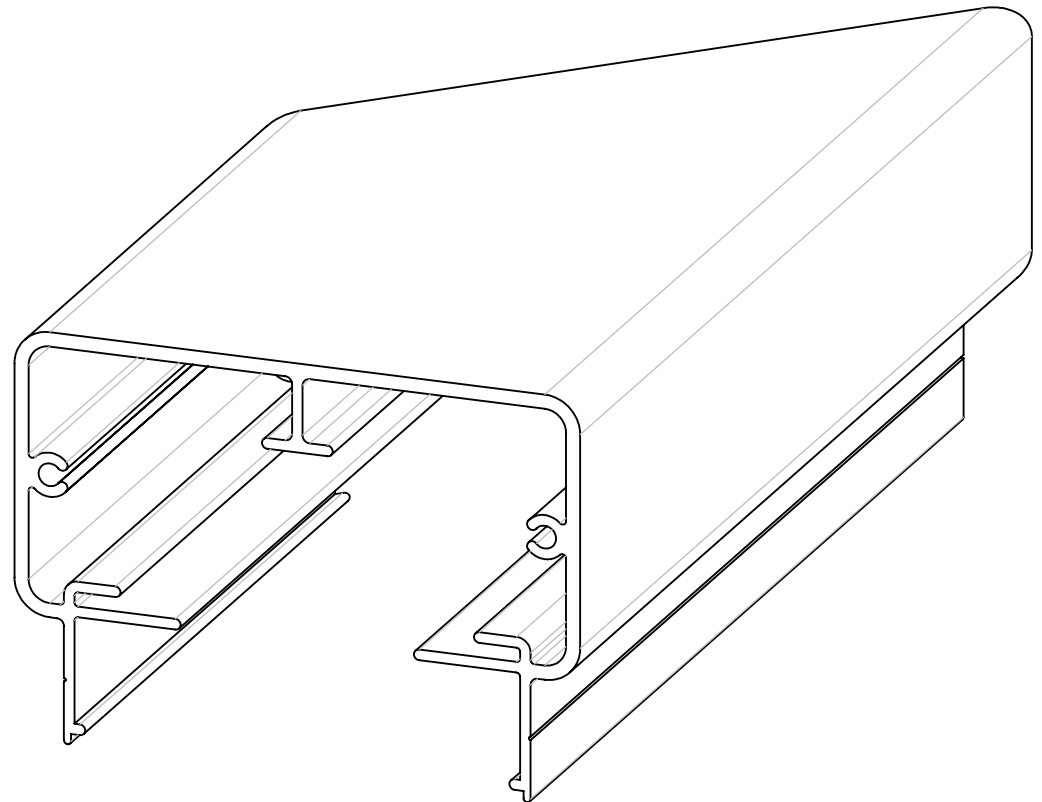


03-004-01 Top Rail



PROPRIETARY AND CONFIDENTIAL
 THE INFORMATION CONTAINED IN THIS DRAWING IS THE SOLE PROPERTY OF STAINLESS CABLE & RAILING, INC. ANY REPRODUCTION IN PART OR AS A WHOLE WITHOUT THE WRITTEN PERMISSION OF STAINLESS CABLE & RAILING, INC. IS PROHIBITED.

		UNLESS OTHERWISE SPECIFIED:		NAME	DATE	Stainless Cable & Railing, Inc.	
		DIMENSIONS ARE IN Millimeters		DRAWN	GM	04/25/08	888-686-7245 (RAIL)
		TOLERANCES: x = 0.1 x.x = 0.1 x.xx = 0.01 x.xxx = 0.005		CHECKED			TITLE:
		INTERPRET GEOMETRIC TOLERANCING PER:		ENG APPR.			Rectangular Top Rail
		MATERIAL		MFG APPR.			SIZE DWG. NO. REV
		6082 T6 Alu		Q.A.			A 03-004-01-90-R PR1
NEXT ASSY	USED ON	FINISH		COMMENTS:		SCALE: 1:2 WEIGHT: SHEET 1 OF 1	
		Powdercoat 6 Mil Min.		Powdercoating to meet or exceed AAMA2604 Salt Spray Resistance			
APPLICATION		DO NOT SCALE DRAWING					