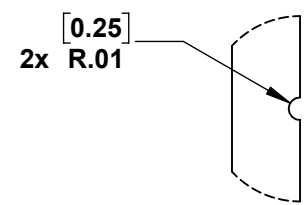
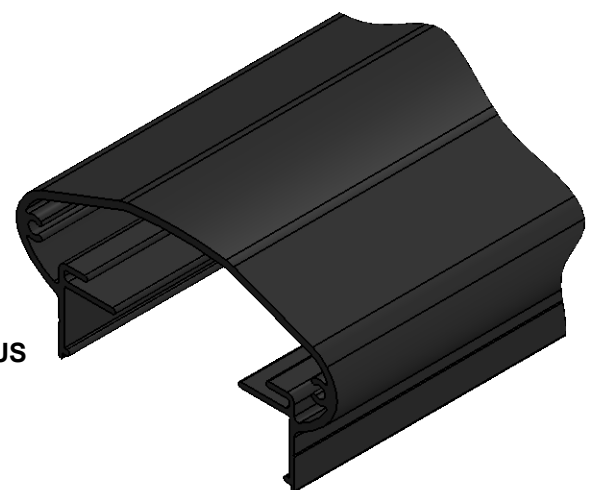
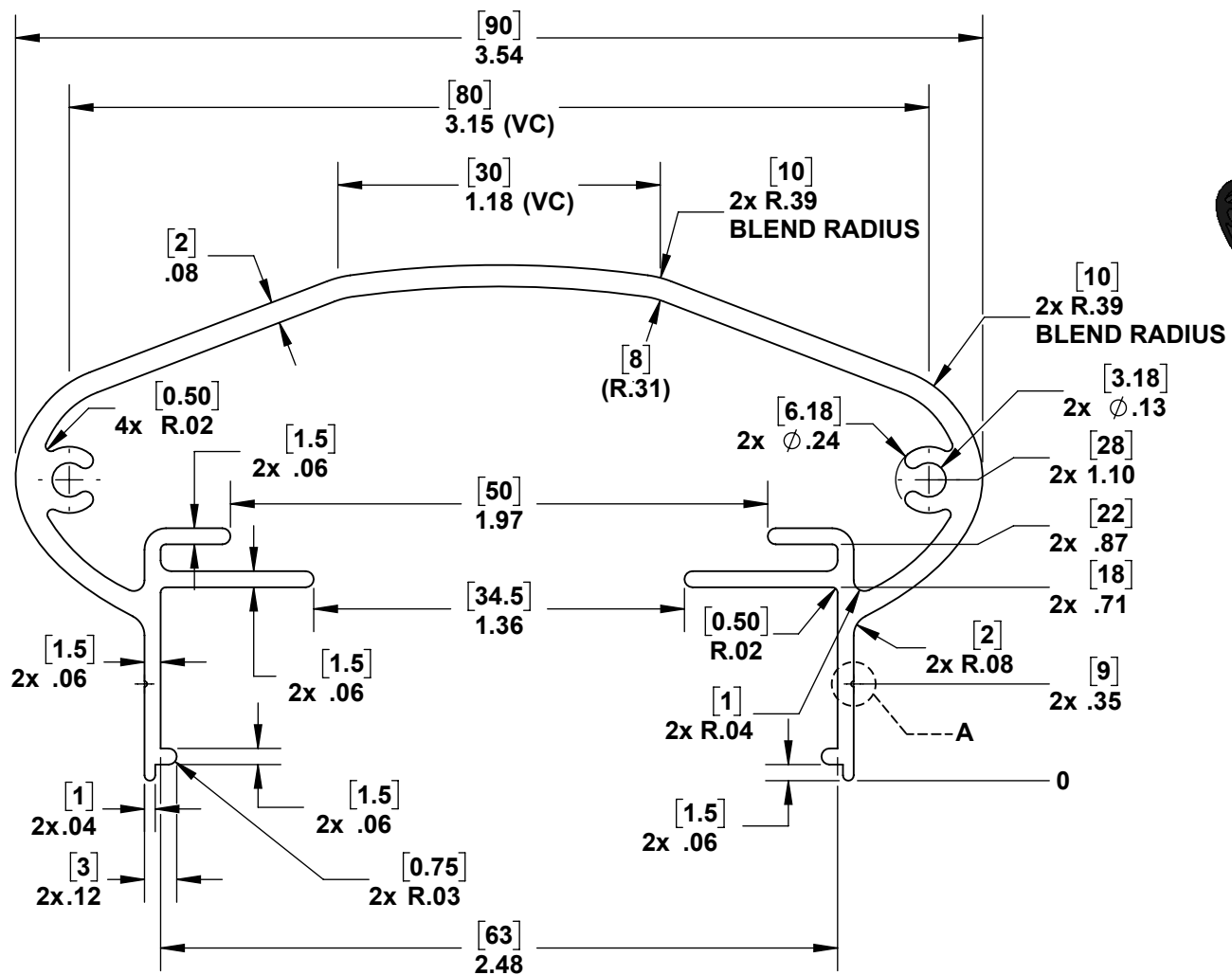


2

1



DETAIL A  
SCALE 6 : 1

BODY DERIVED FROM 90x40 ELLIPSE



PROPRIETARY AND CONFIDENTIAL

THE INFORMATION CONTAINED IN THIS DRAWING IS THE SOLE PROPERTY OF STAINLESS CABLE AND RAILING®. ANY REPRODUCTION IN PART OR AS A WHOLE WITHOUT THE WRITTEN PERMISSION OF STAINLESS CABLE AND RAILING® IS PROHIBITED.

NOTES: UNLESS OTHERWISE SPECIFIED		NAME	DATE	TITLE:	
1. DIMENSIONS SHOWN - INCHES [MM]. 2. MACHINED SURFACES TO BE 63µIN MAX. 3. PART TO BE FREE OF BURRS AND SHARP EDGES. 4. ALL MATERIAL TO BE CLEAN, DEGREASED AND FREE OF ALL IMPURITIES. 5. ANY CHANGE MUST BE AUTHORIZED BY AN SC&R ENGINEER.	DIMENSIONS ARE IN INCHES	SCR	10/23/17	<b>ELLIPTICAL TOP RAIL</b>	
	FRACTIONAL ±				
	ANGULAR: MACH ±				
	TWO PLACE DECIMAL ±				
	THREE PLACE DECIMAL ±				
MATERIAL	6082 T6 ALU	COMMENTS:		SIZE	DWG. NO.
FINISH	POWDERCOAT 6 MIL MIN.	POWDERCOATING TO MEET OR EXCEED AAMA2604 SALT SPRAY RESISTANCE		<b>A</b>	<b>730048</b>
				SCALE: 3:2	WEIGHT:
					REV
					<b>01</b>
					SHEET 1 OF 1

2

1