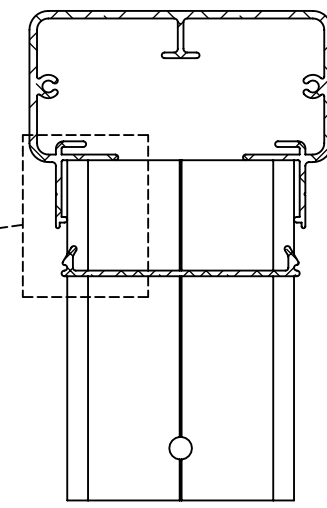
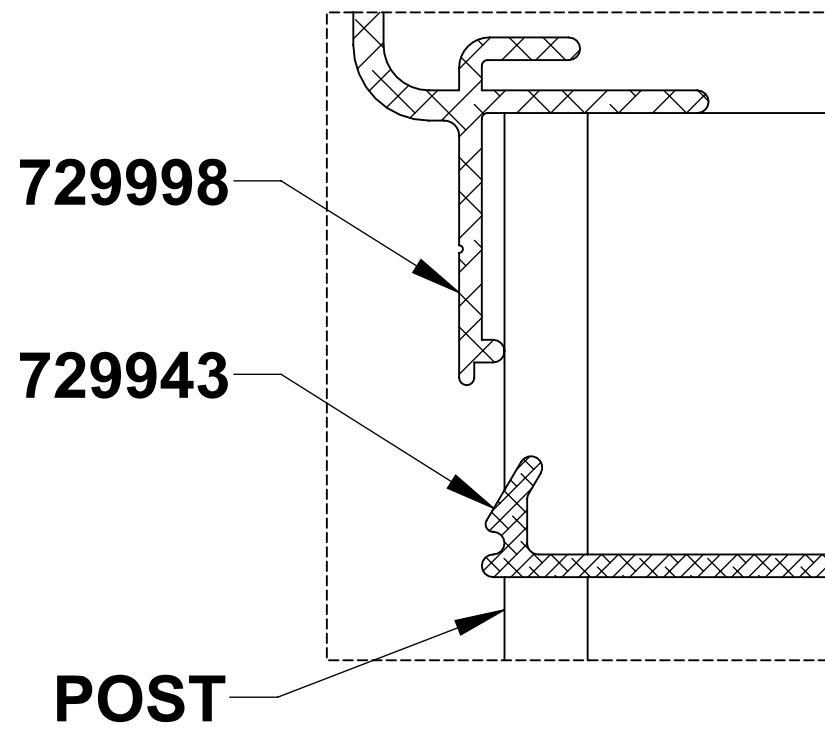
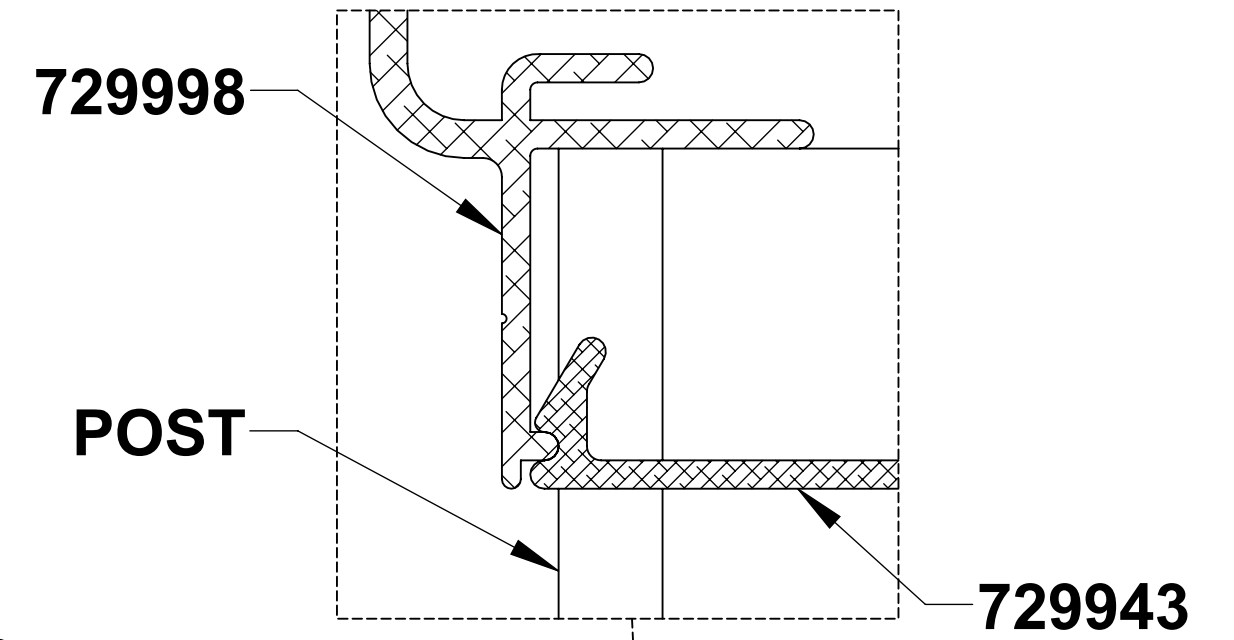
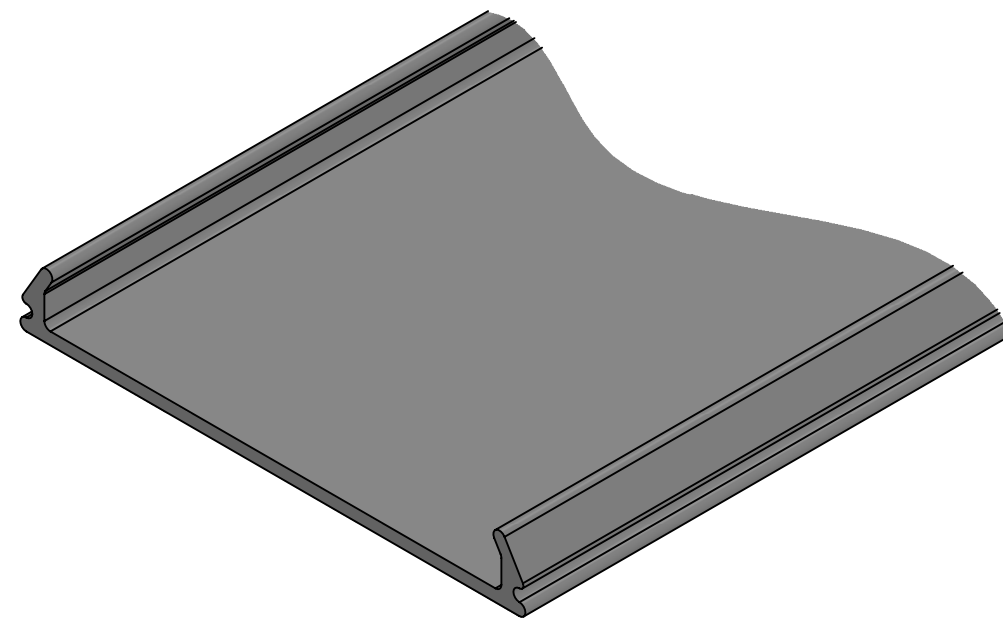
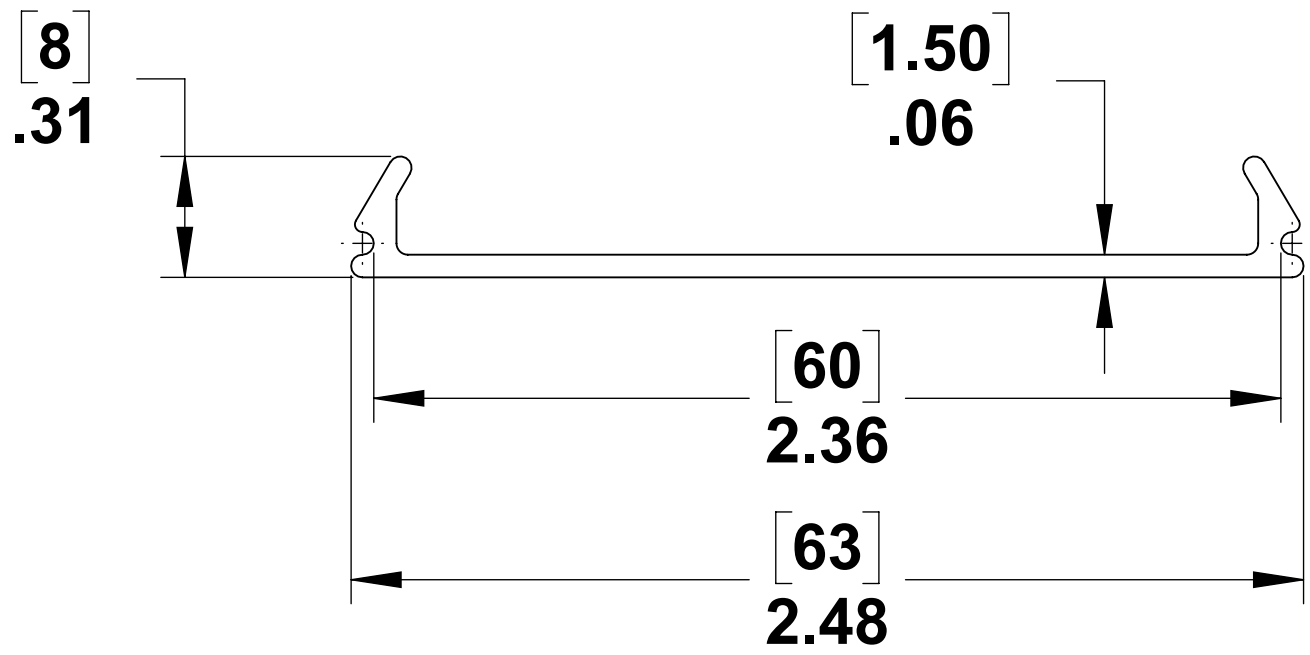


4

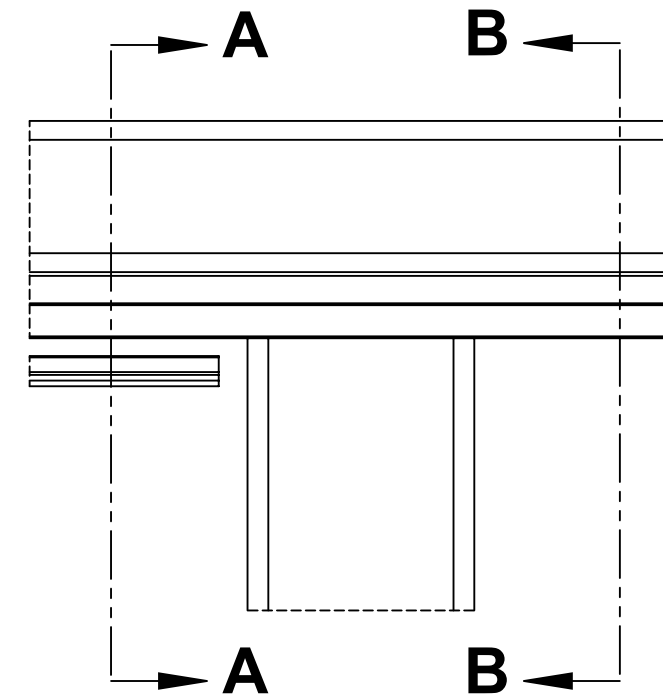
3

2

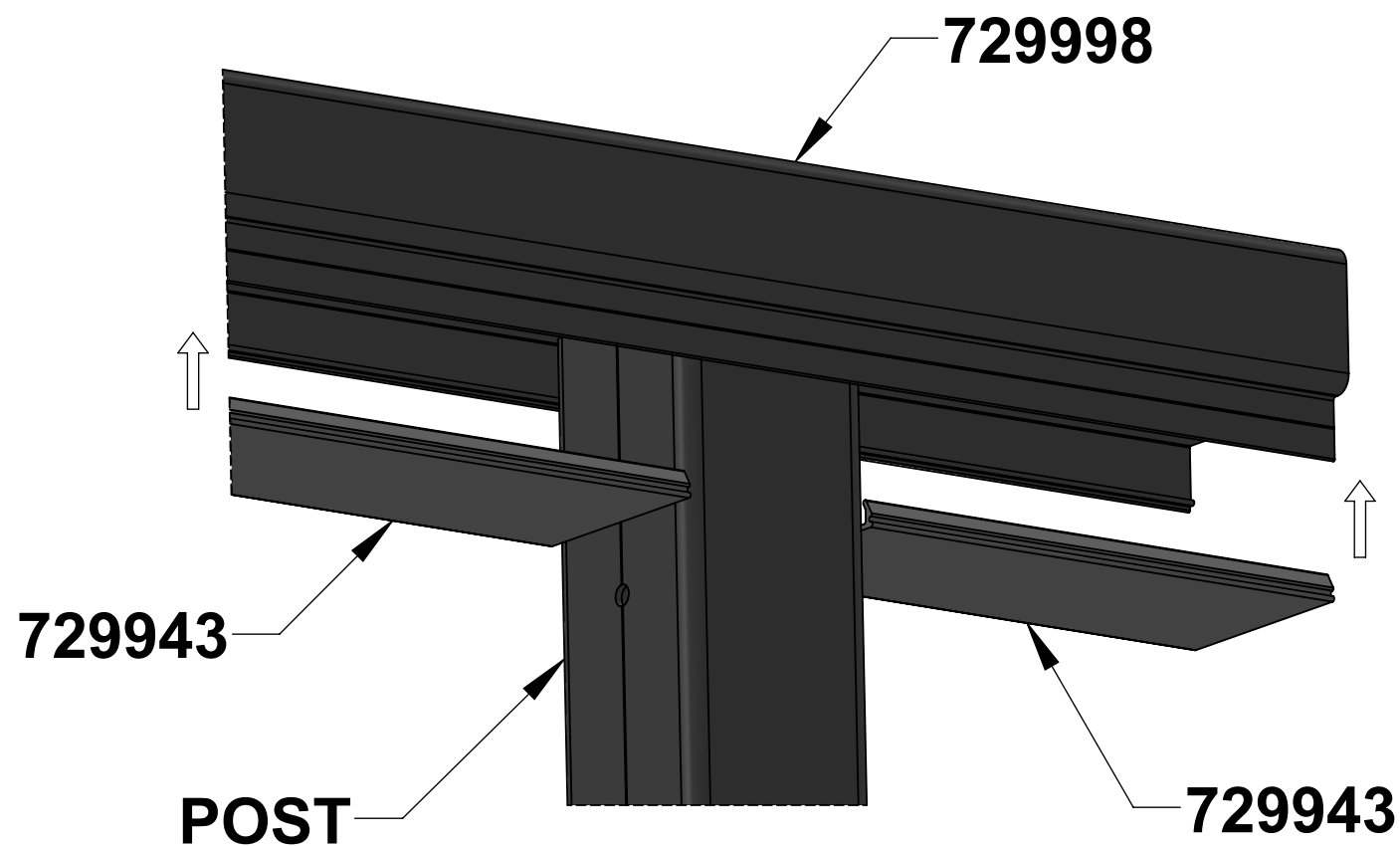
1



DURING INSTALLATION



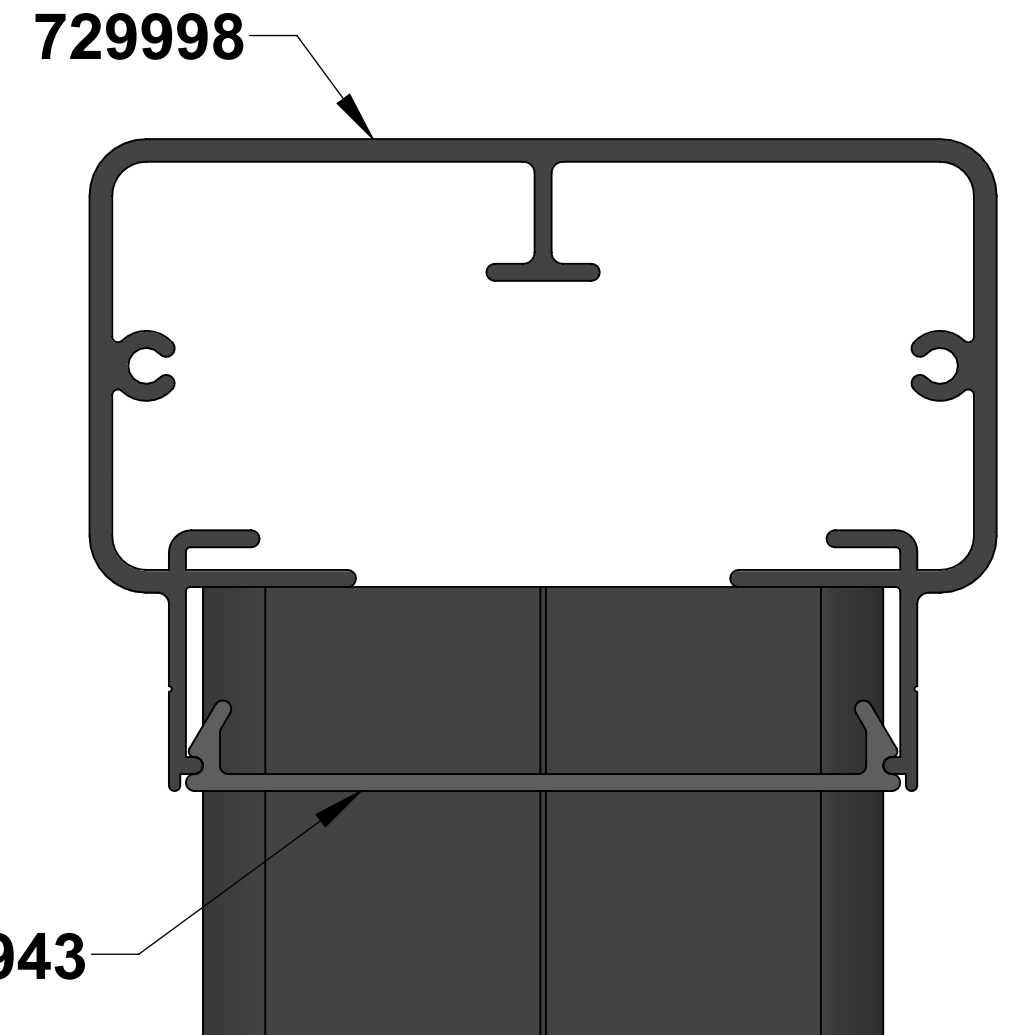
AFTER INSTALLATION



729943 INSTALLATION



AFTER INSTALLATION



↑ = DIRECTION OF SNAP COVER TO FIT INTO TOP RAIL



PROPRIETARY AND CONFIDENTIAL

THE INFORMATION CONTAINED IN THIS DRAWING IS THE SOLE PROPERTY OF STAINLESS CABLE AND RAILING. ANY REPRODUCTION IN PART OR AS A WHOLE WITHOUT THE WRITTEN PERMISSION OF STAINLESS CABLE AND RAILING IS PROHIBITED.

NOTES: UNLESS OTHERWISE SPECIFIED

1. DUAL DIMENSIONS SHOWN - INCHES [MM].
2. MACHINED SURFACES TO BE 63µIN MAX.
3. PART TO BE FREE OF BURRS AND SHARP EDGES.
4. ALL MATERIAL TO BE CLEAN, DEGREASED AND FREE OF ALL IMPURITIES.
5. ANY CHANGE MUST BE AUTHORIZED BY AN SC&R ENGINEER.

DIMENSIONS ARE IN INCHES	
FRACTIONAL	±
ANGULAR: MACH	±
TWO PLACE DECIMAL	±
THREE PLACE DECIMAL	±
MATERIAL	6082 T6 ALU
FINISH	

DRAWN	NAME	DATE
ENG APPR.	SCR	06/12/18
MFG APPR.		
COMMENTS:		
POWDERCOATING TO MEET OR EXCEED AAMA2604 SALT SPRAY RESISTANCE		

TITLE:		
<b>TOP RAIL SNAP COVER</b>		
SIZE	DWG. NO.	REV
<b>C</b>	<b>729943</b>	<b>01</b>
SCALE: 2:1	WEIGHT:	SHEET 1 OF 1

4

3

2

1

D

C

B

A