

(

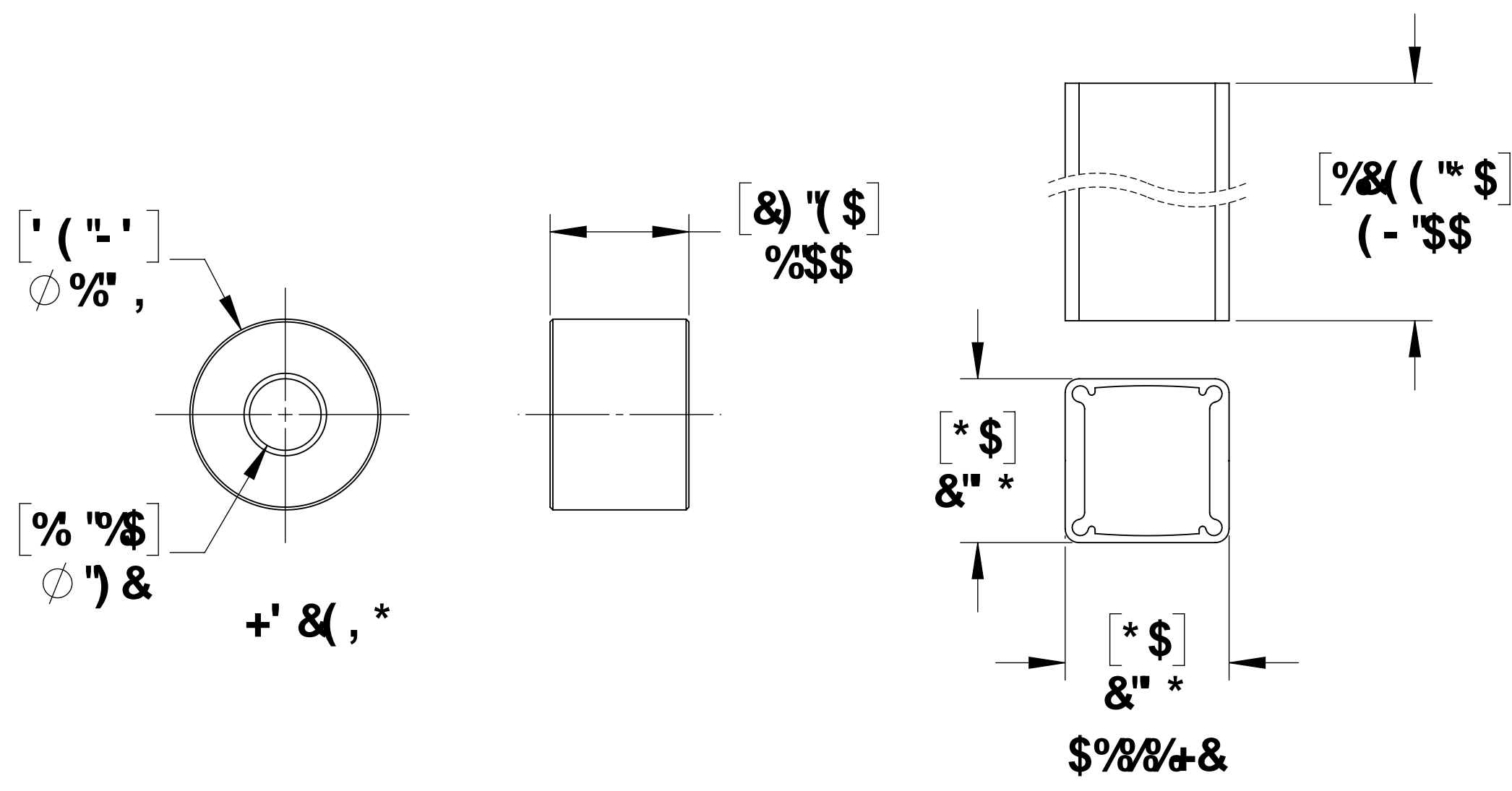
&

%

#9A 'BC"	D5 FH'BI A69F	89G7F-DHCB	EHM'
F	€FFĪ G	VÒÜT Ø œŠÁU ÙVÁÖÜ ŠSÒÖÁ J	F
G	Ī HG Ī Ī	ÙVœ ÒU ØZÁÚœÒÜ	G
H	JJ€GGĪ	ÖÒÔU ÜœVœÀP Ø ÕÒÖÁÛÔÜÒY ÁÛUXÒÜÁÛUÜÁ HĐ ÁŠœĪJÓÜÖY Û	G
I	JĪĪĪĪ	ÚUÙVÁ ÒYÁÓUŠVÁœVœÛPT ÒP VÁPœÛÖY œÛÒ	G

8

8



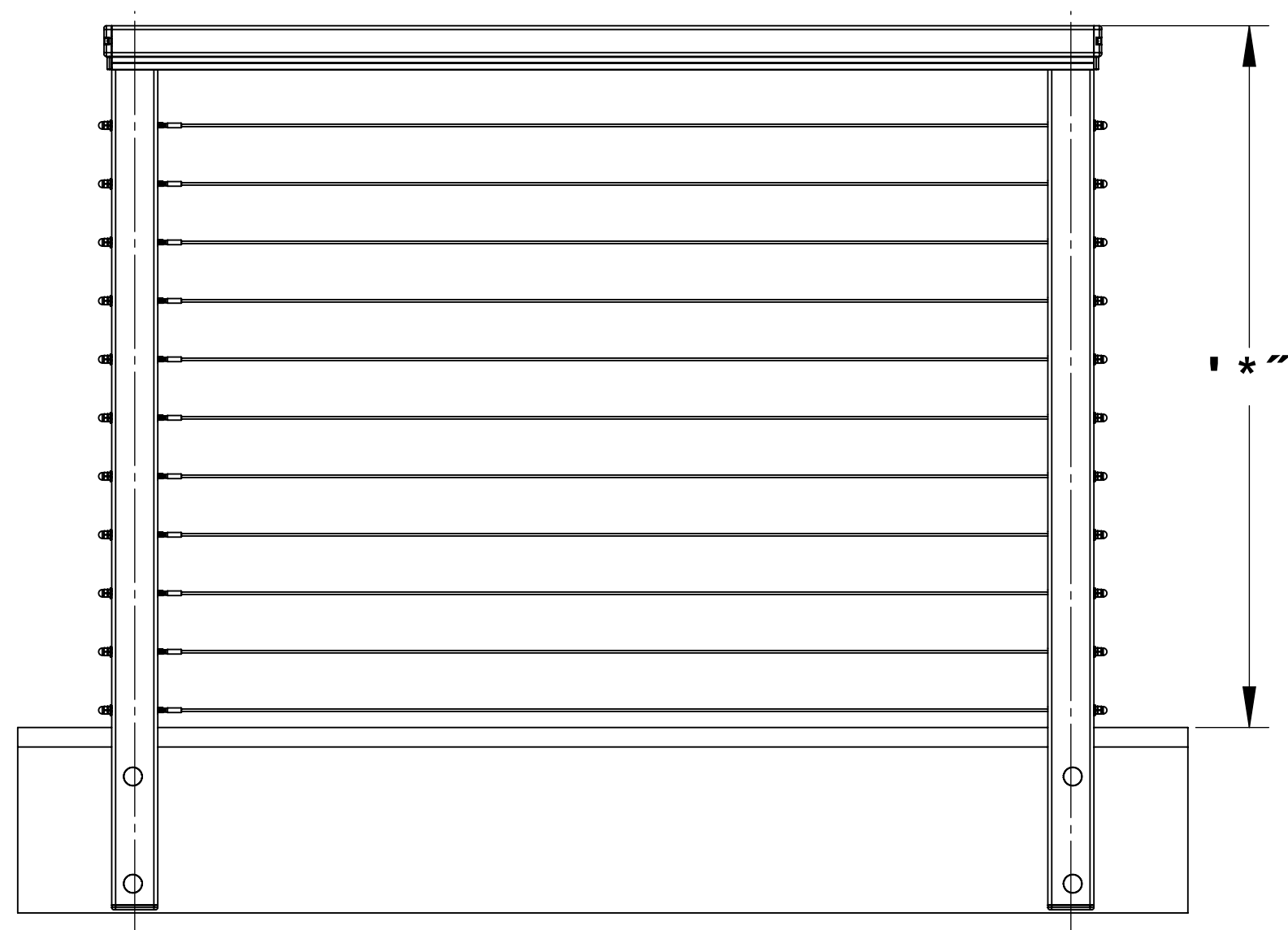
7

7



6

6



5

5

5 GG9 A 6 @M-BGH5 @G HCB

	BC HG	I B@GGCH-9FK 49 GD97 ± 98	B5A 9	8519	HH@9		
	<small> %81 5 @8A 9BGG BGG-CK B1" B7-9C@A A Q &A 57 < B98 Q F: 57 9GHC 69" i B A 5L" --D5FHHC 69: F99C: 6I FFG5B8 G: 5FD98: 9G (*5 @8A 5H@F 5@C: 697 @9BZ 89: F95G98 5B8: F99 C: 5@8A DI FH9C *) 5BM7 < 5B: 9A I G16951 H: CF N98 6M5B G7 / F 98: 899" </small>	<small> 8A 9BGC BG5F9 B B7 < 9G : F57HC B5@ 5B: I @6F A 57 < HK C D@57 9897 A 5@ H: F99 D@57 9897 A 5@ A 5HF 6@ </small>	<small> 8F5KB 9B: 5D0F* A: 5D0F* 7CA A 98HG </small>	<small> \$8@8' #% 5D0F* </small>		<small> : 5G7 5'A CI BH' H@FA B5@ </small>	
<small> DFCDF 465FM588 7CB: @9BH5@ H: 9 @: CFA SHC B 7C B16 @98 @ H: 6BF5K @: 6H-9 G: @9CFC D@H@: 0@: @9C@7 5@9 5B8 F5 @8: * 5BM90C B1 7@C B 8 D5FHCF 5G5 K < C@8K H: C1 H H: 9K F 4H8 D@FA 4@C B C: 0@: @9C@7 5@9 5B8 F5 @8: * GDFC < 4H8" </small>					<small> GNP 7 </small>	<small> 8K ; "BC" +&- , ((</small>	<small> F9J \$% </small>
					<small> G7 5 @9 % , K 9@ < H G < 99H% C : % </small>		

(

&

%