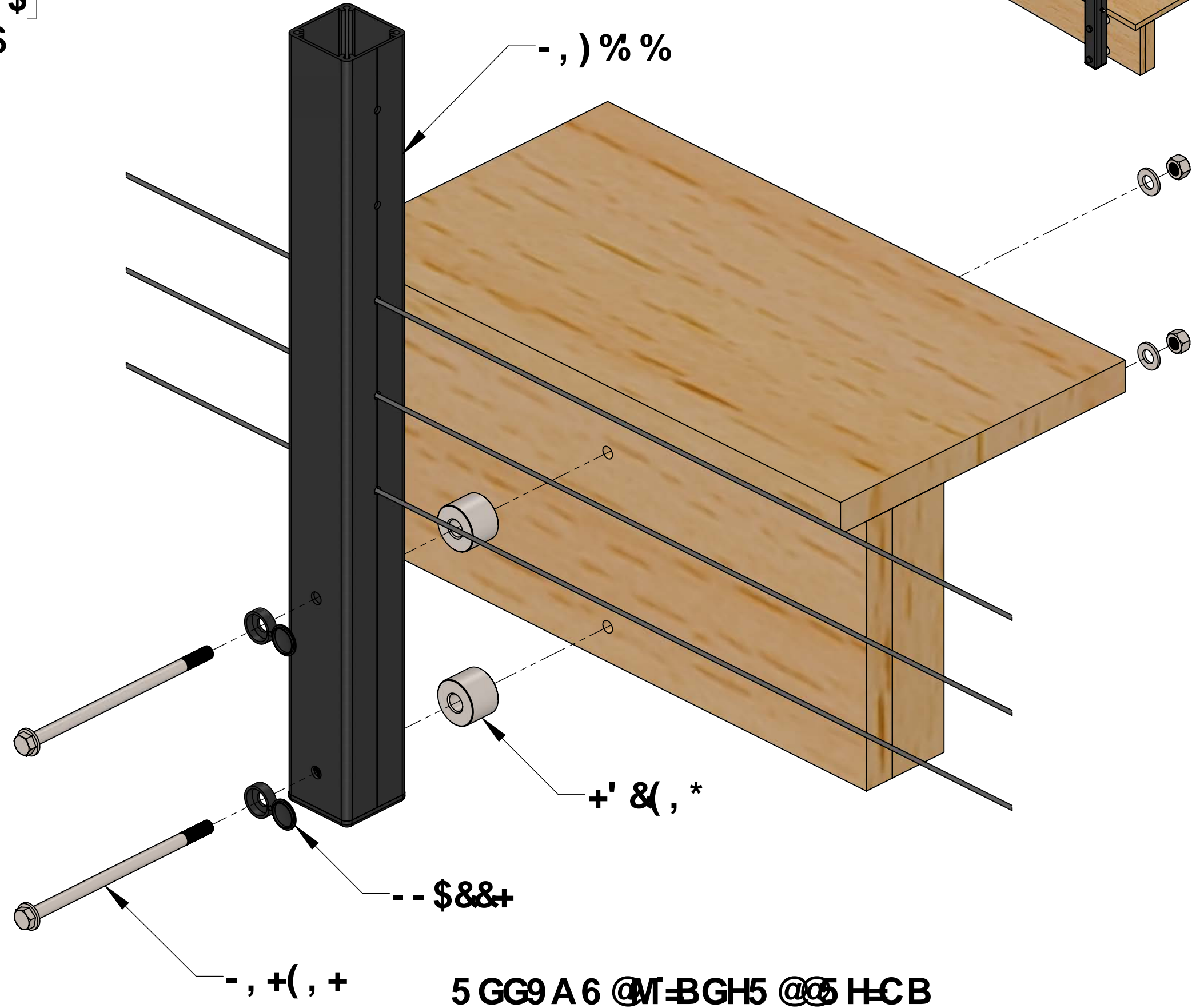
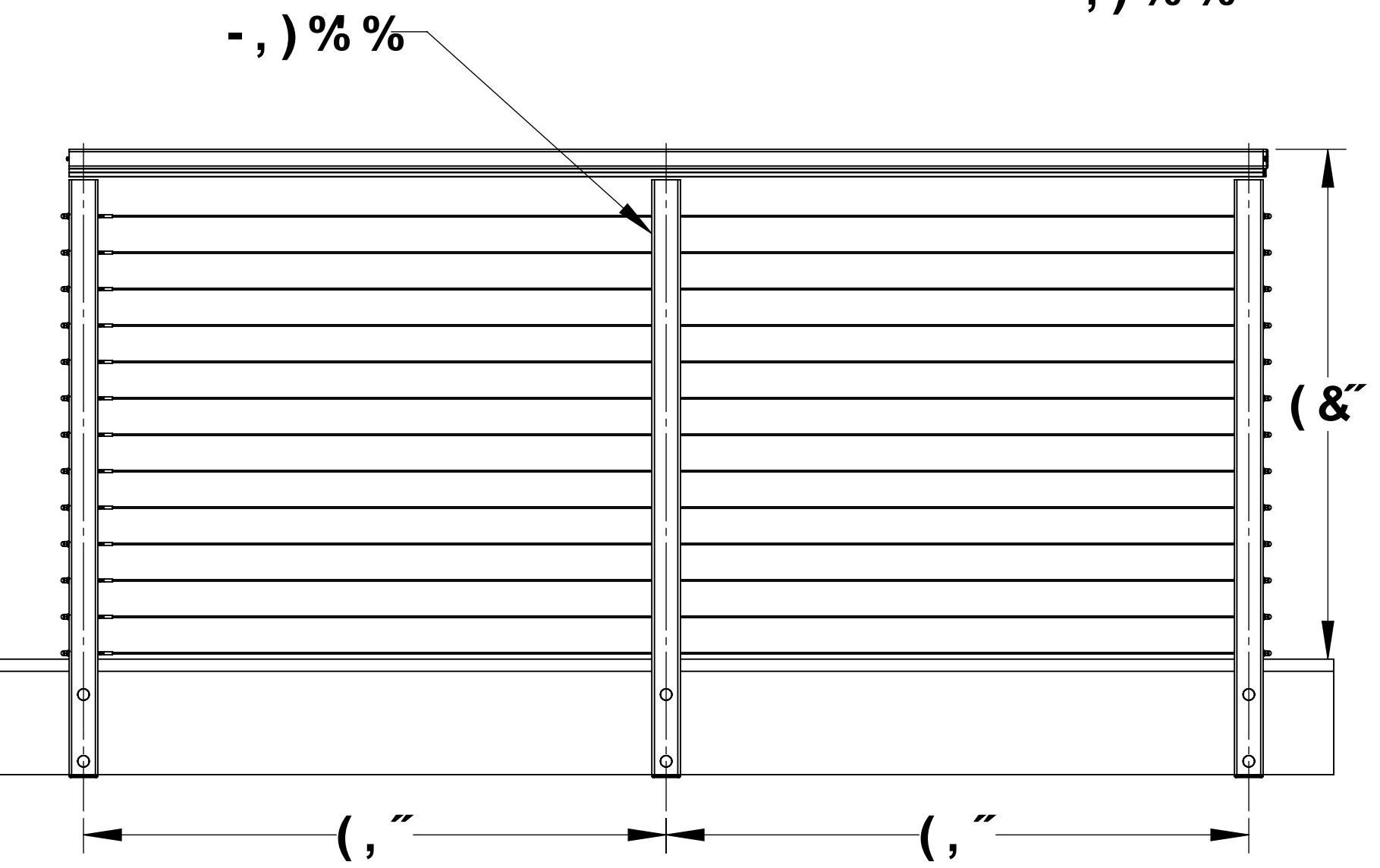
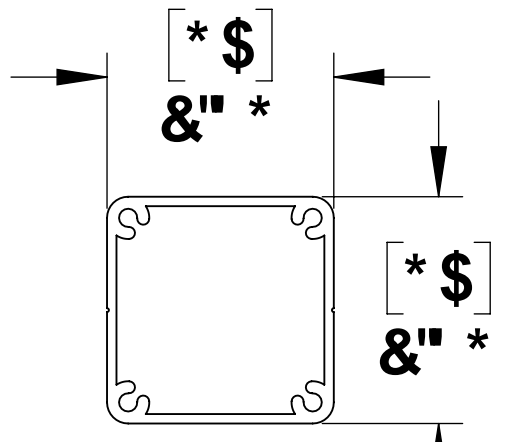
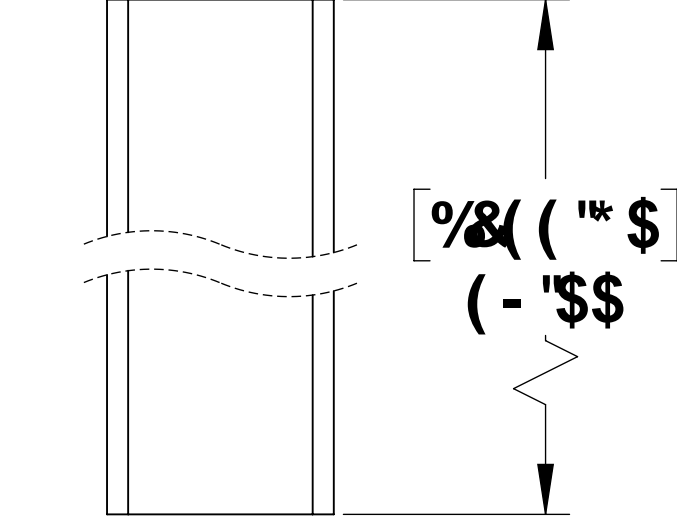
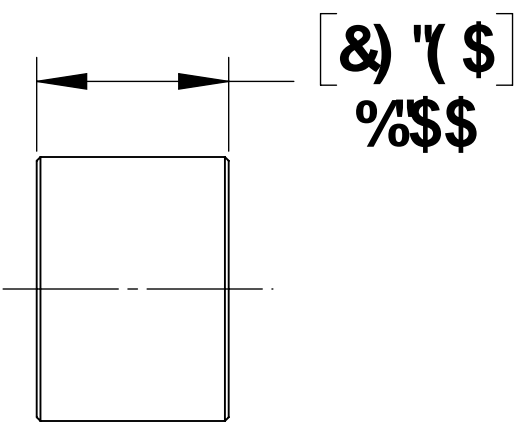
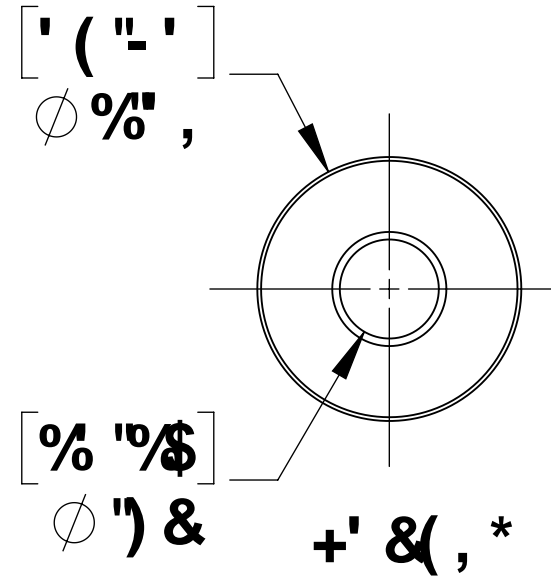
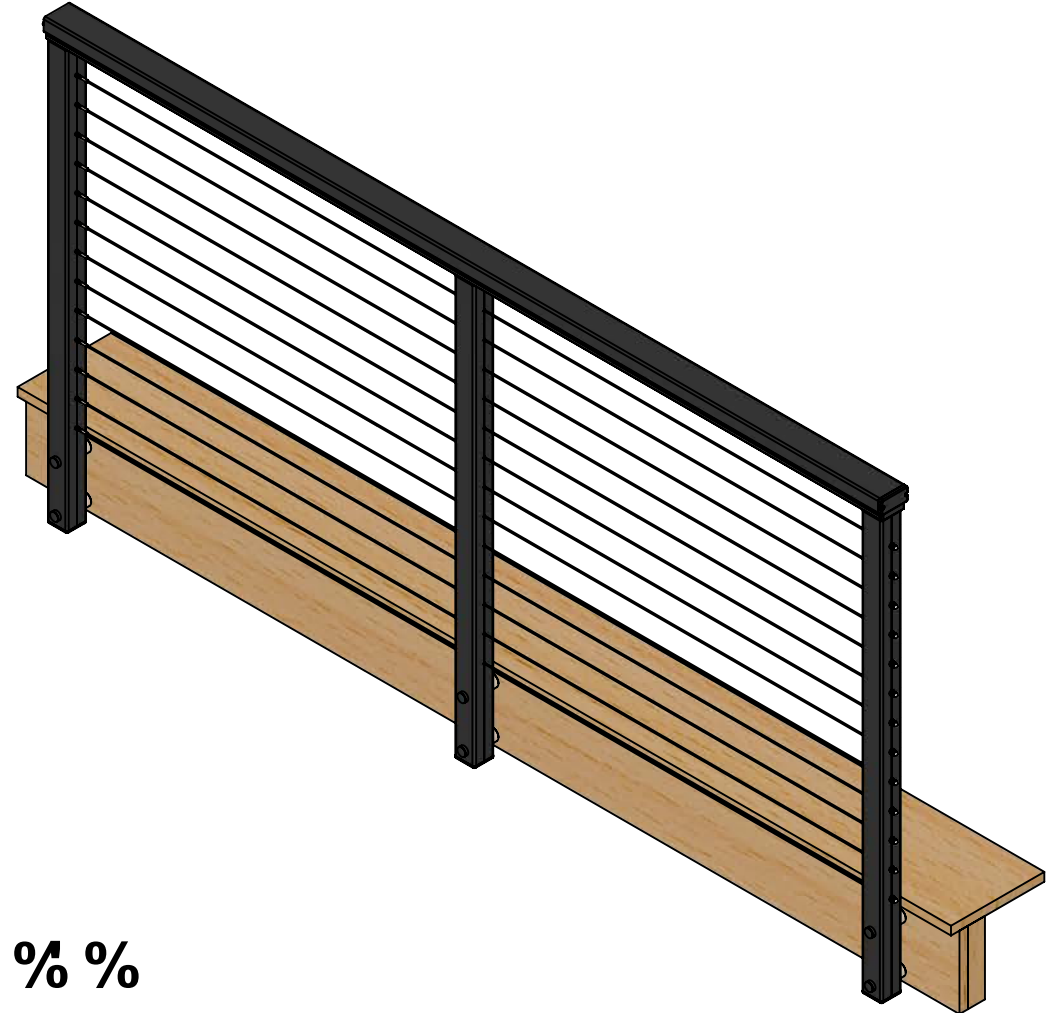


#19 A 'BC"	D5 FH'BI A 69 F	8 9 G7 F -DH-CB	E HM'
F	Jì í FHF	ØØËÔØÉØ VÒÛT ÒÖØÈ/ÒÁJU ÛV	F
G	ï HG ì î	ÙVØË ÒUØØÁÚØØÒÛ	G
H	JJ€GGï	ÖÖÛUÛØÈ/ØØÁØØ ØÖÖÁJÛÛÛÛÛ ÁÛXÛÛÁÛUÛÁ HØ ÁØØÁÛÛÛÛÛ Û	G
I	Jì ì ì ì	ÚU ÛVÁØÛÁÛ ØVØËØPT ÒØVÁØØÛÛÛÛÛ	G



5 GG9 A 6 @M-BGH5 @G H-CB

SC&R Stainless Cable & Railing		BC HG 1 B@GGCH-9FK 49 GD97 4 98			B5A 9 8519		H489		
1/2" 5 @ 9 A 98 G6 BGG-CK B1"	8 A 98 G6 B G5 F9 B 87 < 9G	8F5K B	G7 F	S&M# #%	: 5G7 -5 A C I B H'				
3/4" 5 < 8 98 A Q	5 B: 1 @ F A 57 < "	9B: 5 DDF"			B H F A 98-519				
A 5 L"	H K C D 6 5 7 9 8 9 7 A 5 @ "	A: 5 DDF"							
- D5 FHC 69: F99C: 6I FFG5B8	H: F99 D 6 5 7 9 8 9 7 A 5 @ "	7 C A A 98 HG							
G: 5 F D 98: 9G	A 5 H F 6 @								
(* 5 @ 9 A 5 H F 5 @ H C 6 9 7 @ 9 5 B Z									
8 9: F 9 5 G 9 8 5 B 8: F 9 9									
C: 5 @ 9 A D I F H 9 G									
*) 5 B M 7 < 5 B: 9 A I G H 6 9 5 1 H: C F N 8									
6 M 5 B G 7 / F 9 8: 8 9 9 F									
H: 9 4: C F A 5 H C B 7 C B 6 4 9 8 @ H: 6 B F 5 K @: 6 H 9									
G: @ P D C D E H M J: 0 6 @ 9 9 5 7 5 @ 9 5 8 F 5 @ 9: *									
5 B M 9 9 C 8 1 7 4 6 B 8 D 5 F H C F 5 6 5 K < @ P H: C I H									
H 9 K F 4 H 8 D 9 A 4 4 4 B C: 0 6 @ 9 9 5 7 5 @ 9 5 8 F 5 @ 9									
F 5 4 8: 6 D F C < 4 H 8"									
								G 7 5 @ 9 % , K 9 > < H' G < 9 9 H % C: %	

7 8K ; " BC" + & + ( ) \$ %