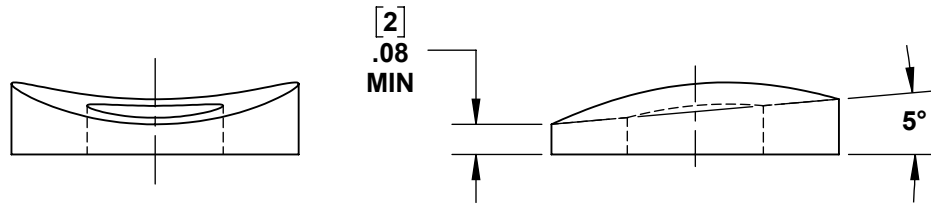
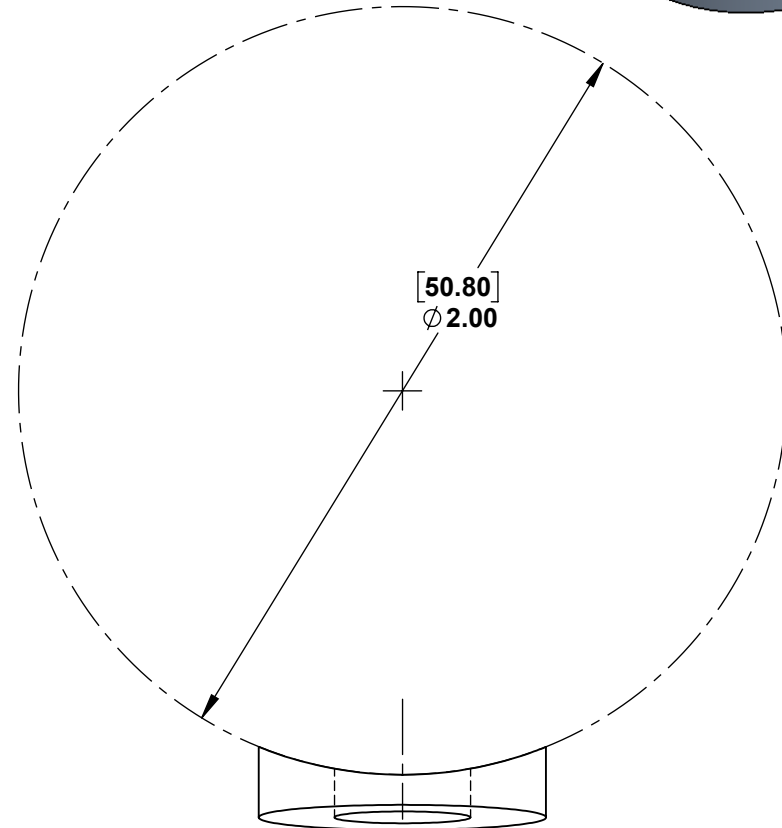
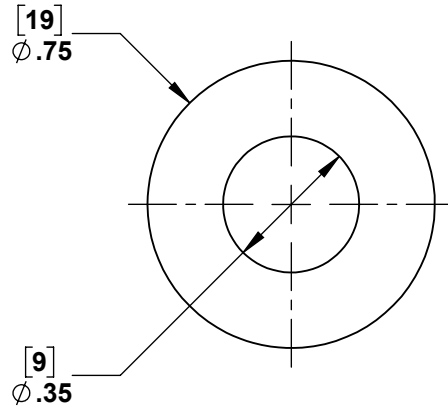
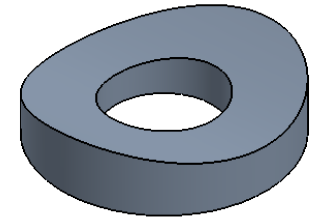


2

1

B

B



A

A



PROPRIETARY AND CONFIDENTIAL

THE INFORMATION CONTAINED IN THIS DRAWING IS THE SOLE PROPERTY OF STAINLESS CABLE AND RAILING®. ANY REPRODUCTION IN PART OR AS A WHOLE WITHOUT THE WRITTEN PERMISSION OF STAINLESS CABLE AND RAILING® IS PROHIBITED.

NOTES: UNLESS OTHERWISE SPECIFIED

1. DIMENSIONS SHOWN - INCHES [MM].
2. MACHINED SURFACES TO BE $63\mu\text{IN}$ MAX.
3. PART TO BE FREE OF BURRS AND SHARP EDGES.
4. ALL MATERIAL TO BE CLEAN, DEGREASED AND FREE OF ALL IMPURITIES.
5. ANY CHANGE MUST BE AUTHORIZED BY AN SC&R ENGINEER.

DIMENSIONS ARE IN INCHES
 FRACTIONAL \pm
 ANGULAR: MACH \pm
 TWO PLACE DECIMAL \pm
 THREE PLACE DECIMAL \pm

MATERIAL 316 SS

FINISH

NAME DATE

DRAWN SCR 08/16/18
 ENG APPR.
 MFG APPR.

COMMENTS:

TITLE:

5° CONCAVE TAPERED 8MM WASHER

SIZE A	DWG. NO. 014142	REV 01
------------------	---------------------------	------------------

SCALE: 2:1	WEIGHT:	SHEET 1 OF 1
------------	---------	--------------

2

1