

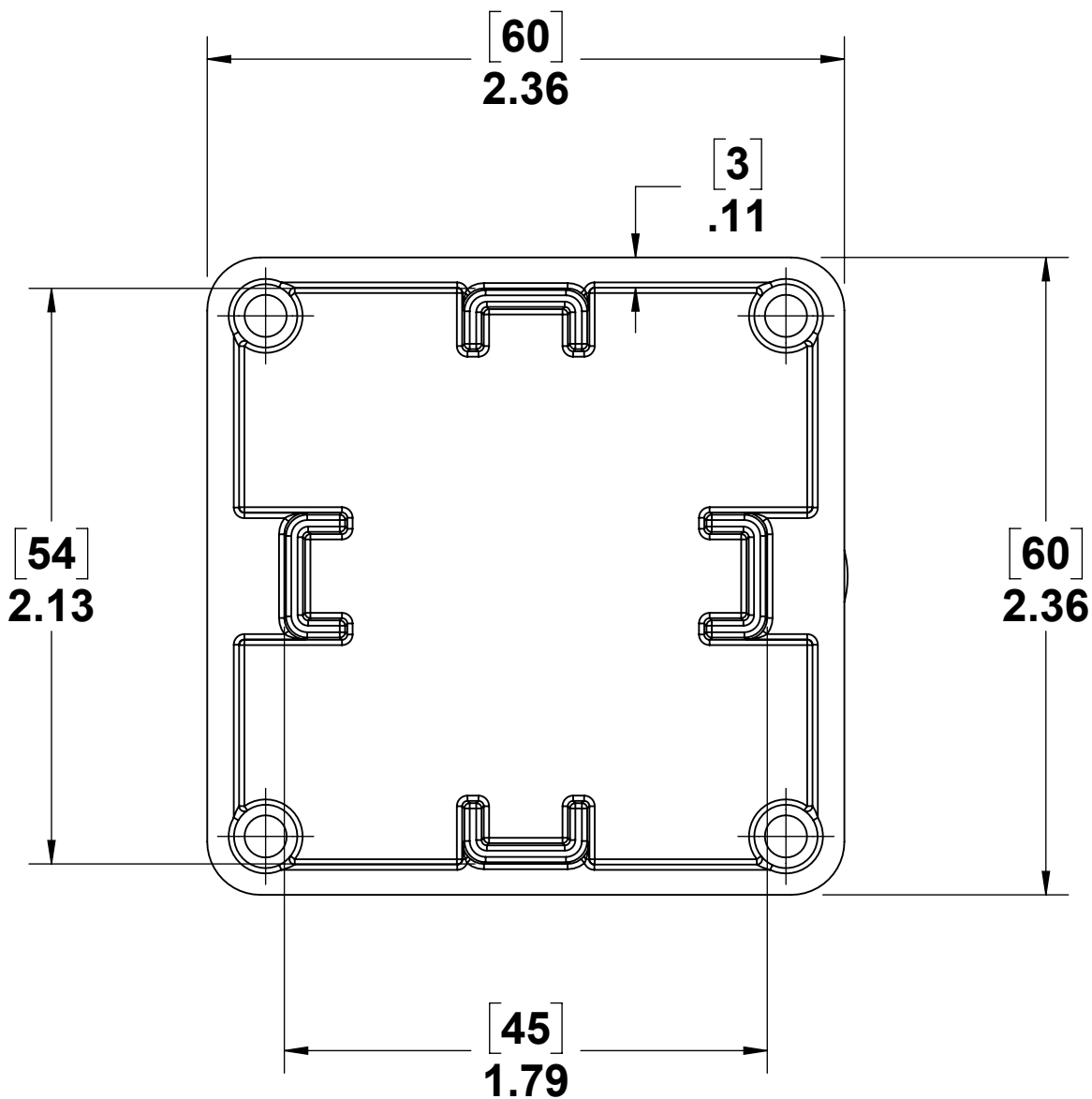
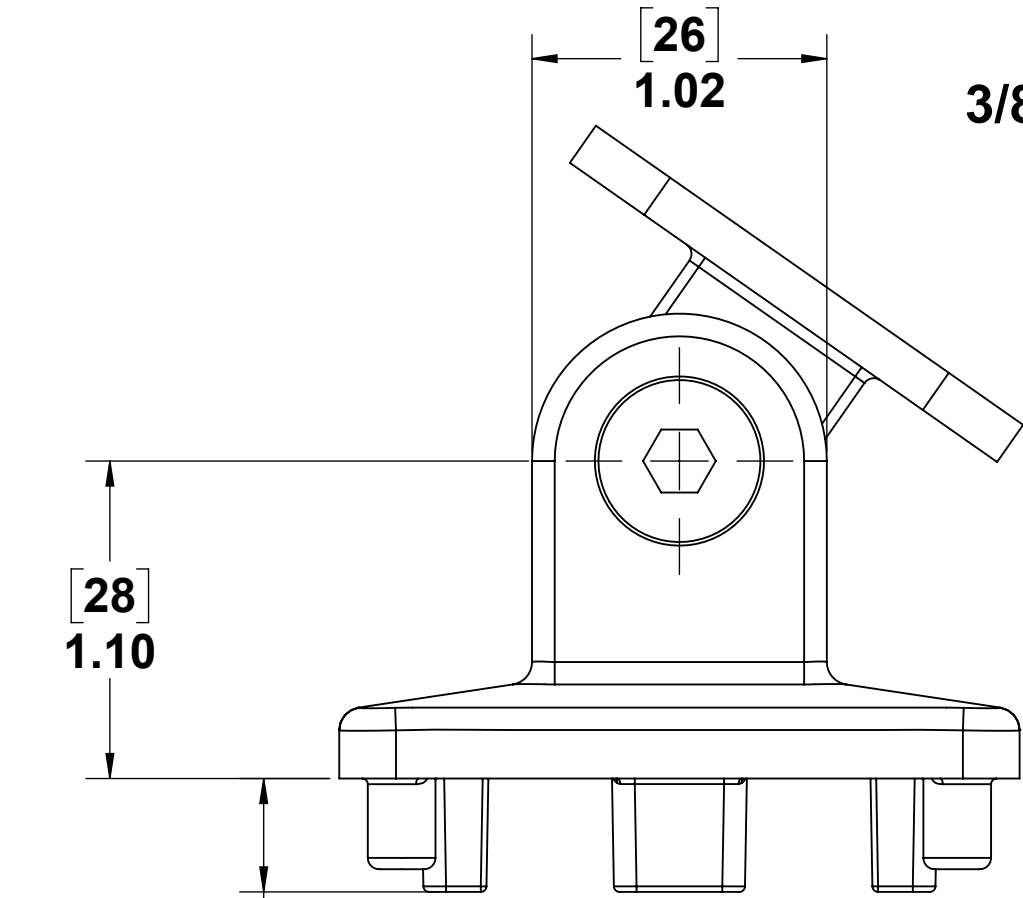
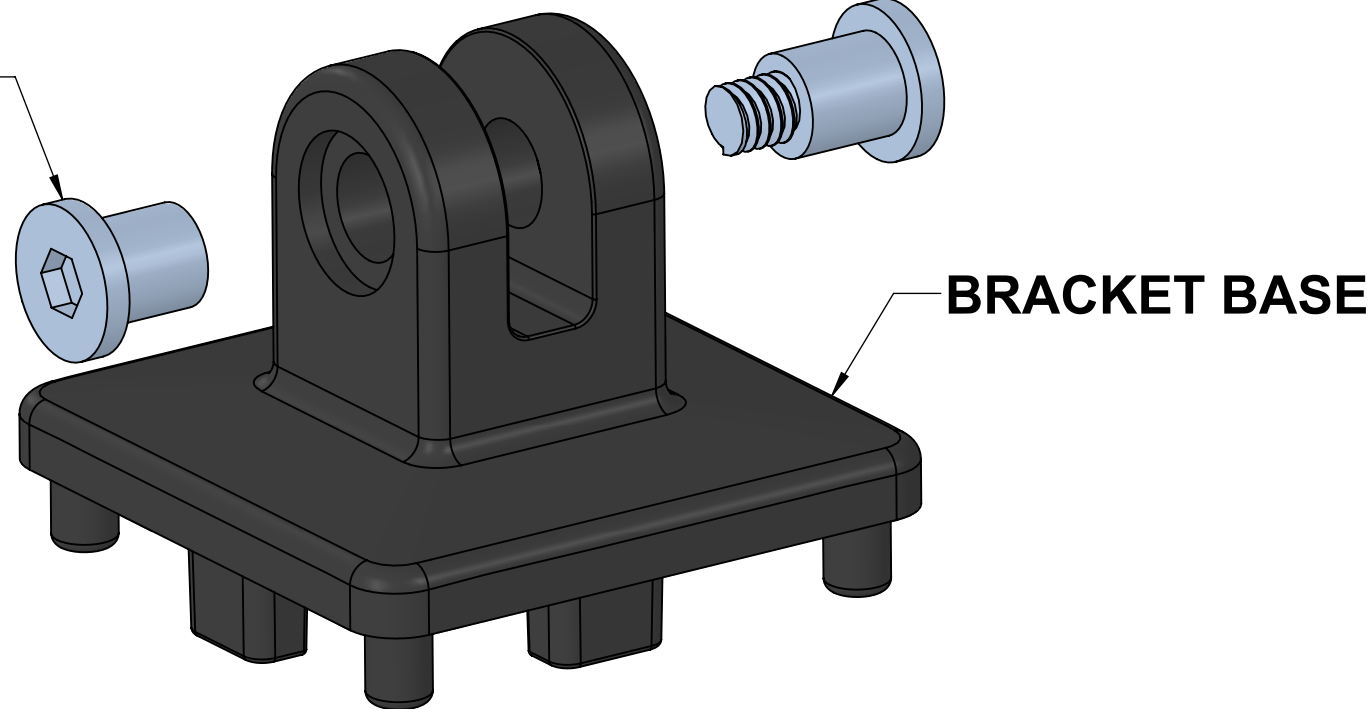
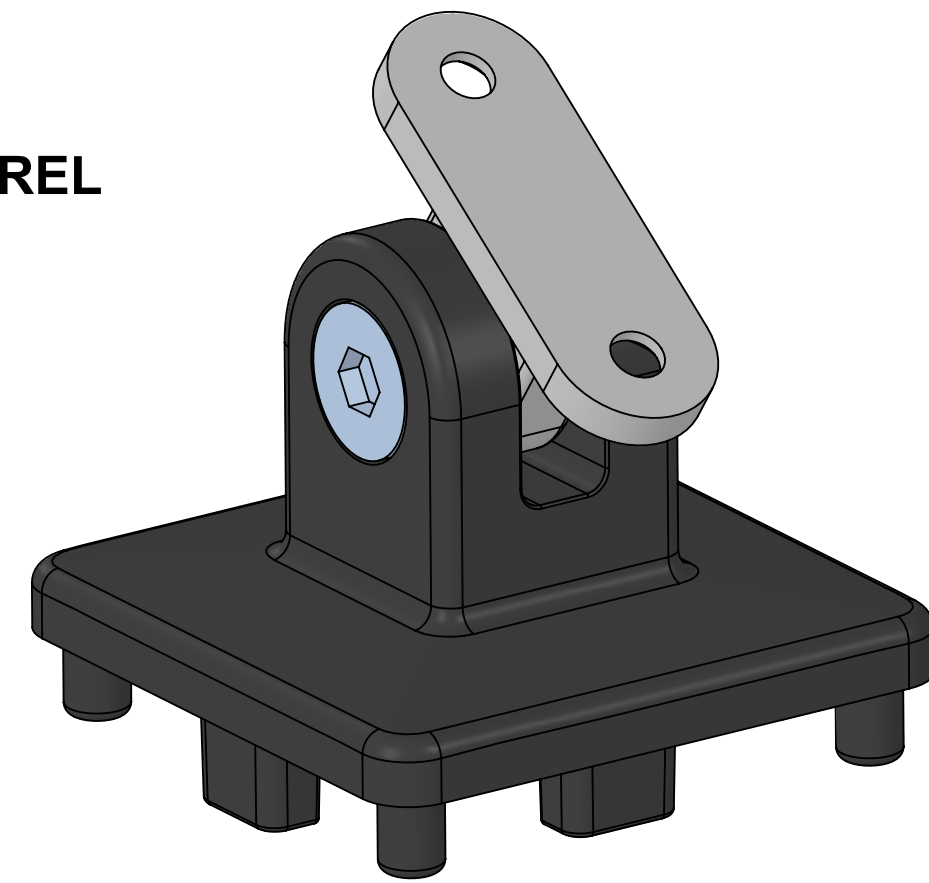
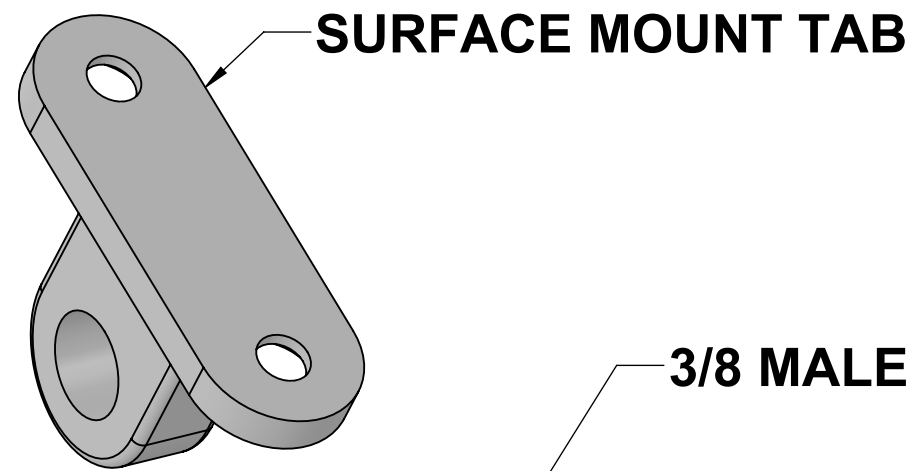
4

3

2

1

PART NUMBER	DESCRIPTION	QTY.
03-008-SBT	HANDRAIL SADDLE BRACKET-TERM	1
013589	SURFACE MOUNT TAB	1
013145	3/8 x .395 LG MALE BARREL	1
013121	3/8 x 3/4 LG FEMALE BARREL	1



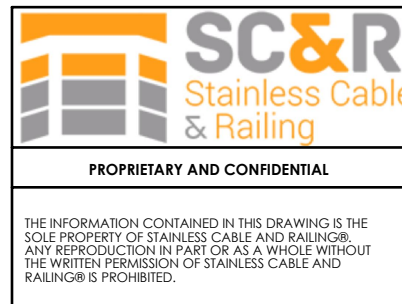
POST-TO-POST TOP RAIL

#10 x 3/4 FLAT HEAD SCREW

013671

TERMINAL POST

013671 INSTALLATION



NOTES: UNLESS OTHERWISE SPECIFIED

- DUAL DIMENSIONS SHOWN - INCHES [MM].
- MACHINED SURFACES TO BE 63µIN MAX.
- PART TO BE FREE OF BURRS AND SHARP EDGES.
- ALL MATERIAL TO BE CLEAN, DEGREASED AND FREE OF ALL IMPURITIES.
- ANY CHANGE MUST BE AUTHORIZED BY AN SC&R ENGINEER.

DIMENSIONS ARE IN INCHES	FRACTIONAL	±
ANGULAR: MACH		±
TWO PLACE DECIMAL		±
THREE PLACE DECIMAL		±
MATERIAL		
FINISH		

NAME	DATE
SCR	03/22/19
DRAWN	
ENG APPR.	
MFG APPR.	
COMMENTS:	

TITLE: SADDLE BRACKET - TERMINAL		
SIZE C	DWG. NO. 013671	REV 01
SCALE: 3:2	WEIGHT:	SHEET 1 OF 1

4

3

2

1