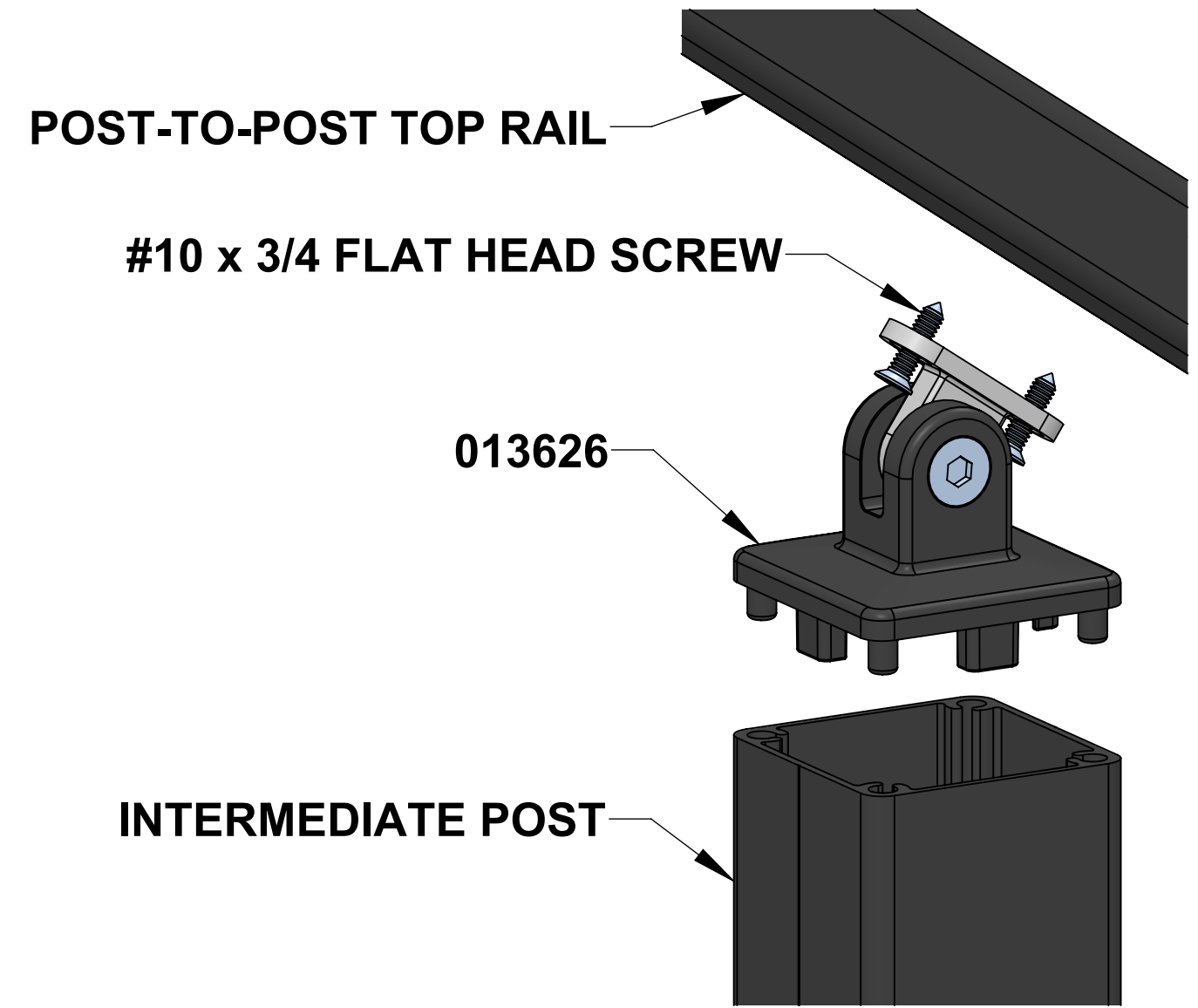
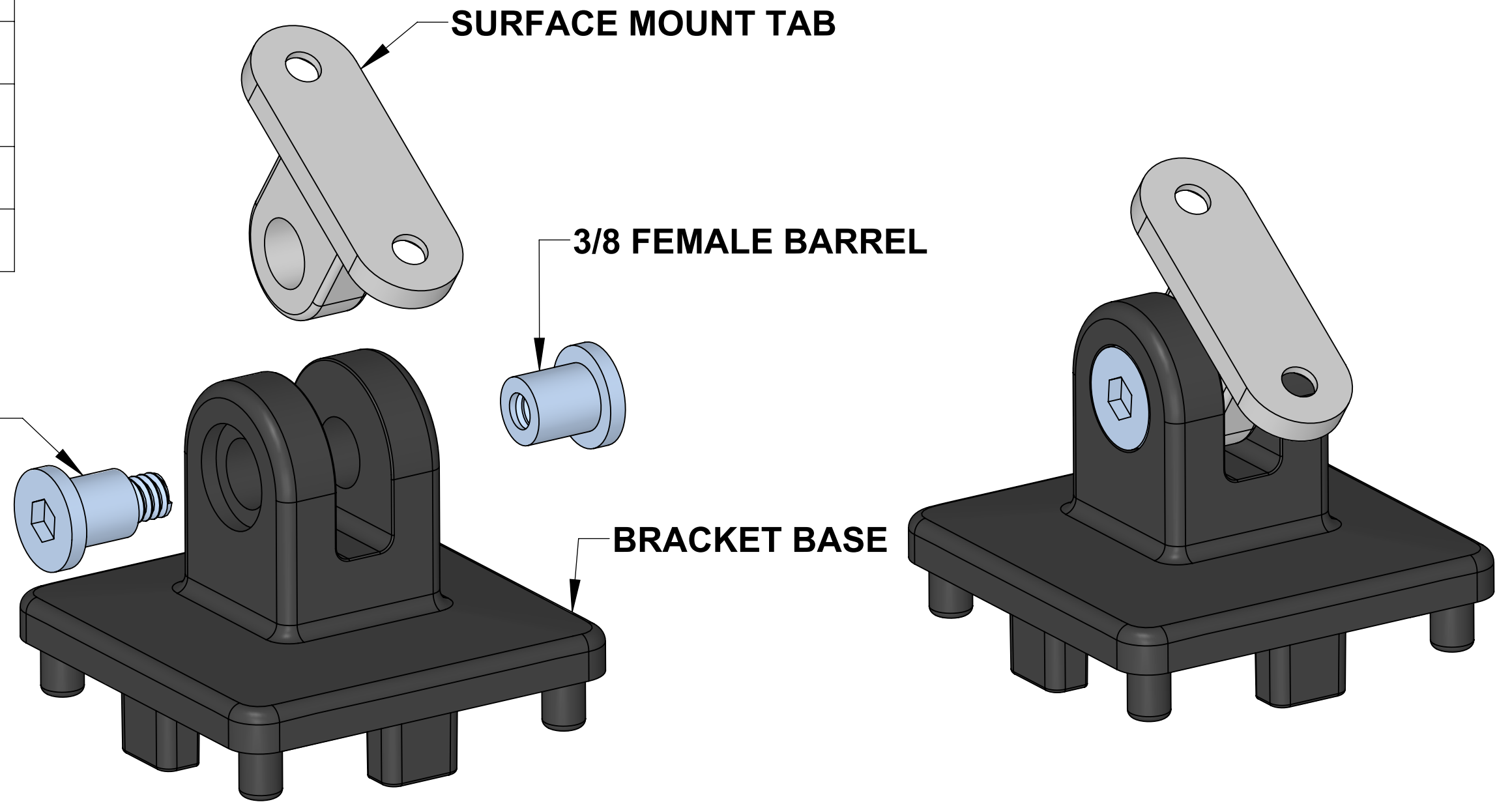
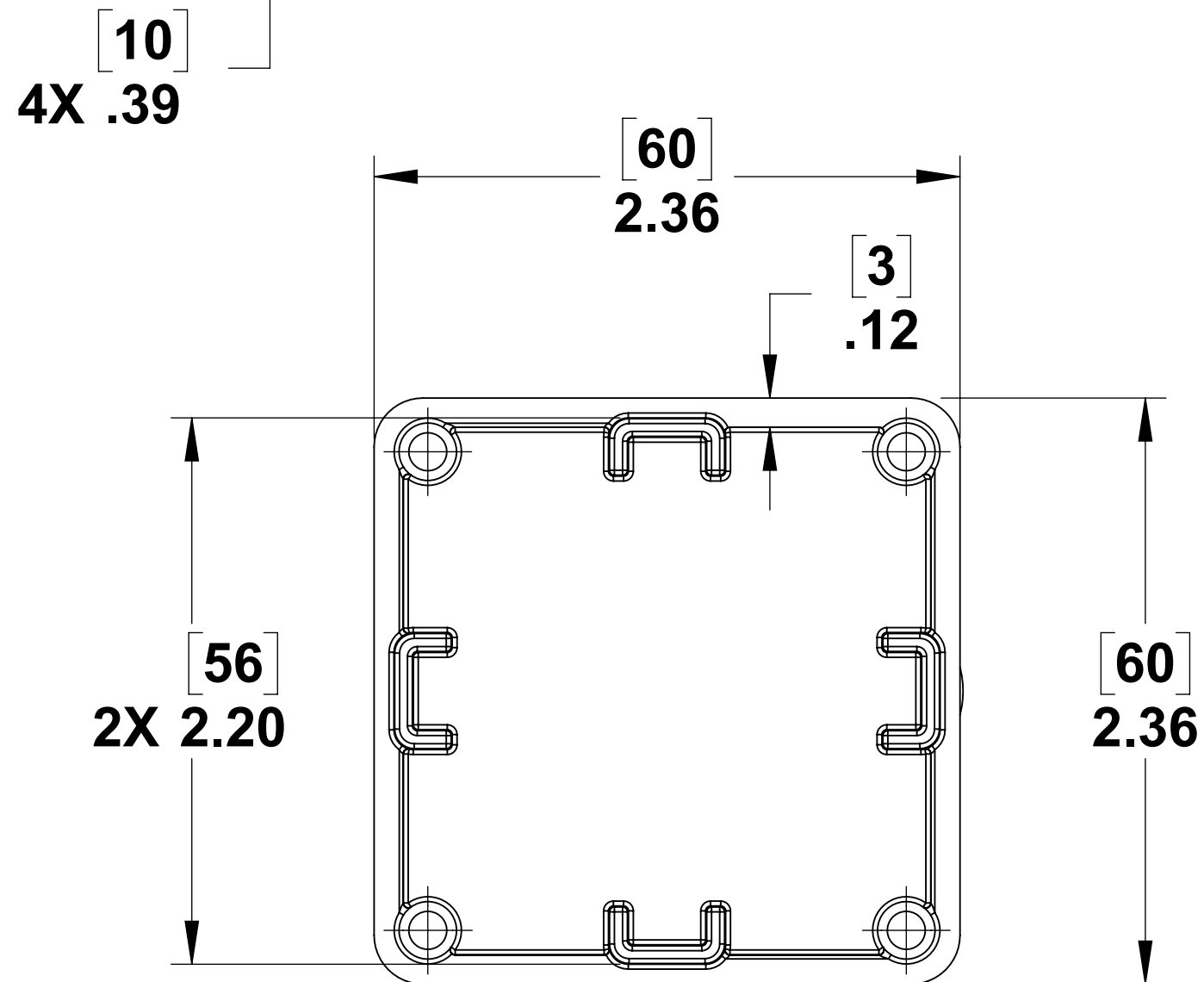
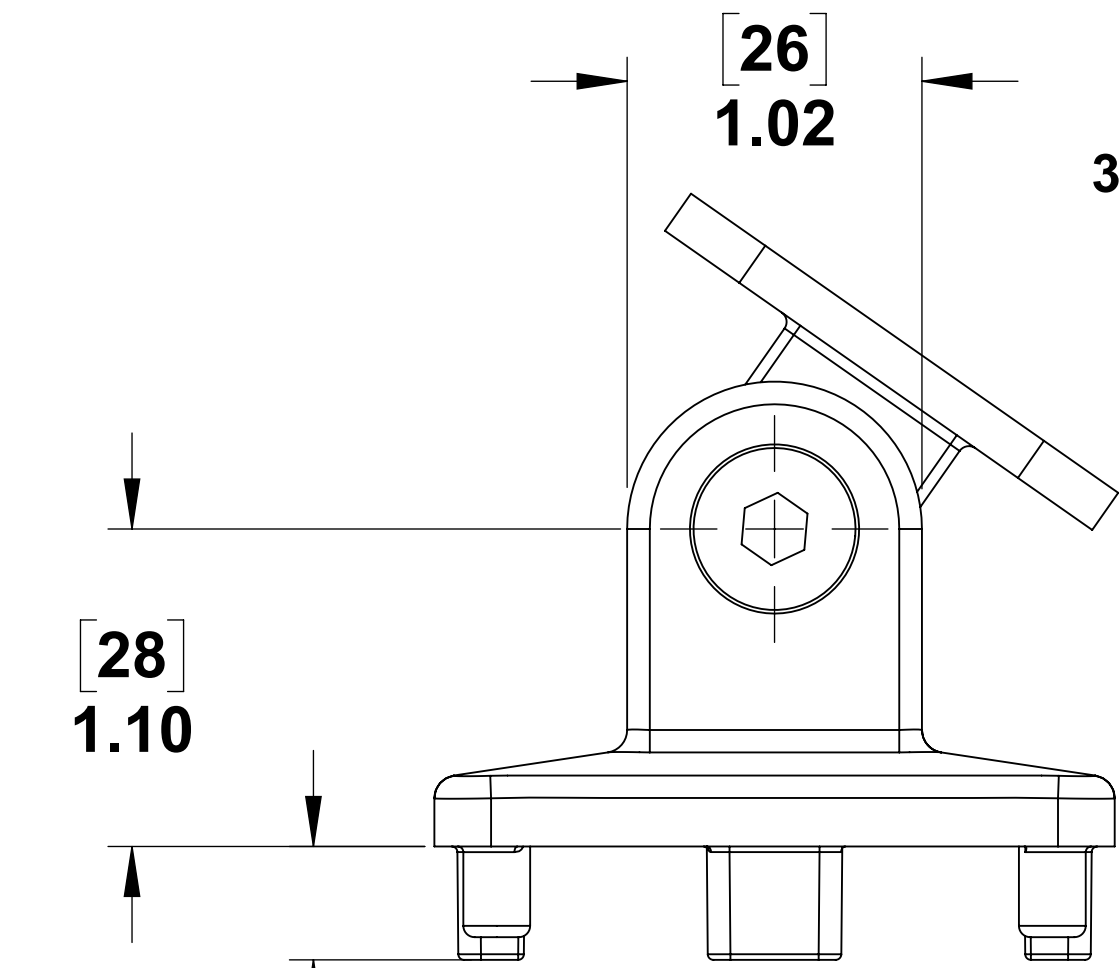


PART NUMBER	DESCRIPTION	QTY.
03-008-SBI	HANDRAIL SADDLE BRACKET-INT	1
013589	SURFACE MOUNT TAB	1
013121	3/8 x 3/4 LG FEMALE BARREL	1
013145	3/8 x .395 LG MALE BARREL	1



**013626 INSTALLATION**



PROPRIETARY AND CONFIDENTIAL  
THE INFORMATION CONTAINED IN THIS DRAWING IS THE SOLE PROPERTY OF STAINLESS CABLE AND RAILING. ANY REPRODUCTION IN PART OR AS A WHOLE WITHOUT THE WRITTEN PERMISSION OF STAINLESS CABLE AND RAILING IS PROHIBITED.

NOTES: UNLESS OTHERWISE SPECIFIED	
1. DUAL DIMENSIONS SHOWN - INCHES [MM].	DIMENSIONS ARE IN INCHES FRACTIONAL ±
2. MACHINED SURFACES TO BE 63µIN MAX.	ANGULAR: MACH ±
3. PART TO BE FREE OF BURRS AND SHARP EDGES.	TWO PLACE DECIMAL ±
4. ALL MATERIAL TO BE CLEAN, DEGREASED AND FREE OF ALL IMPURITIES.	THREE PLACE DECIMAL ±
5. ANY CHANGE MUST BE AUTHORIZED BY AN SC&R ENGINEER.	MATERIAL
	FINISH

NAME	DATE
SCR	03/22/19
ENG APPR.	
MFG APPR.	

TITLE:		
<b>SADDLE BRACKET - INTERMEDIATE</b>		
SIZE	DWG. NO.	REV
<b>C</b>	<b>013626</b>	<b>01</b>
SCALE: 3:2	WEIGHT:	SHEET 1 OF 1