

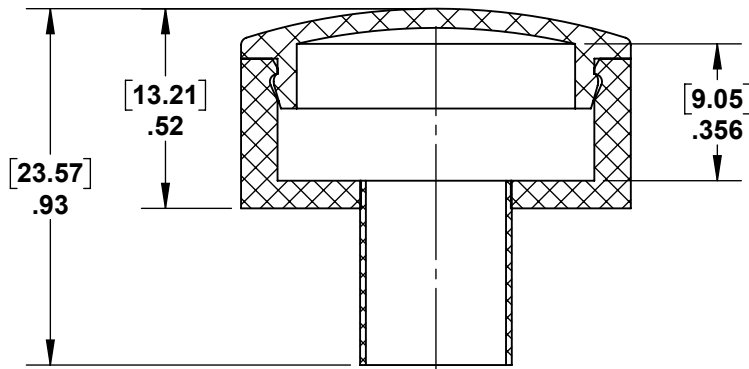
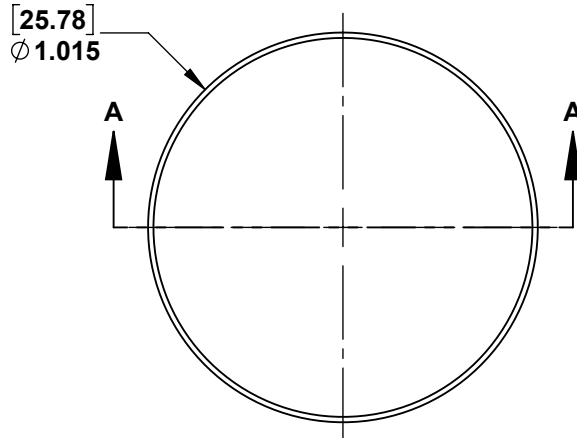
2

1

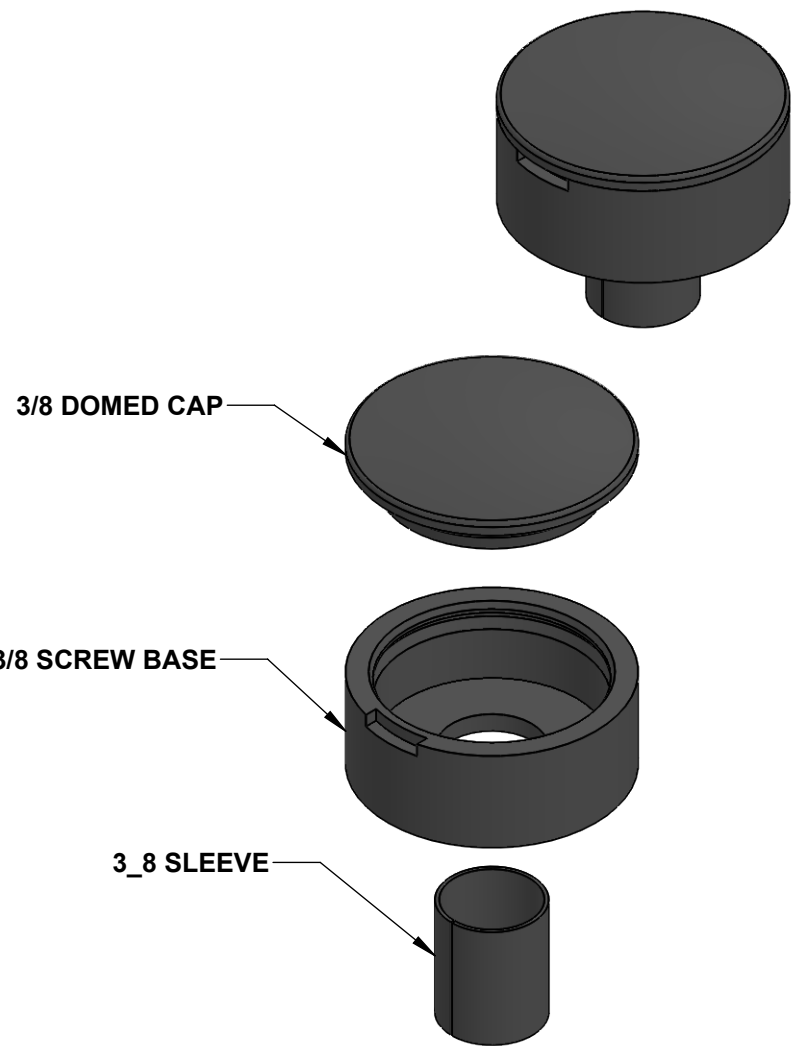
PART NUMBER	DESCRIPTION	QTY.
3_8 SCREW BASE 04-10-18	3/8 SCREW BASE	1
3_8 DOMED CAP 04-10-18	3/8 DOMED CAP	1
3_8 SLEEVE	3_8 SLEEVE	1

B

B



SECTION A-A



A

A



PROPRIETARY AND CONFIDENTIAL

THE INFORMATION CONTAINED IN THIS DRAWING IS THE SOLE PROPERTY OF STAINLESS CABLE AND RAILING®. ANY REPRODUCTION IN PART OR AS A WHOLE WITHOUT THE WRITTEN PERMISSION OF STAINLESS CABLE AND RAILING® IS PROHIBITED.

NOTES: UNLESS OTHERWISE SPECIFIED

- DIMENSIONS SHOWN - INCHES [MM].
- MACHINED SURFACES TO BE 63µIN MAX.
- PART TO BE FREE OF BURRS AND SHARP EDGES.
- ALL MATERIAL TO BE CLEAN, DEGREASED AND FREE OF ALL IMPURITIES.
- ANY CHANGE MUST BE AUTHORIZED BY AN SC&R ENGINEER.

DIMENSIONS ARE IN INCHES  
 FRACTIONAL ±  
 ANGULAR: MACH ±  
 TWO PLACE DECIMAL ±  
 THREE PLACE DECIMAL ±

MATERIAL

ASA

FINISH

	NAME	DATE
DRAWN	SCR	12/18/18
ENG APPR.		
MFG APPR.		

COMMENTS:

TITLE: <b>3/8 SCREW COVER</b>		
SIZE <b>A</b>	DWG. NO. <b>012971</b>	REV <b>01</b>
SCALE: 2:1	WEIGHT:	SHEET 1 OF 1

2

1