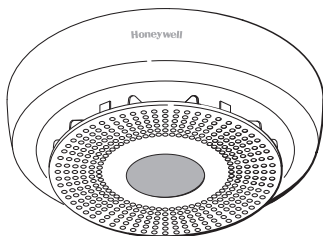
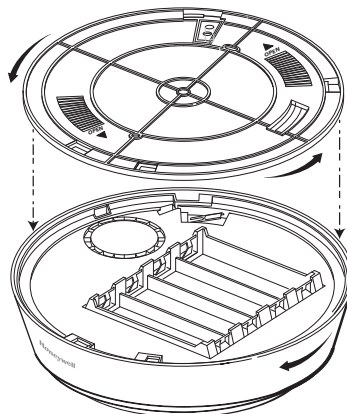


This wireless siren/strobe is intended for use with Honeywell controls that support SiX™ series devices.



SiXSIREN



OPEN

Gently twist the top of the Siren counterclockwise and the mounting bracket clockwise to separate them.

### Enroll

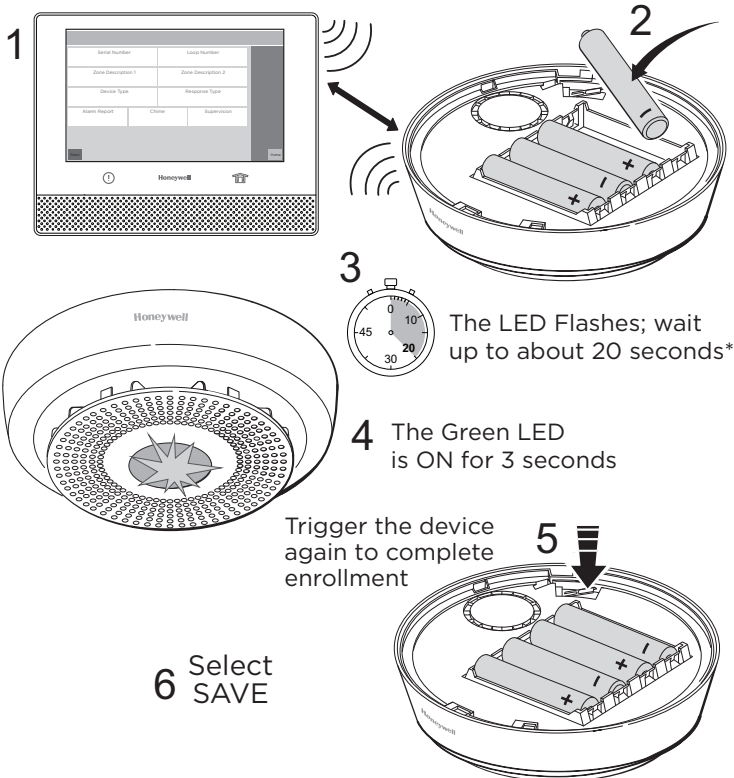
This device can be enrolled and programmed either before or after installation.

1. Set the *Lyric Controller* in Programming Mode and go to Zone Programming. Select Add New, then Serial Number. Follow the controller's instructions to begin enrollment.
2. Insert four 1.5V AA Lithium batteries (included) to activate the device and begin the enrollment process.
3. The Green LED flashes rapidly during enrollment (up to about 20 seconds\*)
  - \*NOTE: Enrollment time varies depending on the signal strength between the device and the controller.
  - The device sends its unique MAC ID address (Serial Number) and Services information to the controller.
  - The controller registers the device and displays the transmitter data on screen.
4. Enrollment is confirmed when the Green LED is ON for 3 seconds and the controller chirps once.
5. Trigger the device tamper switch again to complete enrollment and press SAVE.
6. The device did not enroll in the system if:
  - The White LED flashes, the system chirps and the device powers down.
  - The Green LED flashes rapidly when the device is removed from the mounting bracket (the tamper switch is triggered).

To restart the enrollment process, ensure the system is in programming mode and activate the tamper switch.

The device can also be manually enrolled. See the Controller's Programming Guide for details.

Programming Mode > Zones >  
Add New > Serial Number



**After enrolling, update the SiXSIREN firmware** (via the Controller) to ensure the latest version is used. See the Controller's instructions.

**NOTE:** Once enrolled in a system, the device cannot be used with another controller until it is removed from the current controller. See the Controller's instructions for details.

### Program the SiXSIREN

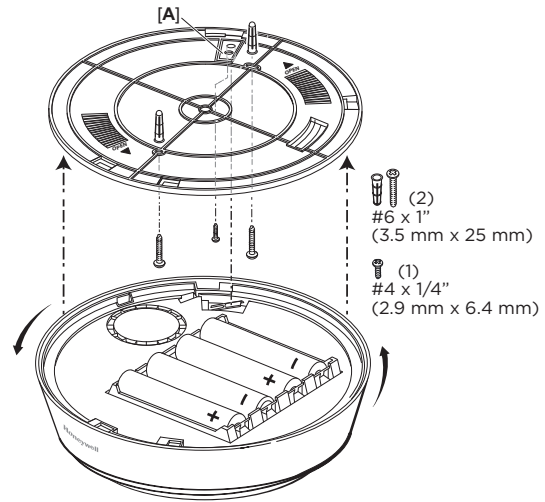
Consult the Controller's instructions for programming the device in the system.

## Mounting

**NOTE:** Before mounting the device permanently, conduct Go/No Go tests (see controller's instructions) to verify adequate signal strength and adjust the device location and orientation as necessary.

The SiXSIREN can be mounted on the wall or on the ceiling.

The rear tamper breakout [A] **MUST** be mounted to a stud, solid wood, or with a robust wall anchor.



## Test the SiXSIREN

The SiXSIREN should be tested immediately after installation and weekly. Activate Test Mode remotely from the Controller (see Controller's manual for details). **The product must be tested at least once a year.**

Test Mode tests the sounder and LED:

- Sounder – the Burglary warble tone will sound for 3 seconds.
- LED – the White LED strobe will flash for 15 seconds.

## SiXSIREN LEDs and Sounder

Refer to the table below for operation of the four bi-colored LEDs and an 85dB sounder.

LEDs

R = Red

○ = ON

☀ = Rapid Flash

G = Green

⊗ = Slow Flash

☀ = Strobe Flash

W = White

Sounders

🔊 = Chirp

🔊))) = Temporal Pulse 3

🔊))) = Burglary Warble

🔊))) = Temporal Pulse 4

R / W	G / W	Sounder	Status
	☀ <sub>G</sub> → ⊗ <sub>G</sub>	🔊	Power Up – Enrollment
	⊗ <sub>G</sub>	🔊	Power Up – Device enrolled
	⊗ <sub>G</sub>		System is Disarmed
⊗ <sub>R</sub>	Red ON for 20 seconds		System is Armed
☀ <sub>R</sub> / ☀ <sub>W</sub>	Alternating Red and White Flashing Strobe <sup>1</sup> (continues until the Alarm is cleared)	🔊)))	Smoke / Heat Alarm
		🔊)))	CO Alarm
☀ <sub>W</sub>	White Strobe Flashing	🔊)))	Burglary Alarm
⊗ <sub>R</sub>	Red flashes once every 45 seconds	🔊 <sup>2</sup>	Low Battery
	⊗ <sub>G</sub>		Tamper Activated

<sup>1</sup> Strobe flash = two flashes per second, then OFF for 1 second.

<sup>2</sup> It is best to replace the battery BEFORE the chirping begins. Once started, the sounder continues to chirp until batteries are replaced or die. See the Battery Replacement section.

## Battery Replacement

- Twist the front cover counterclockwise and separate it from the mounting bracket.
- Remove the batteries, wait 10 seconds and **insert four new batteries of the same type and brand.**

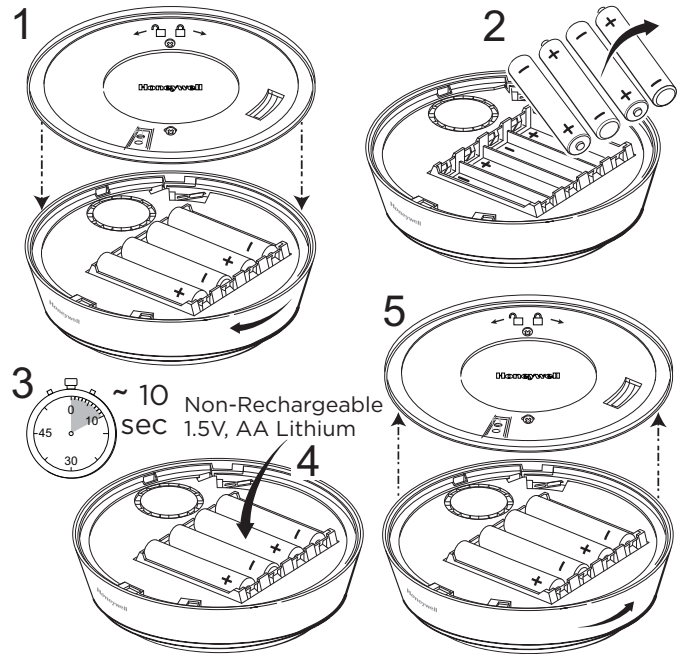
Recommended replacement batteries:

- 1.5V AA Lithium Batteries [Non-Rechargeable]
- AA Alkaline batteries can be used, but battery life will be significantly reduced.

**NOTE: Do not mix old and new batteries, battery types or manufacturers.**

- Reattach the front cover and twist clockwise to secure it in place.

**BATTERY CAUTION:** Risk of fire, explosion and burns. Do not recharge, disassemble, heat above 212 F (100 C) or incinerate. Dispose of used batteries properly. Keep away from children.



## Specifications:

**Range:** 300 feet nominal indoors (actual range determined by the system in TEST mode)

**Battery:** Four 1.5V, AA Lithium, Non-Rechargeable; Energizer E<sup>2</sup>, Honeywell 462

**Tamper:** Cover and Wall tamper

**RF Frequency:** 2.4GHz

**Input Voltage:** 3,3VDC

**Current:** 339 mA, Typical

**Siren Output Level:** 85 dB at 10 feet

**Operating Temperature:** 0° to 50° C / 32° to 122° F (Agency Compliance 32° to 120° F / 0° to 49° C)

**Relative Humidity:** 95% max. (Agency compliance – 93% max), non-condensing

**Dimensions:** 14.14 cm Diameter x 4.62 cm Thick / 5.5 in. Diameter x 1.8 in. Thick

## Approval Listings:

FCC / IC

cETLus Listed

Conforms to UL 985 /

UL 1023

Certified to ULC-S545 &

ULC/ORD-C1023

Other Standards:

RoHS



## FEDERAL COMMUNICATIONS COMMISSION & INDUSTRY CANADA STATEMENTS

The user shall not make any changes or modifications to the equipment unless authorized by the Installation Instructions or User's Manual. Unauthorized changes or modifications could void the user's authority to operate the equipment.

### FCC / IC STATEMENT

This device complies with Part 15 of the FCC Rules, and RSS-210 of Industry Canada. Operation is subject to the following two conditions: (1) This device may not cause harmful interference, and (2) This device must accept any interference received, including interference that may cause undesired operation.

Cet appareil est conforme à la partie 15 des règles de la FCC & de RSS-210 des Industries Canada. Son fonctionnement est soumis aux conditions suivantes: (1) Cet appareil ne doit pas causer d'interférences nuisibles. (2) Cet appareil doit accepter toute interférence reçue y compris les interférences causant une réception indésirable.

### RF EXPOSURE

**Warning** – The antenna(s) used for this device must be installed to provide a separation distance of at least 7.8 inches (20 cm) from all persons and must not be co-located or operating in conjunction with any other antenna or transmitter except in accordance with FCC multi-transmitter product procedures.

### MISE EN GARDE EXPOSITION AUX FREQUENCES RADIO

**Attention** : L'antenne (s) utilisée pour cet émetteur doit être installée à une distance de séparation d'au moins 7,8 pouces (20 cm) de toutes les personnes.

## SUPPORT & WARRANTY

REFER TO THE INSTALLATION INSTRUCTIONS FOR THE CONTROL WITH WHICH THIS DEVICE IS USED, FOR DETAILS REGARDING LIMITATIONS OF THE ENTIRE ALARM SYSTEM.

For the latest documentation and online support information, please go to:  
<https://mywebtech.honeywell.com/>

For the latest warranty information, please go to:  
[www.honeywell.com/security/hsc/resources/wa](http://www.honeywell.com/security/hsc/resources/wa).

For patent information, see [www.honeywell.com/patents](http://www.honeywell.com/patents)



MyWebTech



Warranty



Patents