

EZ-30-12 Weather Station Mounting Pole Kit



The EZ-30-12 mounting pole kit provides a stable weather station mounting solution, ideal for mounting to a vertical wall, chimney, eave, or fence post.

Ambient Weather pole mounting kit constructed of rust proof 10-steel tubing, galvanized using the Flo-Coat (zinc-chromate ploymer) for excellent corrosion proof protection.

Includes two horizontal mounting brackets and a support bracket.

We ship this item in two configurations depending on the item(s) on each order.

Configuration 1, most common: Includes three assemblable 14" x 1.25"-diameter masts. Add a mast extension (see below) to extend the pole an additional 35".

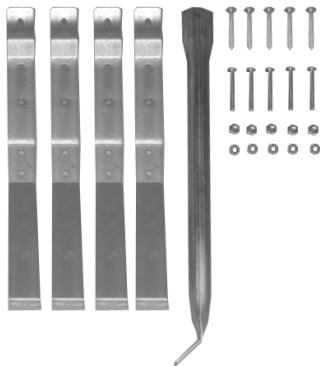
Configuration 2: Includes one 35" x 1.25"-diameter smooth mast. Add a mast extension (see below) to extend the pole an additional 35" per extension.

Anemometer pictured is not included.

Figure 1

Components

The EZ-30-12 Mounting pole assembly includes the following components:



1. Qty 4: 12" Mounting Assemblies
2. Qty 1: Support Bracket
3. Qty 5: Lag Screws
4. Qty 9: 7/16" Nuts
5. Qty 9: Bolts
6. Qty 9: Lock Washers

Tools and Materials Needed

- 7/16" deep socket or wrench
- Level or Plumb
- Electric drill with flat head screw tip

Important Installation Instructions

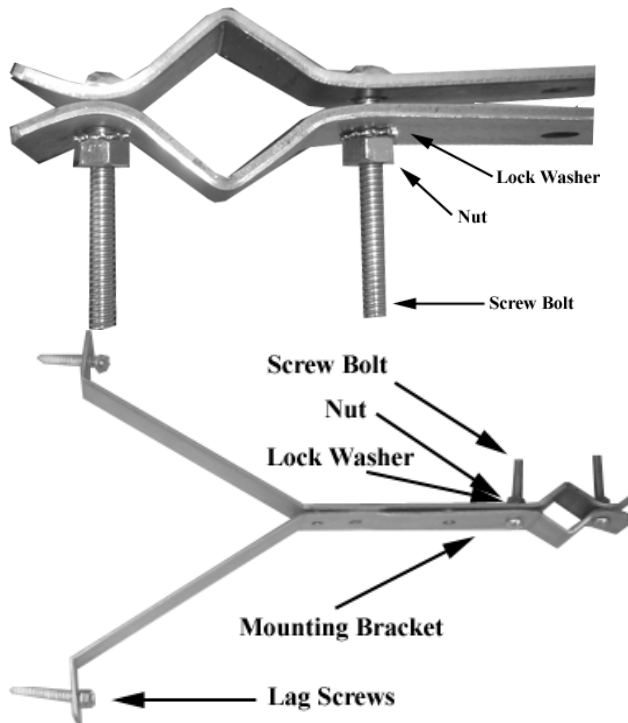
CAUTION: Any metal object may attract a lightning strike, including your weather station and tripod.

Never install your weather station in a thunderstorm.

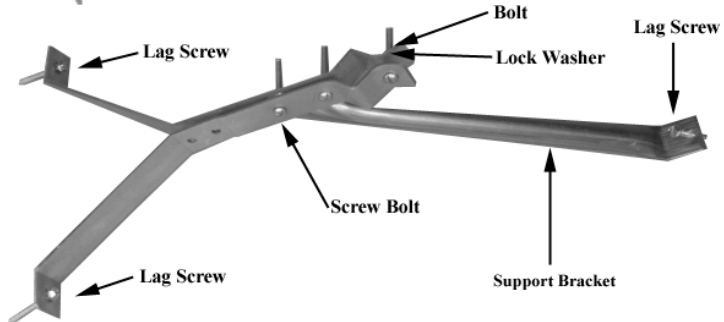
We recommend properly grounding the tripod to avoid extensive damage to the weather station and structure. Consult a licensed electrician or local lightning detection expert prior to installing a ground wire.

Installation

1. Assemble the top mounting bracket as shown in the diagram. Insert the screw bolt, lock washer and nut in each of the two bracket holes. Finger tighten.



2. Assemble the bottom mounting bracket as shown in the diagram. Insert the screw bolt, lock washer, and nut in each of the two bracket holes. Finger tighten.



Insert the support bracket as shown in the diagram. Insert the screw bolt, lock washer and nut in the two bracket holes. Finger tighten.

3. Mount the top and bottom bracket assemblies to the horizontal surface with the lag screws. Drill pilot holes to make sure the brackets are level. It is recommended the two brackets are at least 12" apart.

Mount the support bracket to the horizontal surface with the lag screws. Drill a pilot hole to make sure the bracket is level.

4. Insert the vertical pole into the mounting bracket, **if you received Configuration 1 see step 5 below**. Make sure the pole is level and tighten the brackets.



5. Reference the figure above. Insert one of the swaged ends into a smooth end and tighten, by applying rotational force (hand tight is usually enough), so the extension does not rotate loose when permanently installed.

Repeat this step for the second and third 14" mast. The entirely smooth 14" mast should be on the bottom of the assembly.



EZ-125-35M 35" Mast Extension (Optional)



Galvanized 1-1/4 inch (3.25 cm) O.D., 35 inch (89 cm) long steel post with one end crimped for insertion into another post of the same O.D.

Made of 18 gauge 1008-10 steel tubing, galvanized using the Flo-Coat (zinc-chromate-polymer) process for excellent corrosion protection.

Mast Extension Installation



Reference the figure above. Insert the swaged end of the mast extension into the mounting tripod mast and tighten so the extension does not rotate.

Repeat this step for additional mast extensions (maximum two is recommended).